

THIS DRAWING IS UNPUBLISHED. RELEASED FOR PUBLICATION ALL RIGHTS RESERVED. COPYRIGHT - By -

LOC	DIST	P	LTR	DESCRIPTION	DATE	DMN	APVD
-	-	A		FIRST RELEASE	03FEB2012	OL	SZ

6. MODULE INFORMATION

CONNECTOR	TYCD PART NUMBER	ELCON PART NUMBER	CATALOG MODULE #	QTY	SIZE IN.	CONTACT QTY	MATING PIN	MAX. CURRENT (PER CONTACT)	CONTACT SPACING	VOLTAGE RATING*	
PIN	1646690-2	279-0132-00100D	FP1105	8	8	8	125 X 700 [.049 X .276]	35 AMPERES	7.50 [1.2953]	250 VOLTS	
			FP1121	2	8	2	125 X 700 [.049 X .276]	35 AMPERES	12.00 [1.4724]	600 VOLTS	
			FP1122	1	8	1					
			FP1314	1	22	6	.64 [0.025] SQ.	3 AMPERES	2.50 [0.0984]	125 VOLTS	
			FP1302	1	22	24	.64 [0.025] SQ.	3 AMPERES	2.50 [0.0984]	125 VOLTS	
			FP1105	8	8	8	125 X 700 [.049 X .276]	35 AMPERES	7.50 [1.2953]	250 VOLTS	
			FP1121	2	8	2	125 X 700 [.049 X .276]	35 AMPERES	12.00 [1.4724]	600 VOLTS	
			FP1122	1	8	1					
			FP1314	1	22	6	.64 [0.025] SQ.	3 AMPERES	2.50 [0.0984]	125 VOLTS	
			FP1302	1	22	24	.64 [0.025] SQ.	3 AMPERES	2.50 [0.0984]	125 VOLTS	
PIN	1646690-3	279-0132-00300D	FP1121	2	8	2	125 X 700 [.049 X .276]	35 AMPERES	12.00 [1.4724]	600 VOLTS	
			FP1122	1	8	1					
			FP1314	1	22	6	.64 [0.025] SQ.	3 AMPERES	2.50 [0.0984]	125 VOLTS	

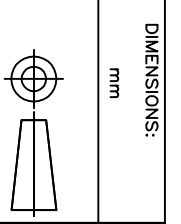
*IAW IEC-950

NOTES: UNLESS OTHERWISE SPECIFIED.

- PART NUMBER CHANGES AND OR DESIGN CHANGES AFFECTING ITEM INTERCHANGEABILITY REQUIRE PRIOR ELCON APPROVAL AND AUTHORIZATION BY REVISION TO THIS DRAWING.
- MATERIALS:
 - INSULATORS: THERMOPLASTIC, GLASS REINFORCED, COLOR BLACK. UL94V-0 FLAMMABILITY RATED.
 - SOLDER SIGNAL PIN: BRSSS ALLOY.
 - POWER CONTACTS: PHOSPHOR BRONZE ALLOY, COPPER ALLOY.
 - CROWN BANDS: BERYLLIUM COPPER ALLOY.
- FINISHES:
 - CONTACTS: GOLD PLATED PER MIL-G-45204 TYPE II, CLASS 0, .000030" MIN. THK, OVER NICKEL PER QQ-N-290, CLASS 2, .000040" MIN. THK, SOLDER TAILS, TIN PLATED .000100" MIN. THICK.
- ITEMS PROVIDED TO THIS SPECIFICATION TO BE PERMANENTLY IDENTIFIED PER THE FOLLOWING IDENTIFIER:
 - YEAR WEEK
 - ELCON PART NO. & REV DATE CODE (e.g. 0429)
 - XXX-XXXX-XXXXX [] XXXX
- THIS CONNECTOR MATES WITH SOCKET CONNECTOR PN 278-0132-00200

THIS DRAWING IS A CONTROLLED DOCUMENT.

DMN	ORANDO LI	03FEB2012	NAME	TE Connectivity	
CHK	SUNY ZHAO	-	APVD	PIN CONNECTOR FLATPAQ	
	SUNY ZHAO	-	PRODUCT SPEC	RIGHT ANGLE, SOLDER TAILS	
		-	APPLICATION SPEC	PN:279-0132-00*00D	
		-	WEIGHT	SIZE	RESTRICTED TO
		-		A300779	
		-	CUSTOMER DRAWING	CAGE CODE	DRAWING NO
		-		G=6646690	
		-	SCALE	1:1	SHEET
		-		1	OF 4
		-			REV
		-			A



TOLERANCES UNLESS OTHERWISE SPECIFIED:
 ± .05
 ± 0.25
 ± .5

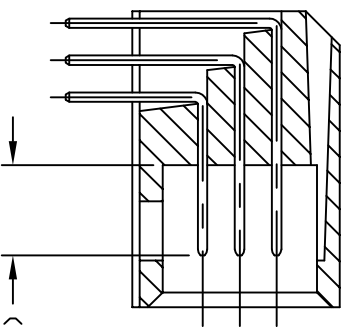
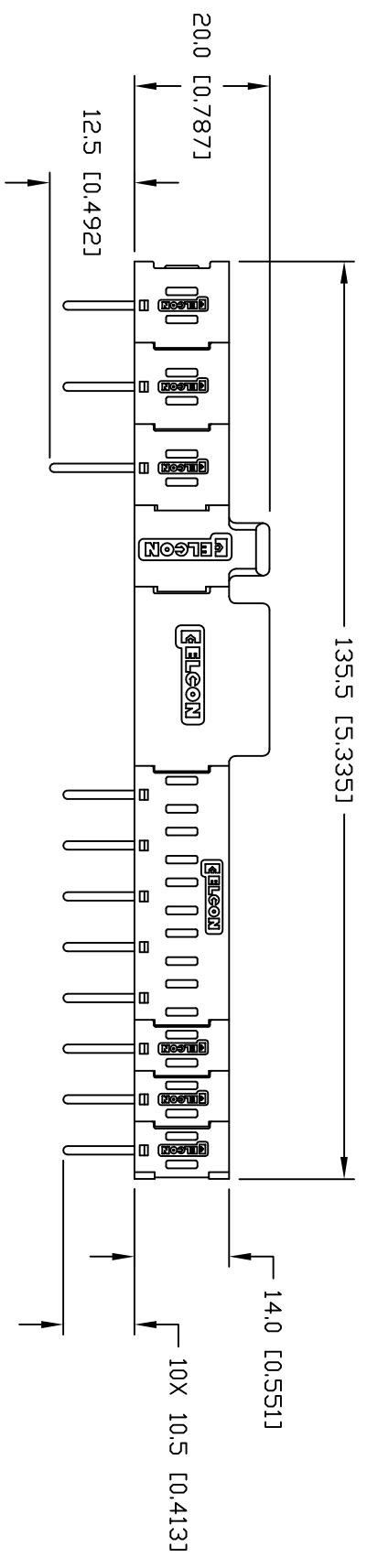
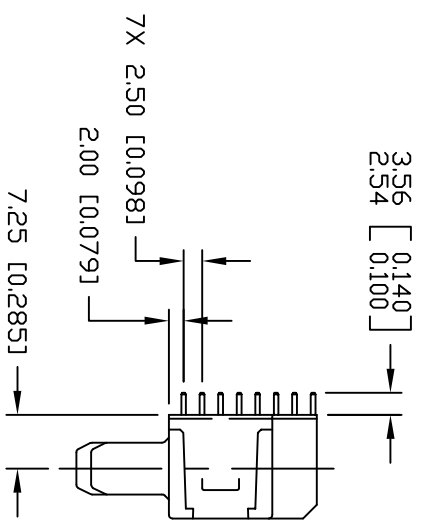
THIS DRAWING IS UNPUBLISHED.

RELEASED FOR PUBLICATION
ALL RIGHTS RESERVED.

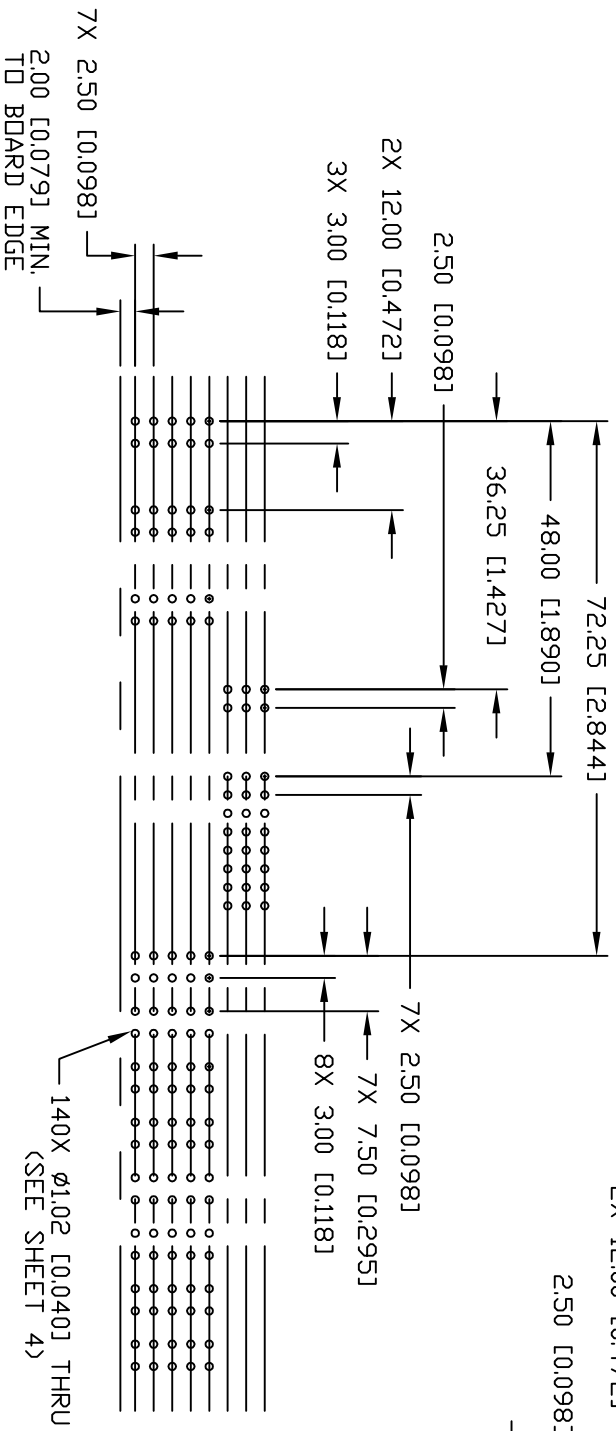
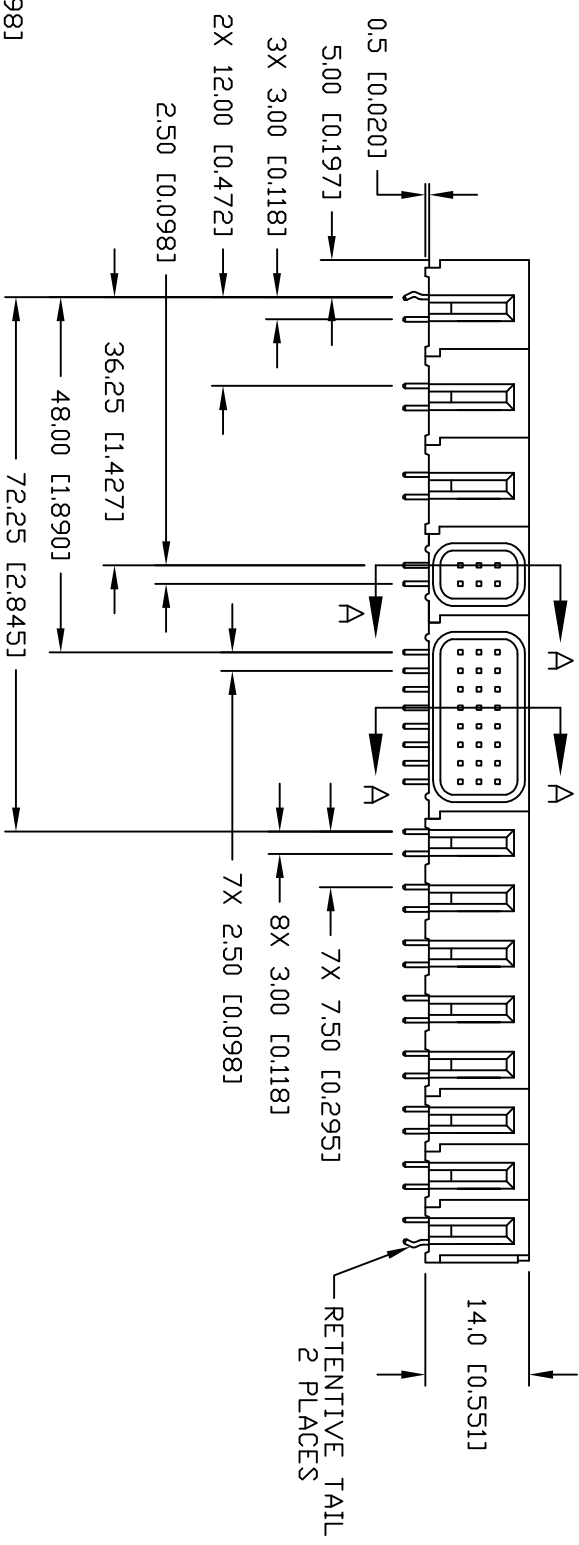
© COPYRIGHT - By -

REVISIONS

LOC	DIST	P	LTR	DESCRIPTION	DATE	DWN	APVD
-	-	-	-	SEE SHEET 1	-	-	-



SECTION A-A



PRINTED CIRCUIT LAYOUT

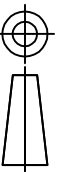
THIS DRAWING IS A CONTROLLED DOCUMENT.

DIMENSIONS: mm

TOLERANCES UNLESS OTHERWISE SPECIFIED:

0	PLC	±	-
1	PLC	±	0.5
2	PLC	±	0.25
3	PLC	±	-
4	PLC ANGLES	±	5

MATERIAL



DWN ORANDO LI 03FEB2012

CHK SUNY ZHAO

APVD SUNY ZHAO

PRODUCT SPEC

APPLICATION SPEC

WEIGHT

STE TE Connectivity

NAME

PIN CONNECTOR FLATPAQ
RIGHT ANGLE, SOLDER TAILS
PN:279-0132-00*00D

SIZE CAGE CODE DRAWING NO

A3 00779 6646690

RESTRICTED TO

CUSTOMER DRAWING

SCALE 1:1 SHEET 2 OF 4 REV A

THIS DRAWING IS UNPUBLISHED.

RELEASED FOR PUBLICATION
ALL RIGHTS RESERVED.

LOC DIST

P LTR

SEE SHEET 1

REVISIONS

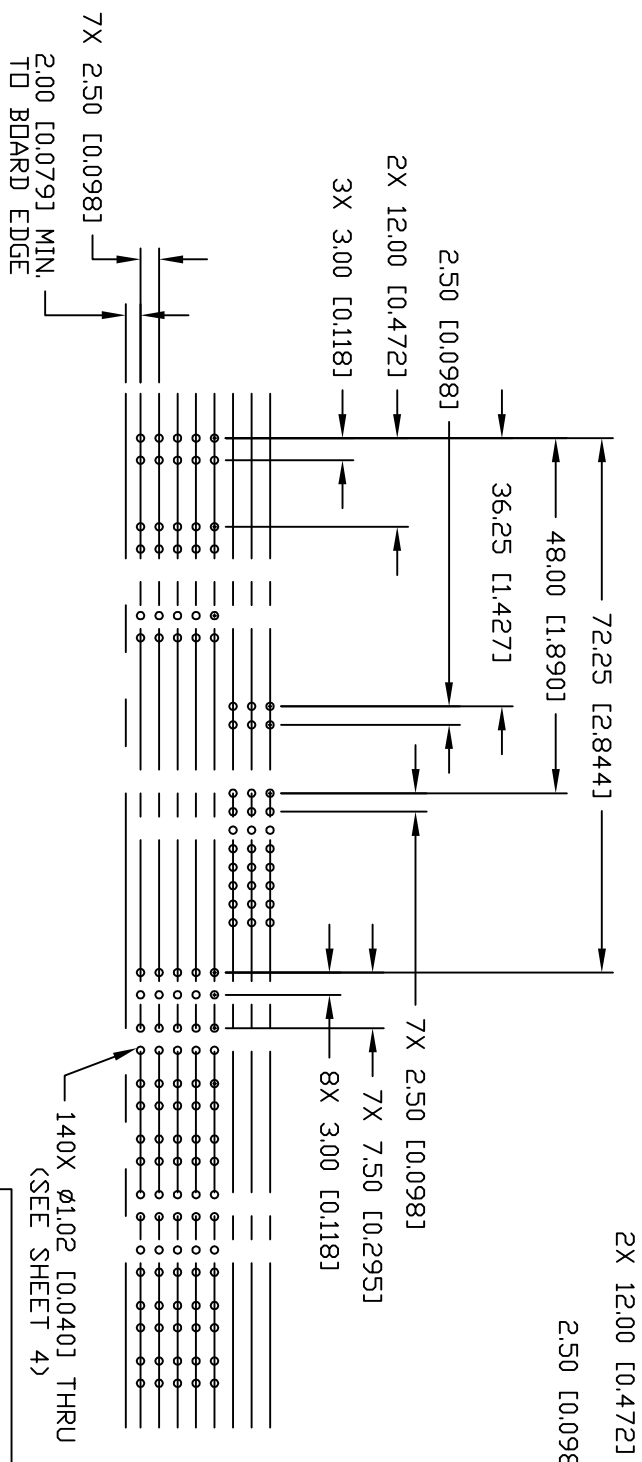
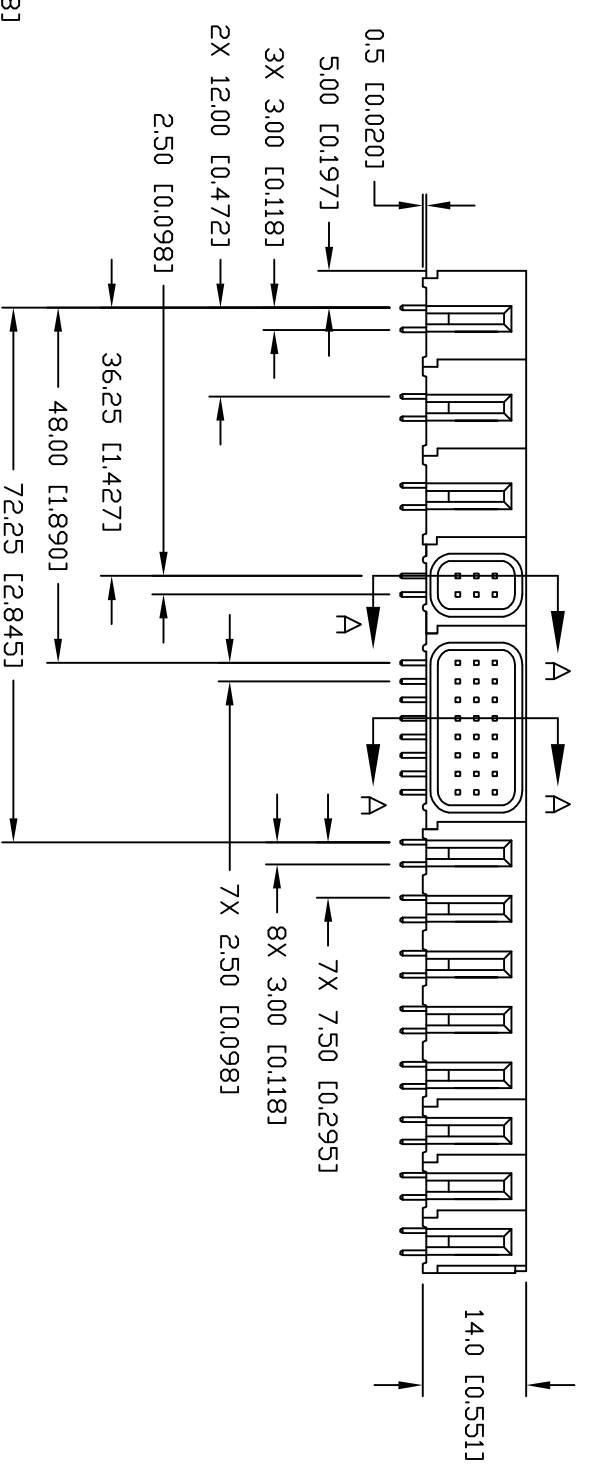
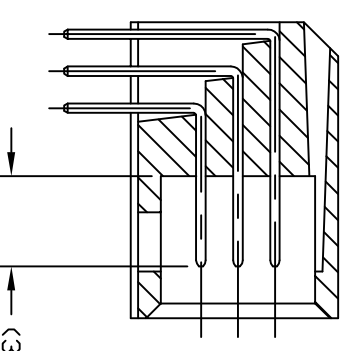
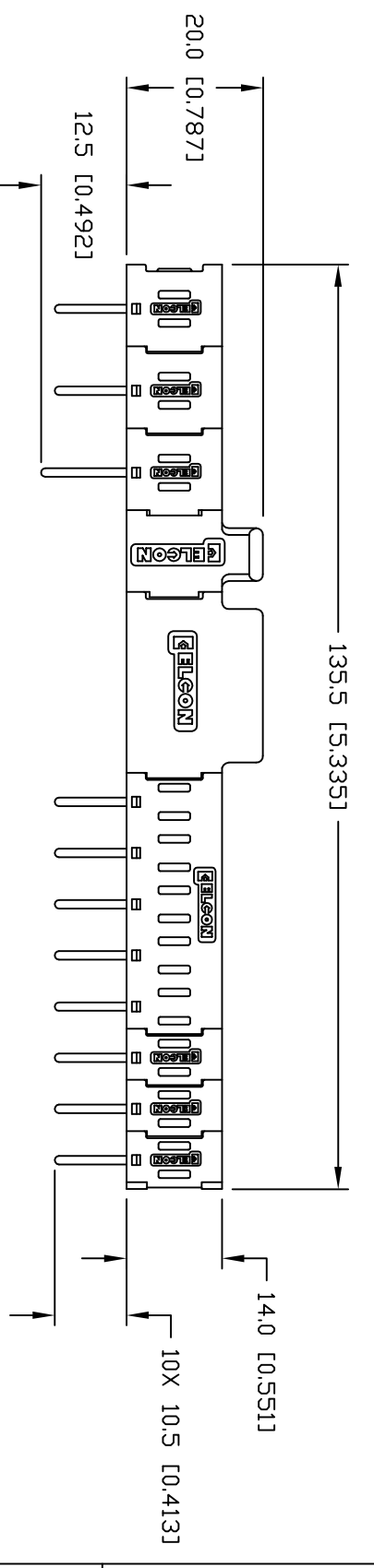
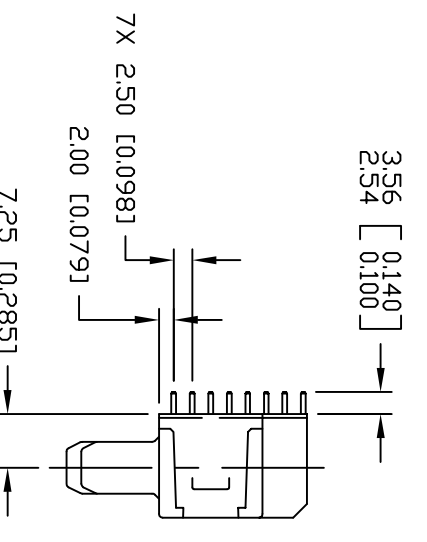
DESCRIPTION

DATE

DWN

APVD

© COPYRIGHT - By -



PRINTED CIRCUIT LAYOUT

THIS DRAWING IS A CONTROLLED DOCUMENT.

DIMENSIONS:

mm

TOLERANCES UNLESS OTHERWISE SPECIFIED:

- 0 PLC ± -
- 1 PLC ± 0.5
- 2 PLC ± 0.25
- 3 PLC ± -
- 4 PLC ± 5

MATERIAL

-

FINISH

-

DWN ORANDO LI 03FEB2012

CHK SUNY ZHAO

APVD SUNY ZHAO

PRODUCT SPEC

APPLICATION SPEC

WEIGHT

-



TE Connectivity

NAME

PIN CONNECTOR FLATPAQ
RIGHT ANGLE, SOLDER TAILS
PN:279-0132-00*00D

SIZE

A3 00779

CAGE CODE

6646690

DRAWING NO

6646690

RESTRICTED TO

-

CUSTOMER DRAWING

SCALE 1:1

SHEET 3 of 4

REV A

THIS DRAWING IS UNPUBLISHED.

RELEASED FOR PUBLICATION
ALL RIGHTS RESERVED.

-. - .

LOC DIST

REVISIONS

© COPYRIGHT - By -

P LTR

DESCRIPTION

DATE

DWN

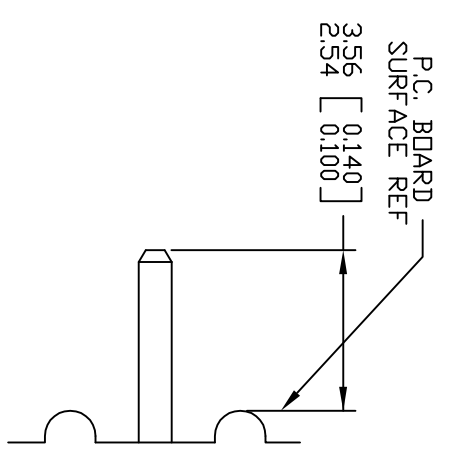
APVD

SEE SHEET 1

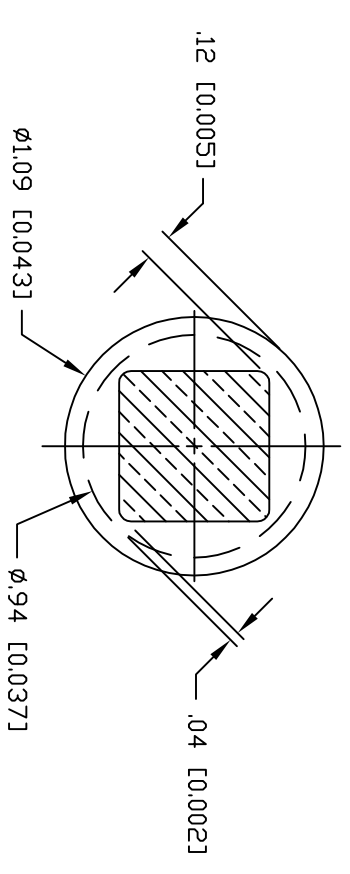
-

-

-



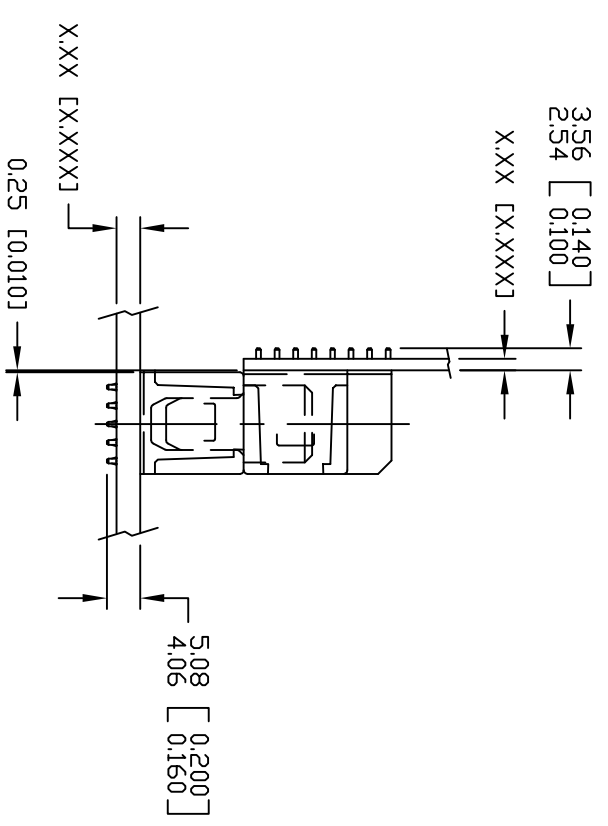
SOLDER PIN DETAIL



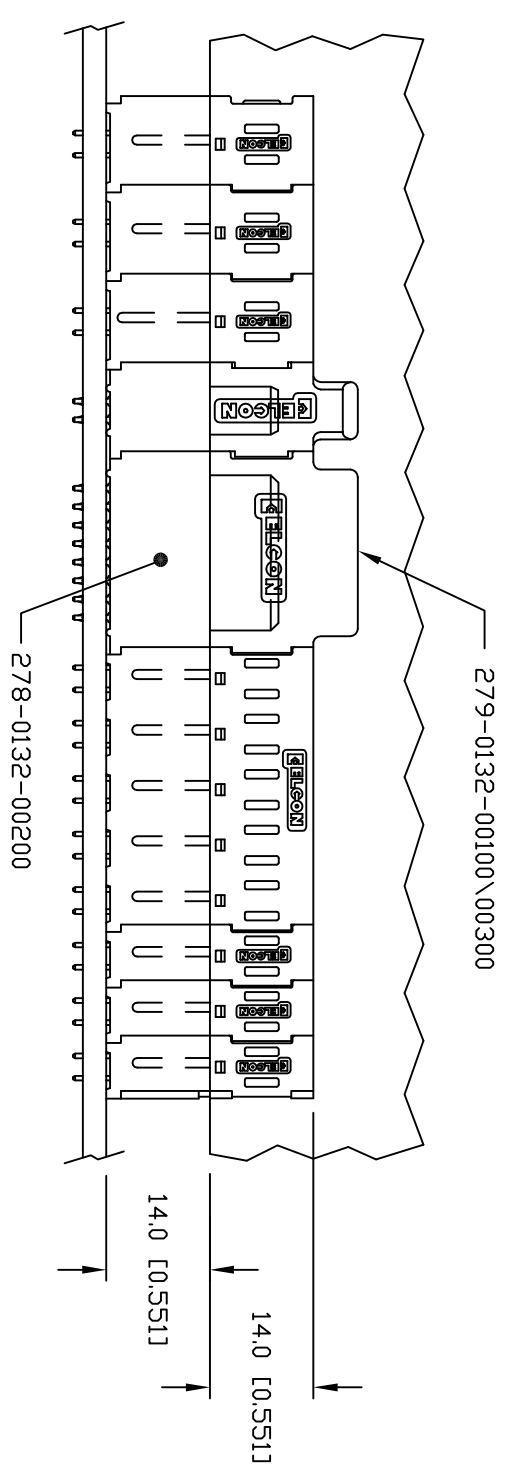
SOLDER TERMINATION AREA

RECOMMENDED PRINTED CIRCUIT HOLE

FINISHED HOLE: $\phi 1.02$ [0.40] ± 0.08 [0.03]
 DRILLED HOLE: $\phi 1.15$ [0.453] ± 0.13 [0.0051]
 COPPER PLATE: .025 [0.010] MINIMUM (PER SURFACE)
 TIN PLATE: .008 [0.0003] MINIMUM (PER SURFACE)



MATED CONDITION

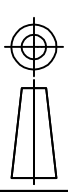


THIS DRAWING IS A CONTROLLED DOCUMENT.

DIMENSIONS: mm

TOLERANCES UNLESS OTHERWISE SPECIFIED:

0	PLC	$\pm .$
1	PLC	± 0.5
2	PLC	± 0.25
3	PLC	$\pm .$
4	PLC ANGLES	$\pm .$
	FINISH	± 5



MATERIAL

DWN ORANDO LI 03FEB2012

CHK SUNY ZHAO

APVD SUNY ZHAO

PRODUCT SPEC

APPLICATION SPEC

WEIGHT

CUSTOMER DRAWING



TE Connectivity

NAME

PIN CONNECTOR FLATPAQ
 RIGHT ANGLE, SOLDER TAILS
 PN:279-0132-00*00D

SIZE

A3

CAGE CODE

300779

DRAWING NO

6646690

RESTRICTED TO

-

SCALE

1:1

SHEET

4

OF 4

4

REV

A