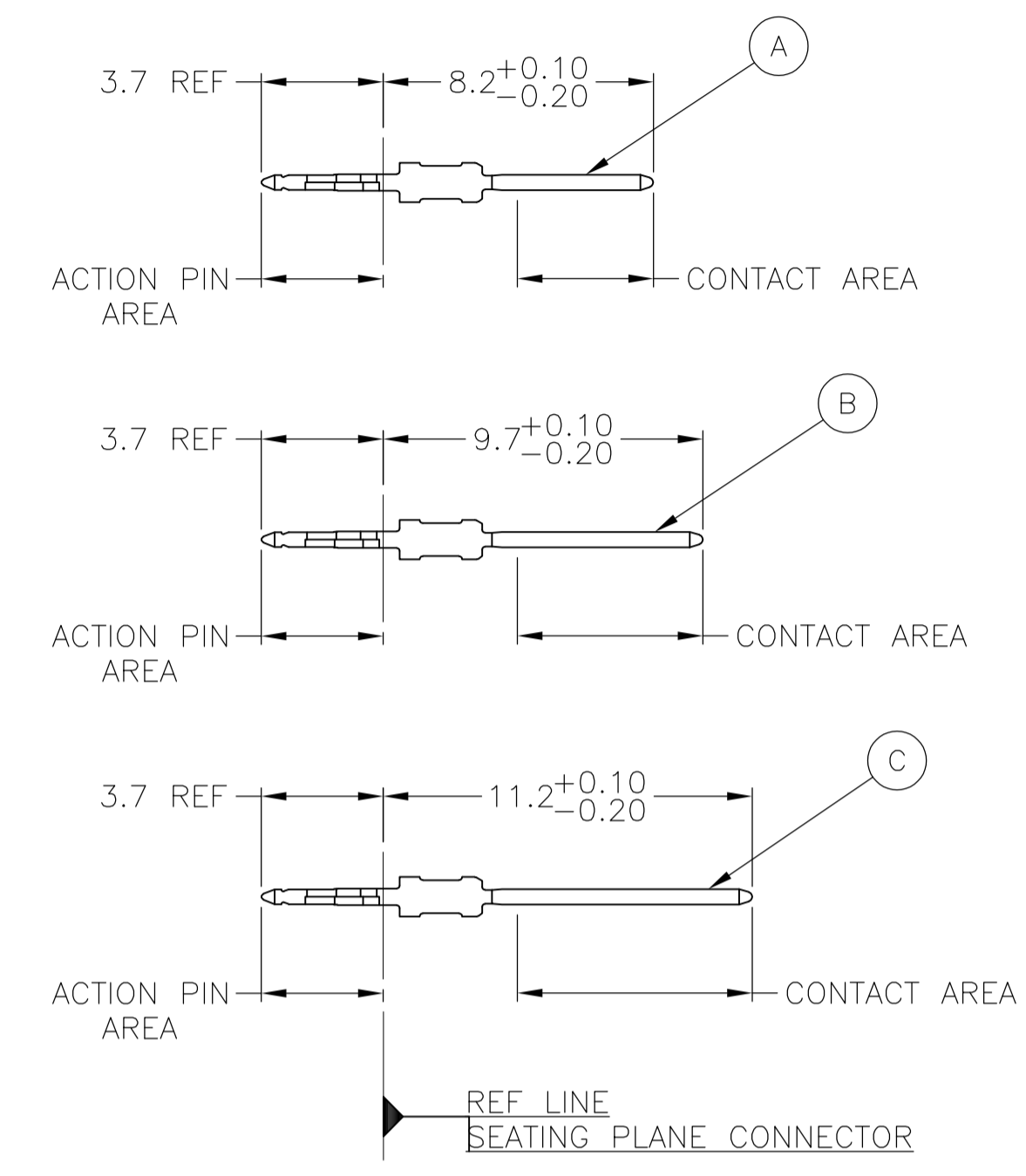


### CONTACT DIMENSIONS

SCALE 5:1



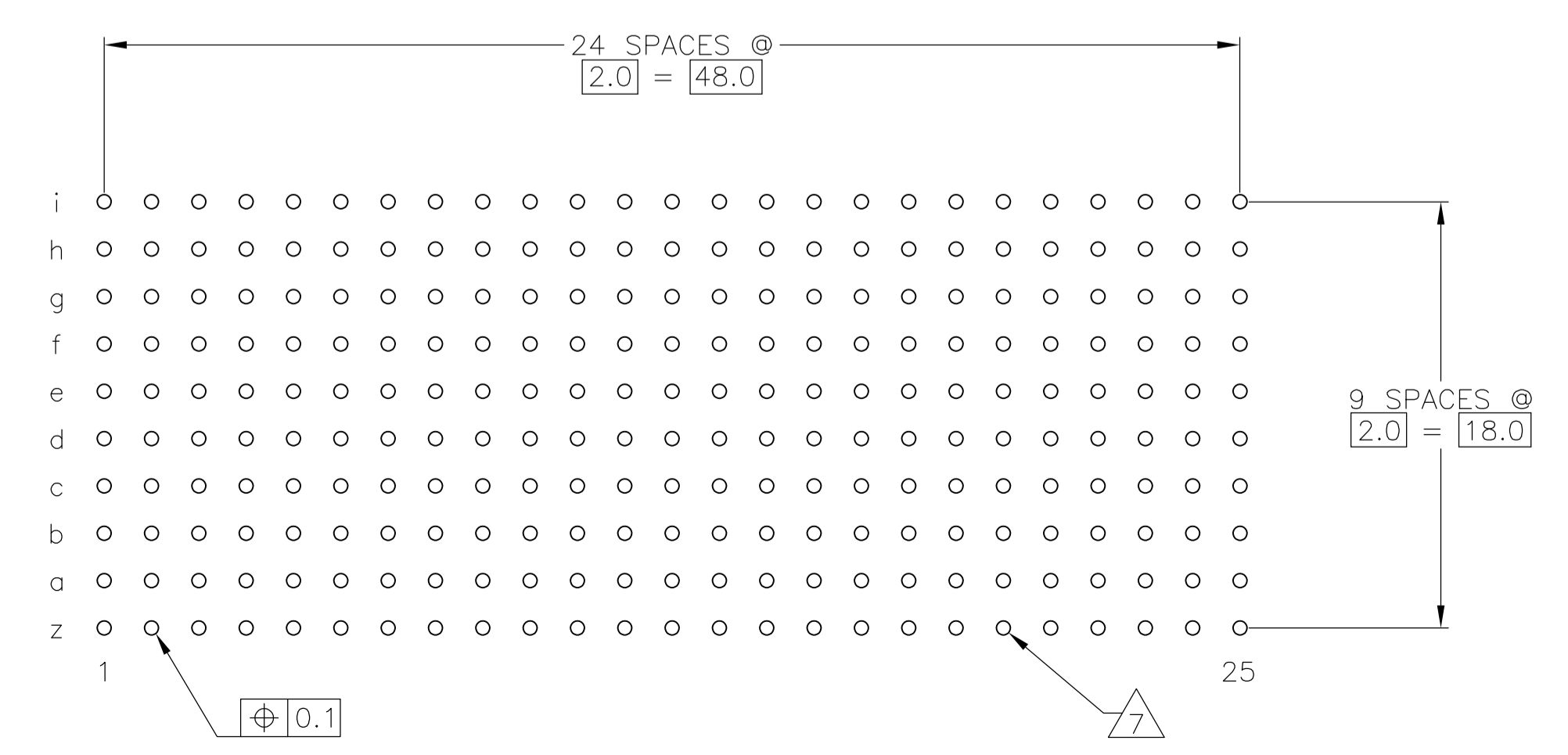
### CONTACT LAYOUT

	z	a	b	c	d	e	f	g	h	i
1	C	B	B	B	B	B	B	B	B	C
2	C	B	B	B	B	B	B	B	B	C
3	C	B	B	B	B	B	B	B	B	C
4	C	C	B	B	B	B	B	B	B	C
5	C	B	B	B	B	B	B	B	B	C
6	C	B	B	B	B	B	B	B	B	C
7	C	B	B	B	B	B	B	B	B	C
8	C	C	B	B	B	B	B	B	B	C
9	C	B	B	B	B	B	B	B	B	C
10	C	B	B	B	B	B	B	B	B	C
11	C	A	B	B	B	B	B	B	B	C
12	C	C	B	B	B	B	B	B	B	C
13	C	B	B	B	B	B	B	B	B	C
14	C	B	B	B	B	B	B	B	B	C
15	C	A	B	B	B	B	B	B	B	C
16	C	C	B	B	B	B	B	B	B	C
17	C	B	B	B	B	B	B	B	B	C
18	C	B	B	B	B	B	B	B	B	C
19	C	B	B	B	B	B	B	B	B	C
20	C	B	B	B	B	B	B	B	B	C
21	C	B	B	B	B	B	B	B	B	C
22	C	B	B	B	B	B	B	B	B	C
23	C	B	B	B	B	B	B	B	B	C
24	C	B	B	B	B	B	B	B	B	C
25	C	B	B	B	B	B	B	B	B	C

### RECOMMENDED PCB-HOLE LAYOUT COMPONENT SIDE SHOWN

### PLATED THRU HOLES PARAMETERS


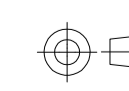
REFERENCE APPLICATION SPECIFICATION



THIS DRAWING IS A CONTROLLED DOCUMENT.		DIN MAN_YI 15MAY2012	6645343-1	
DIMENSIONS: mm		CHK SANDERS_YAN 15MAY2012	FINISH PART NUMBER	
TOLERANCES UNLESS OTHERWISE SPECIFIED:		APVD ALEX_CAL 15MAY2012	STE TE Connectivity	
0-PLC ±	1-PLC ± 0.1	NAME	MALE ASSEMBLY, Z-PACK 2mm HM, TYPE E, 250 POSITION	
2-PLC ±	3-PLC ±	PRODUCT SPEC	108-19082	
4-PLC ±	ANGLES ±	APPLICATION SPEC	114-19029	
MATERIAL	FINISH SEE TABLE	SIZE	CAGE CODE	DRAWING NO
		A1	00779	6645343
CUSTOMER DRAWING		WEIGHT	RESTRICTED TO	
			SCALE	4:1
			SHEET	1 OF 2
			REV	B

LOC		DIST		REVISIONS				
P	LTR	DESCRIPTION	DATE	DN	APVD			
-	-	SEE SHEET 1	-	-	-			

- 1 MATERIAL:  
CONTACT: COPPER ALLOY.  
HOUSING: GLASS-FILLED POLYESTER.
- 2 GENERAL PLATING SPECIFICATION: UNDERPLATING  
(ENTIRE CONTACT): 1.27µm MIN NICKEL AND ACTION  
PIN: 0.5µm MIN TIN.  
FOR PLATING OF MATING SURFACES SEE APPLICABLE  
SPECIFICATION REFERENCE FOR EACH DASH NUMBER.
- 3 CONFORMS TO ALL TESTING ACCORDING TO IEC 61076-4-101  
PERFORMANCE LEVEL 2.
- 4 FOR ACTUAL PIN LOADING, SEE "CONTACT LAYOUT"
- 5 TO BE MEASURED AT BOTTOM OF SHROUD.
- 6 CONNECTOR MARKED WITH PART NUMBER AND DATE CODE.  
ADDITIONAL CHARACTERS OR MARKINGS, AS WELL AS THE LOCATION OF THE MARKINGS,  
MAY BE ADDED FOR TRACEABILITY BASED UPON MANUFACTURERS DISCRETION.
- 7 PLATED-THROUGH HOLES AT 2x2mm SQUARE GRID  
PATTERN DEFINED BY CONTACT LAYOUT.
- 8 FOR ACTUAL PIN DIMENSIONS SEE "CONTACT DIMENSIONS".

THIS DRAWING IS A CONTROLLED DOCUMENT.		DIN MAN. YI 15MAY2012		 TE Connectivity	
		CHK SANDERS, YAN 15MAY2012			
DIMENSIONS: mm		TOLERANCES UNLESS OTHERWISE SPECIFIED: 0-PLG ± 1-PLG ±0.1 2-PLG ± 3-PLG ± 4-PLG ± ANGLES ±.1°		APVD ALEX, CAL 15MAY2012 NAME MALE ASSEMBLY, Z-PACK 2mm HM, TYPE E	
				PRODUCT SPEC 108-19082 APPLICATION SPEC 114-19029	
MATERIAL SEE SHEET 1		FINISH SEE SHEET 1		SIZE A1 CAGE CODE 00779 DRAWING NO 6645343 RESTRICTED TO -	
		WEIGHT -		CUSTOMER DRAWING SCALE 4:1 SHEET 2 OF 2 REV B	