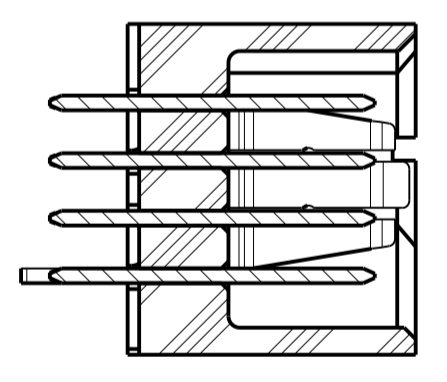
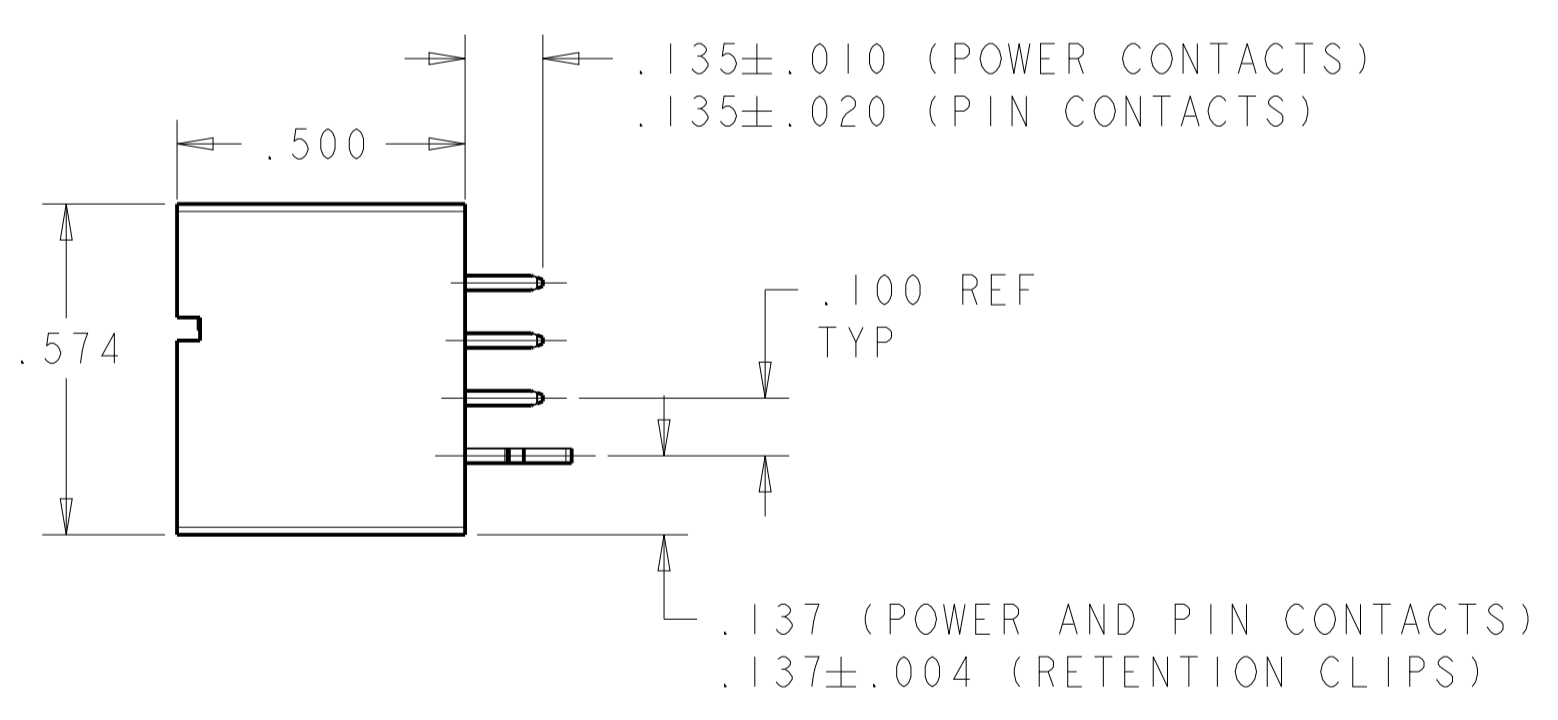
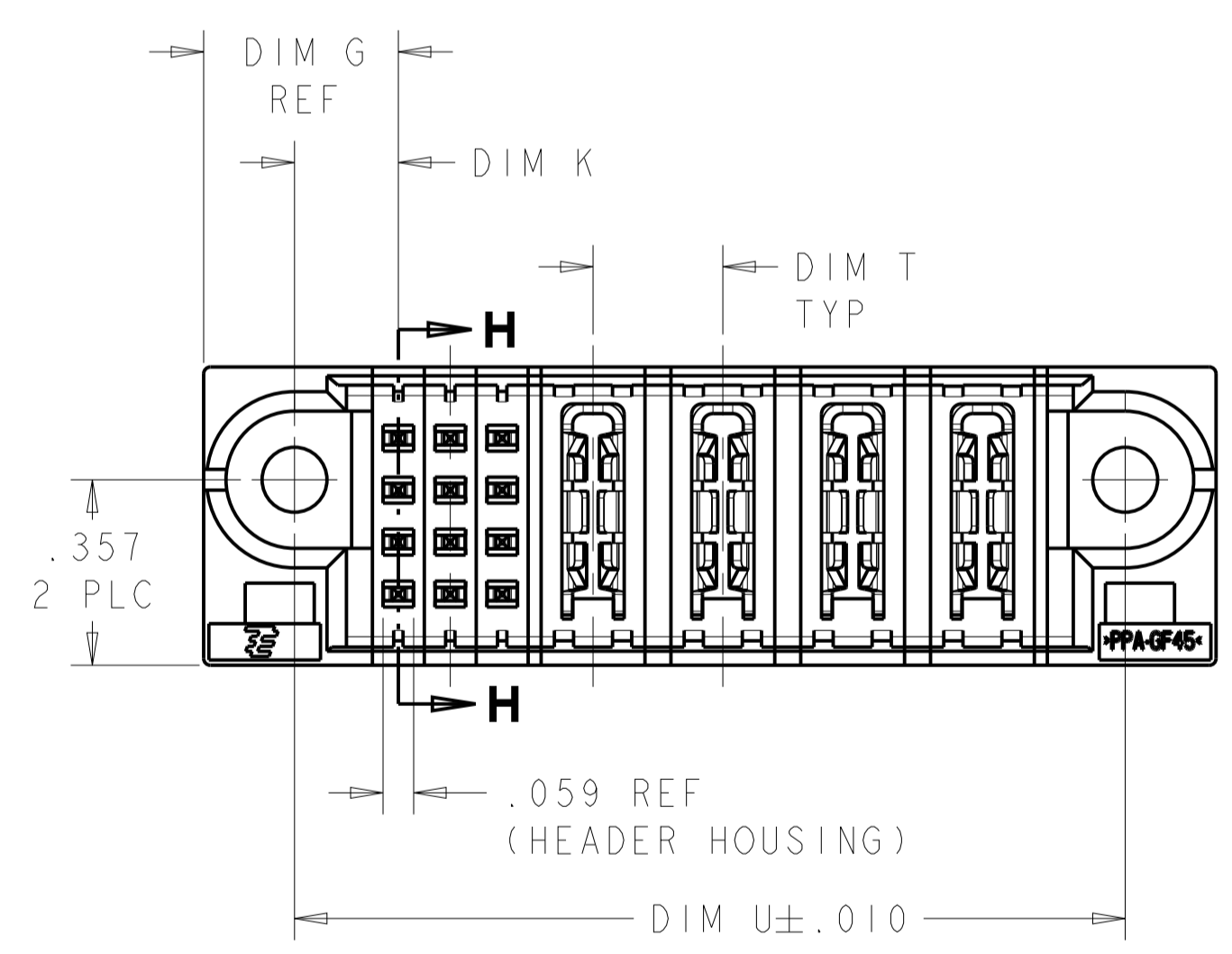
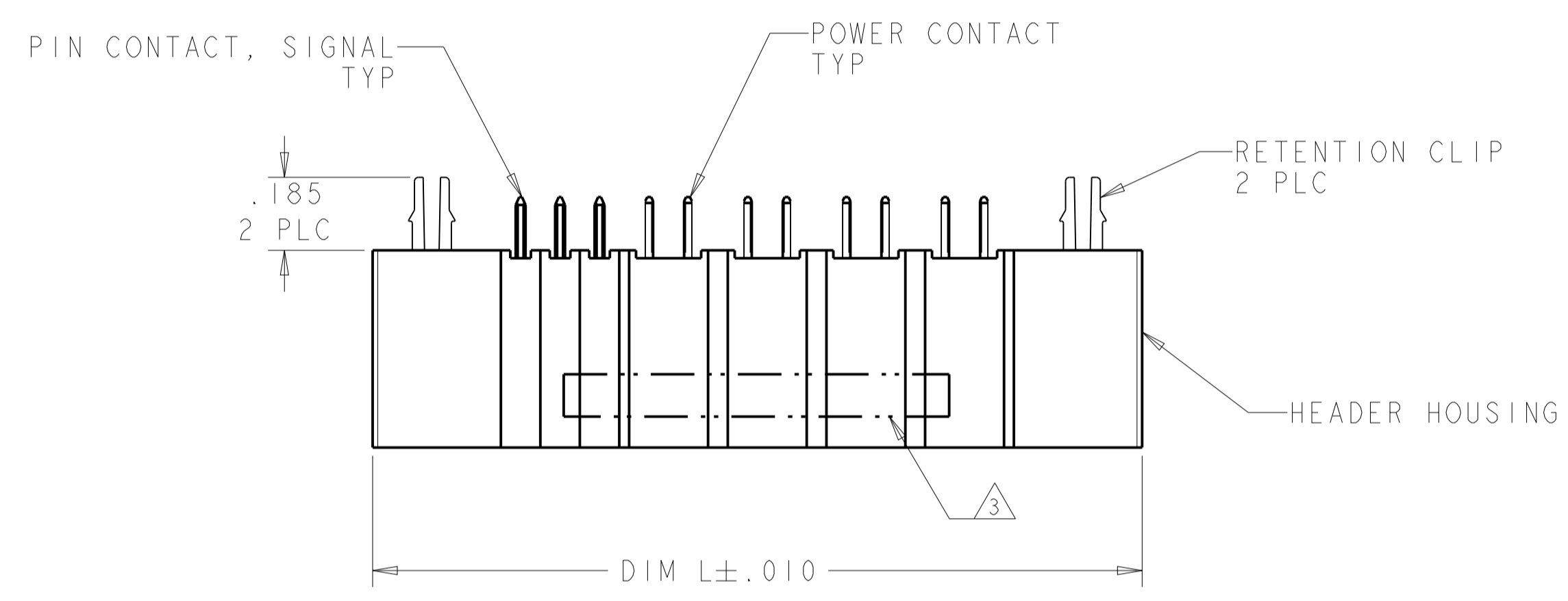
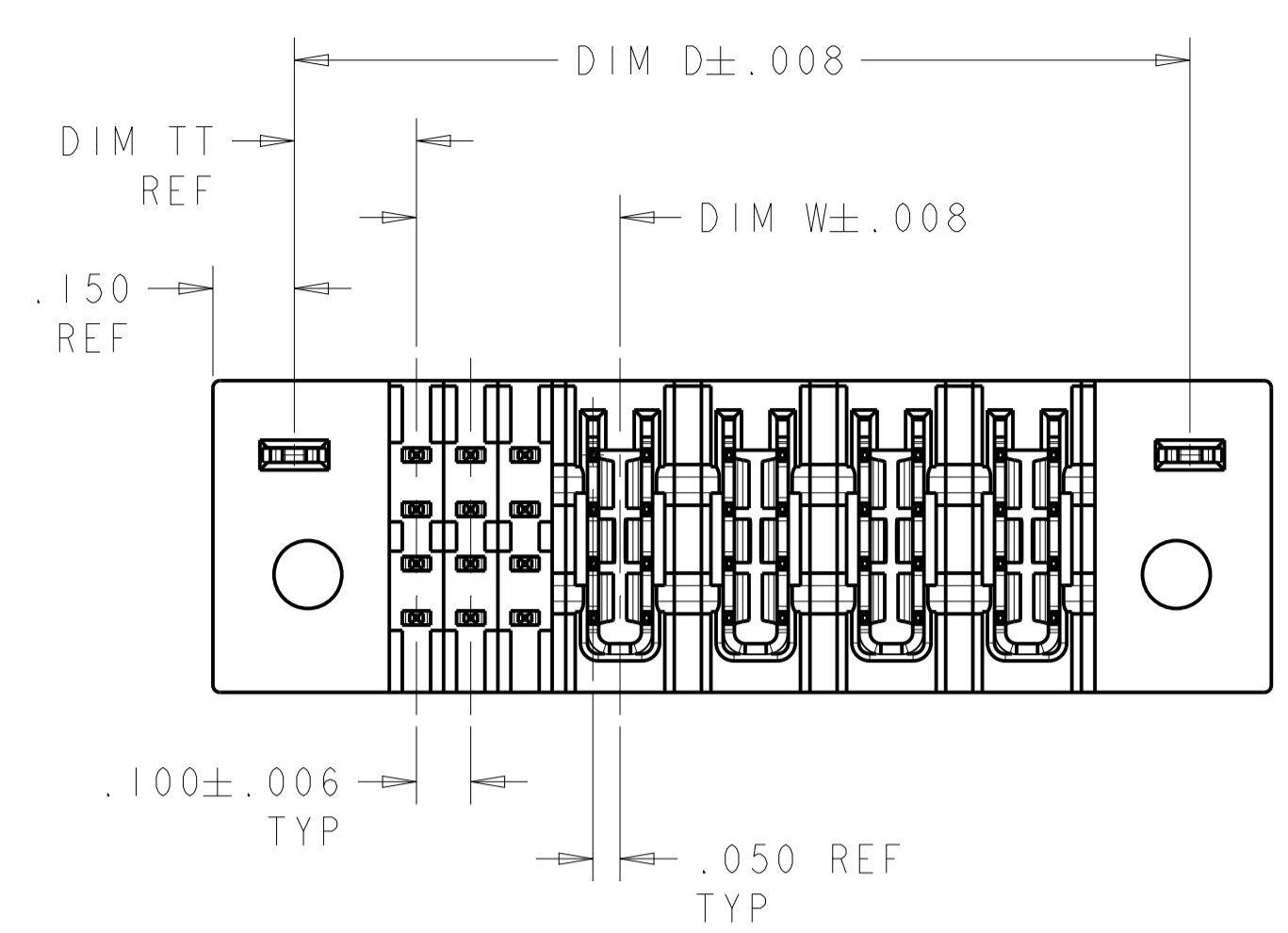


LOC	DIST	REVISIONS					
		P	LTN	DESCRIPTION	DATE	DWN	APVD
GP	00	A1		ADDED NEW DASH NUMBER -4.	26 JAN 2010	IL	SZ
		A2		REV PER ECR-14-002489	25 FEB 2014	OL	SZ



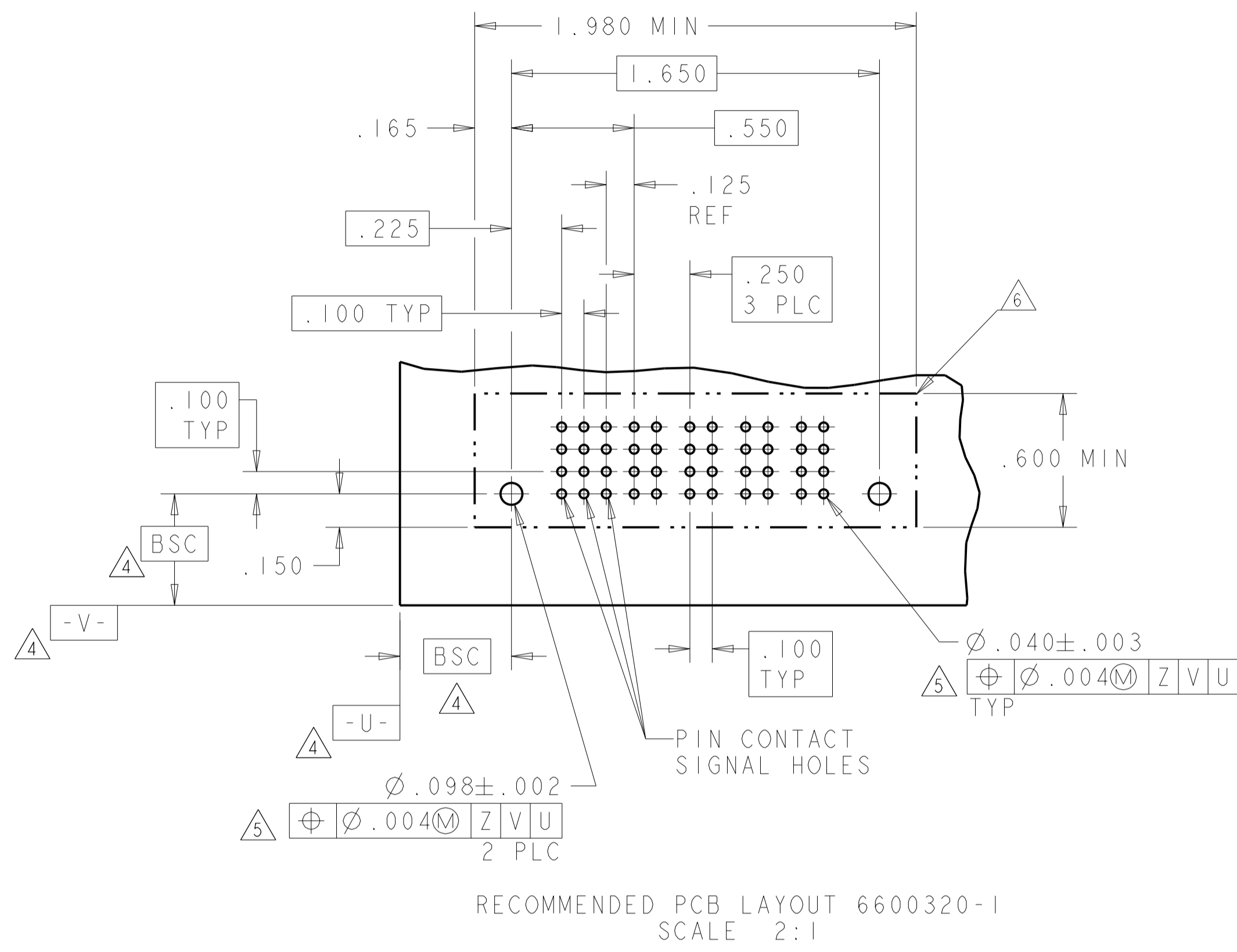
SECTION H-H

- ⚠️ HEADER HOUSING: THERMO PLASTIC, BLACK, UL94 V-0; CONTACTS AND RETENTION CLIPS: COPPER ALLOY.
- ⚠️ PCONTACT PLATING: NOBLE METAL PLATING ON CONTACT FUNCTIONAL AREA OF POWER AND SIGNAL CONTACTS  
RETENTION CLIP: .000115 MIN TIN.
- ⚠️ "AMP", PART NUMBER AND DATE CODE MARKED IN THIS AREA. PARTS UNDER 2.50 LONG MAY BE MARKED ON BOTH SIDES.
- ⚠️ DATUM AND BASIC DIMENSIONS ESTABLISHED BY CUSTOMER.
- ⚠️ PCB - ALL HOLE DIAMETERS ARE FINISHED HOLE SIZES.
- ⚠️ MECHANICAL CONNECTOR KEEP OUT ZONE.
- ⚠️ NOT RELEASED FOR PRODUCTION.

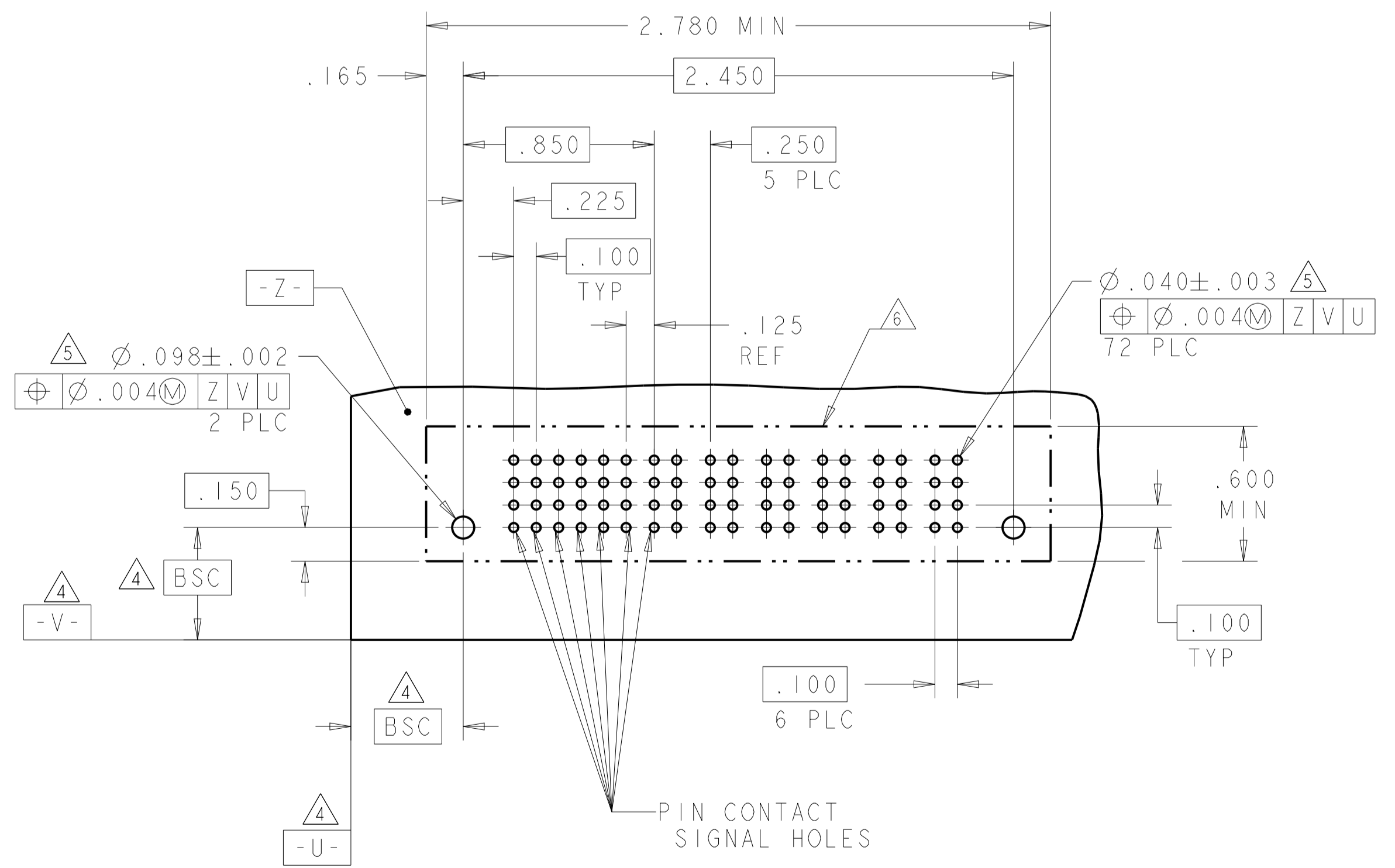
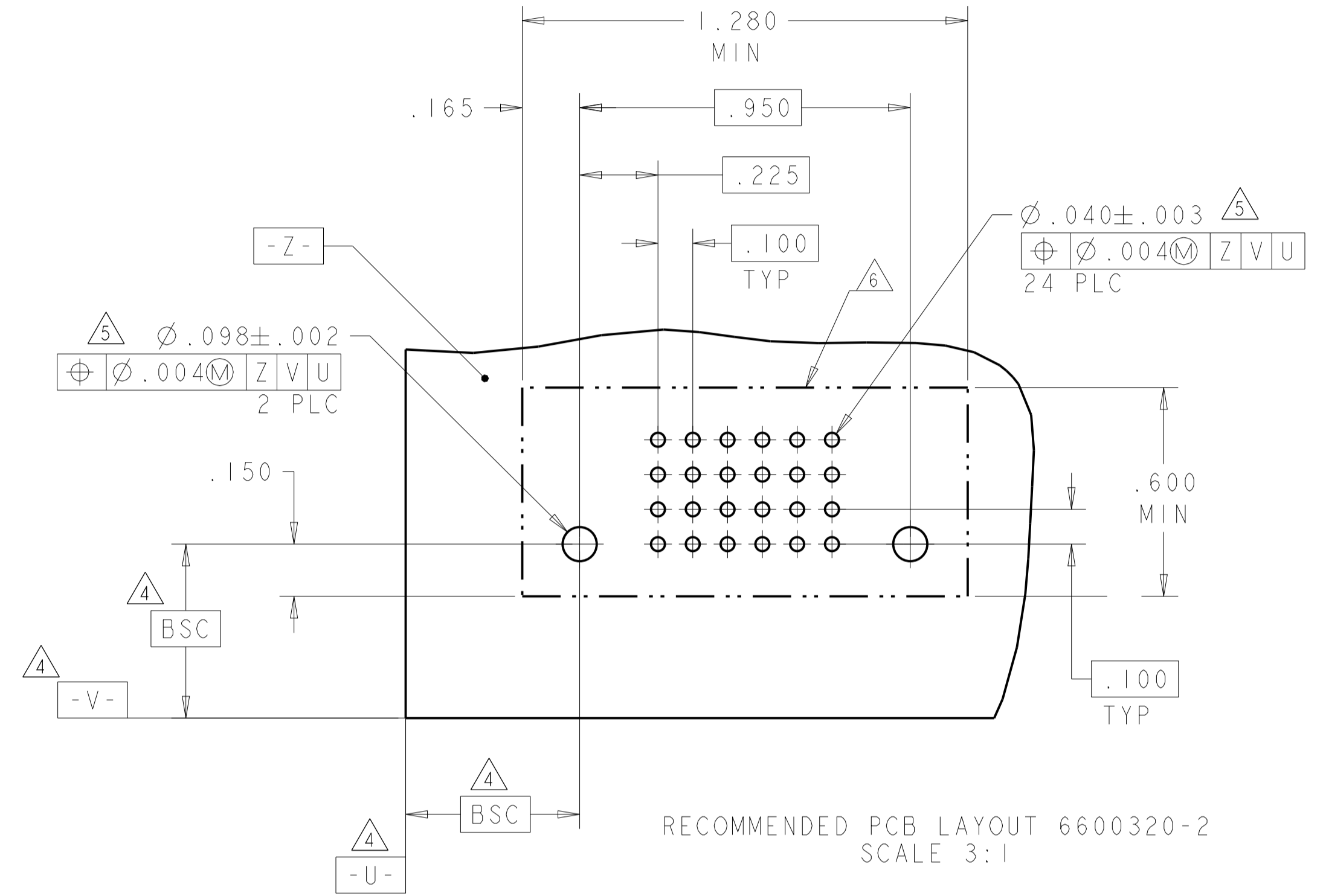
ⓐ1	.225	.450	1.500	.200	1.850	.200	.375	1.550	YES	16S + 4P	6600320-4
⚠️	.225	.675	2.400	.250	2.750	.200	.375	2.450	YES	24S + 6P	6600320-3
⚠️	.225	-	.900	-	1.250	.200	.375	.950	YES	24S	6600320-2
	.225	.375	1.600	.250	1.950	.200	.375	1.650	YES	12S + 4P	6600320-1
	DIM "TT"	DIM "W"	DIM "U"	DIM "T"	DIM "L"	DIM "K"	DIM "G"	DIM "D"	RETENTION CLIP	DESCRIPTION	PART NUMBER

DIMENSIONS: INCH 		TOLERANCES UNLESS OTHERWISE SPECIFIED: 0 PLC ± 1 PLC ± 2 PLC ± 3 PLC ±0.005 4 PLC ± ANGLES ±		DWN D. RINGLER 06MAY2006 CHK M. PERCHERKE 06MAY2006 APVD M. PERCHERKE 06MAY2006 PRODUCT SPEC 108-1973 APPLICATION SPEC 114-13038 WEIGHT FINISH		Tyco Electronics Harrisburg, PA 17105-3608 NAME VERTICAL HEADER ASSEMBLY, W/GUIDES SOLDER TAIL, TYPE SP, MULTI-BEAM XL SIZE CAGE CODE DRAWING NO A100779C=6600320 RESTRICTED TO	
MATERIAL: ⚠️ FINISH: ⚠️				CUSTOMER DRAWING		SCALE 4:1 SHEET 1 OF 3 REV A2	

PART NUMBER	ROWS	SIGNAL			POWER			
		1	2	3	P1	P2	P3	P4
6600320-1	D	SV	SV	SV	SZ	SZ	SZ	SZ
	C	SV	SV	SV				
	B	SV	SV	SV				
	A	SV	SV	SV				
12S+4P	HD							HD



PART NUMBER	ROWS	SIGNAL				
		1	2	3	4	
6600320-2	D	SS	SS	SS	SS	
	C	SS	SS	SS	SS	
	B	SS	SS	SS	SS	
	A	SV	SV	SV	SV	
24S	HD					HD



PART NUMBER	ROWS	SIGNAL						POWER						
		1	2	3	4	5	6	P1	P2	P3	P4	P5	P6	
6600320-3	D	SV	SV	SV	SV	SV	SV	SZ	SZ	SZ	SZ	SZ	SZ	
	C	SV	SV	SV	SV	SV	SV							
	B	SV	SV	SV	SV	SV	SV							
	A	SV	SV	SV	SV	SV	SV							
24S+6P	HD													HD

LOC	DIST	REV	DATE	BY	APPV
GP	00				

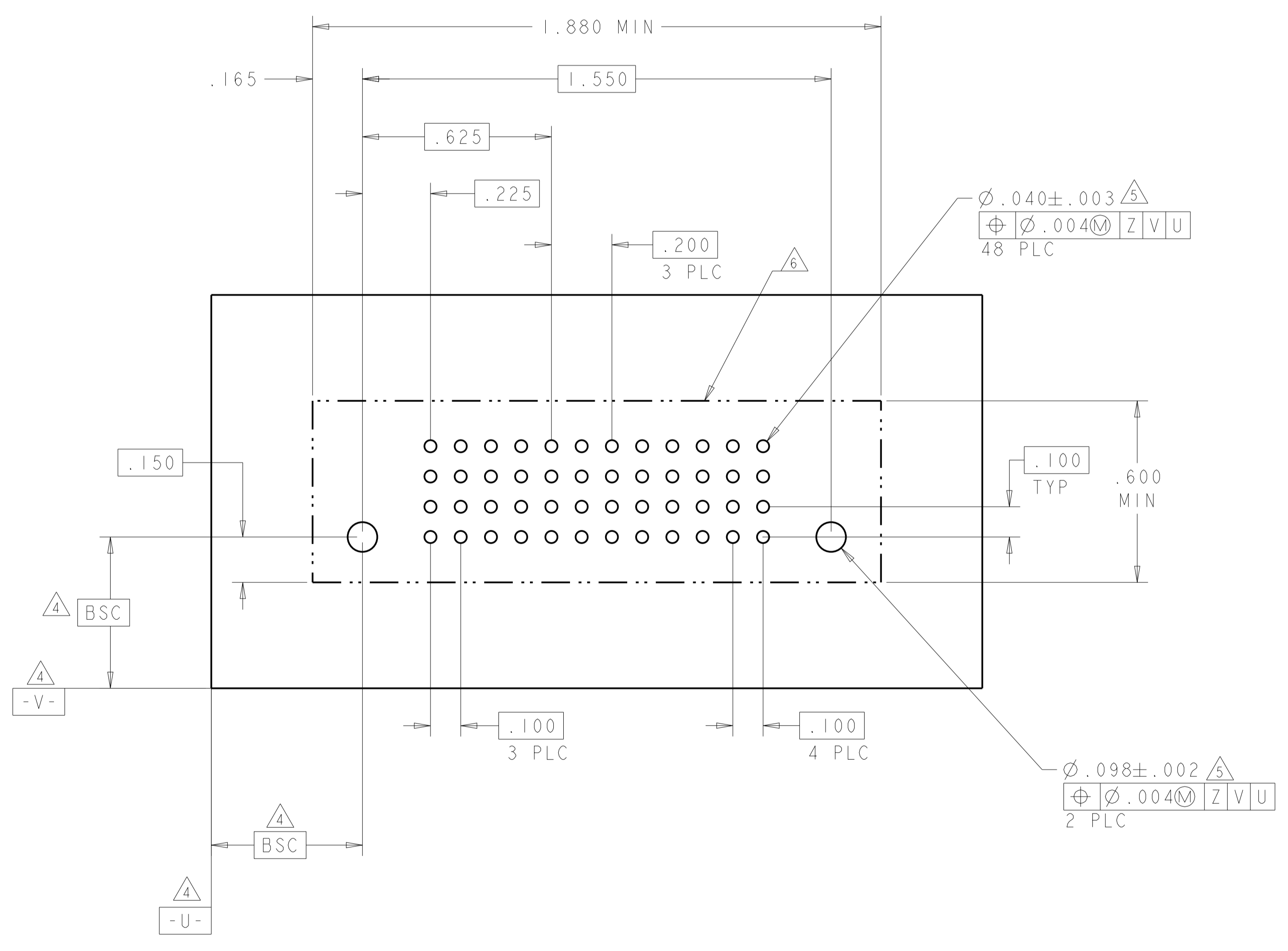
MATING SEQUENCE	DESCRIPTION	IDENTIFIER
-	RETENTION CLIP	HD
MLBF	SIGNAL CONTACT	SS
STANDARD	SIGNAL CONTACT	SV
-	POWER CONTACT	SZ

<small>THIS DRAWING IS UNPUBLISHED. RELEASED FOR PUBLICATION. BY TYCO ELECTRONICS CORPORATION. ALL RIGHTS RESERVED.</small>		DWN: D. RINGLER 06MAY2006 CHK: M. PERCHERKE 06MAY2006 APVD: M. PERCHERKE 06MAY2006	Tyco Electronics Harrisburg, PA 17105-3608
DIMENSIONS: INCH	TOLERANCES UNLESS OTHERWISE SPECIFIED: 0 PLC ±. 1 PLC ±. 2 PLC ±. 3 PLC ±0.005 4 PLC ±. ANGLES ±.	NAME: VERTICAL HEADER ASSEMBLY, W/GUIDES SOLDER TAIL, TYPE SP, MULTI-BEAM XL	SIZE: CAGE CODE DRAWING NO. A1100779C=6600320
MATERIAL:	FINISH:	WEIGHT:	RESTRICTED TO:
CUSTOMER DRAWING		SCALE: 4:1	SHEET 2 OF 3 REV A2

LOC	DIST	REVISIONS			
P	LTN	DESCRIPTION	DATE	DWN	APVD
GP	00	SEE SHEET 1	-	-	-

(A1)

PART NUMBER	ROWS	SIGNAL				POWER			
		1	2	3	4	P1	P2	P3	P4
6600320-4	D	SV	SV	SV	SV	SZ	SZ	SZ	SZ
	C	SV	SV	SV	SV				
	B	SV	SV	SV	SV				
	A	SV	SV	SV	SV				
16S + 4P									



<small>THIS DRAWING IS UNPUBLISHED. RELEASED FOR PUBLICATION. IT IS THE PROPERTY OF TYCO ELECTRONICS CORPORATION. IT IS TO BE USED FOR THE PURPOSES AND IN THE QUANTITIES SPECIFIED IN THE ORDER. IT IS TO BE RETURNED TO TYCO ELECTRONICS CORPORATION IF NOT SO. CONTACT TYCO ELECTRONICS CORPORATION FOR THE LATEST REVISION.</small>		DWN: D. RINGLER 06MAY2006 CHK: M. PERCHERKE 06MAY2006 APVD: M. PERCHERKE 06MAY2006	Tyco Electronics Harrisburg, PA 17105-3608
DIMENSIONS: INCH	TOLERANCES UNLESS OTHERWISE SPECIFIED: 0 PLC ± 1 PLC ± 2 PLC ± 3 PLC ±0.005 4 PLC ± ANGLES ±	NAME: VERTICAL HEADER ASSEMBLY, W/GUIDES PRODUCT SPEC: 108-1973 APPLICATION SPEC: 114-13038 WEIGHT: - CUSTOMER DRAWING	SIZE: A1 CAGE CODE: 00779 DRAWING NO: 6600320 SCALE: 4:1 SHEET: 3 OF 3 REV: A2