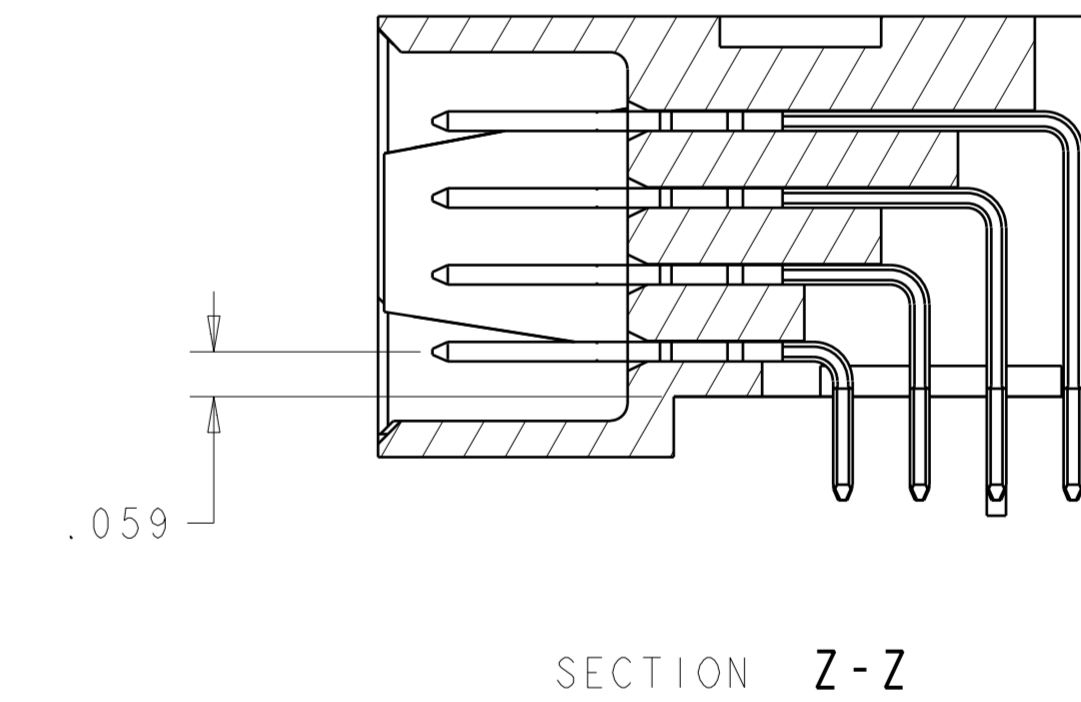
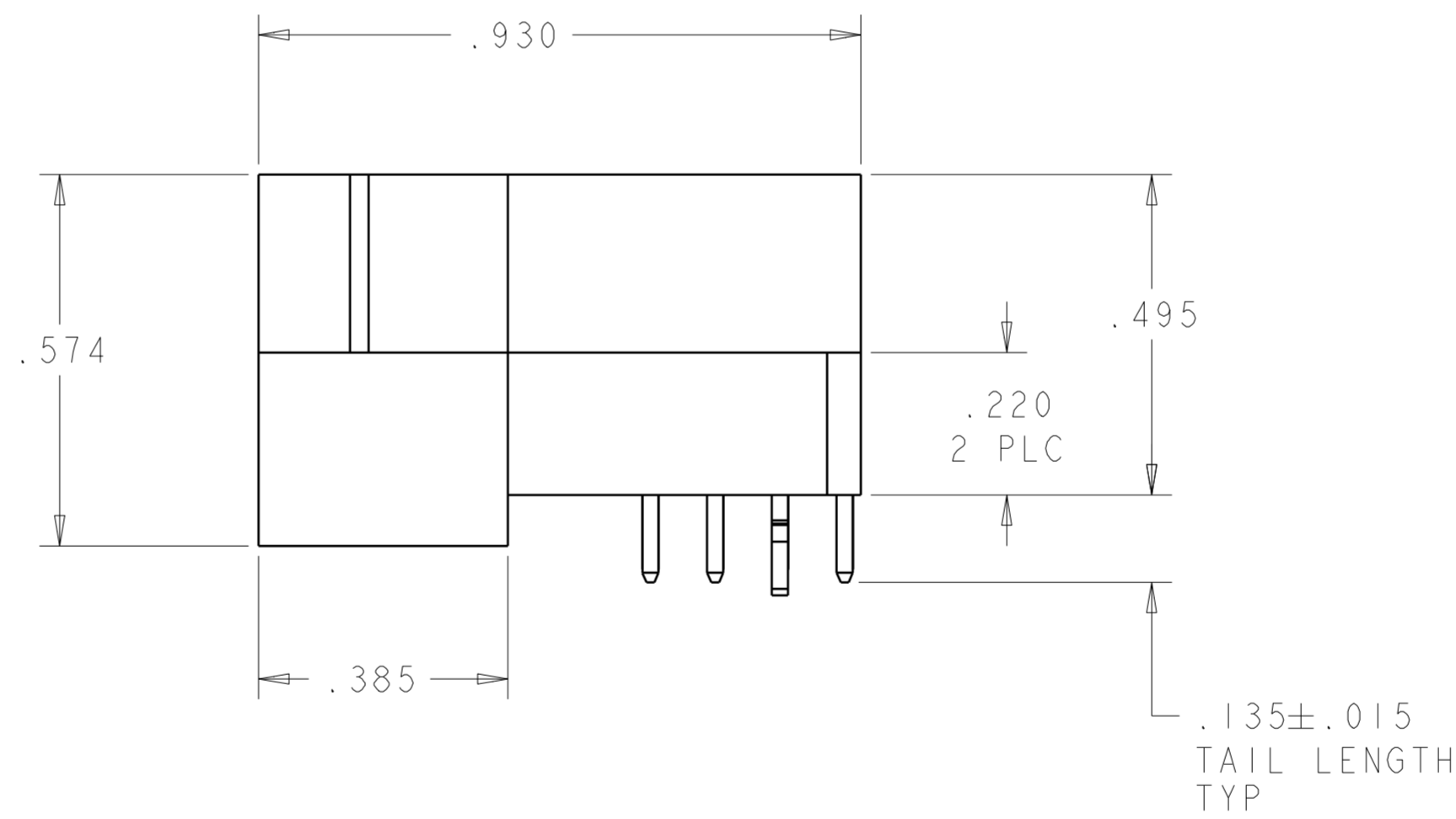
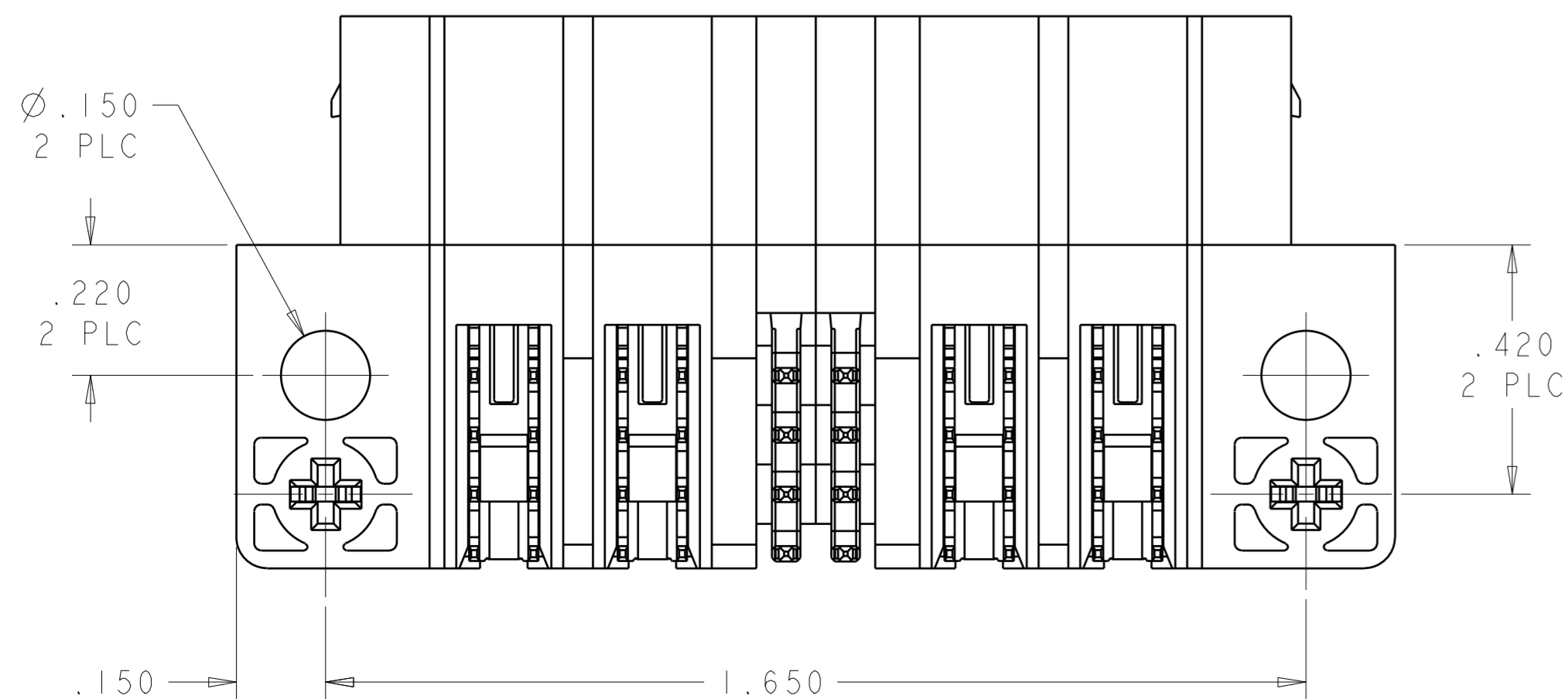
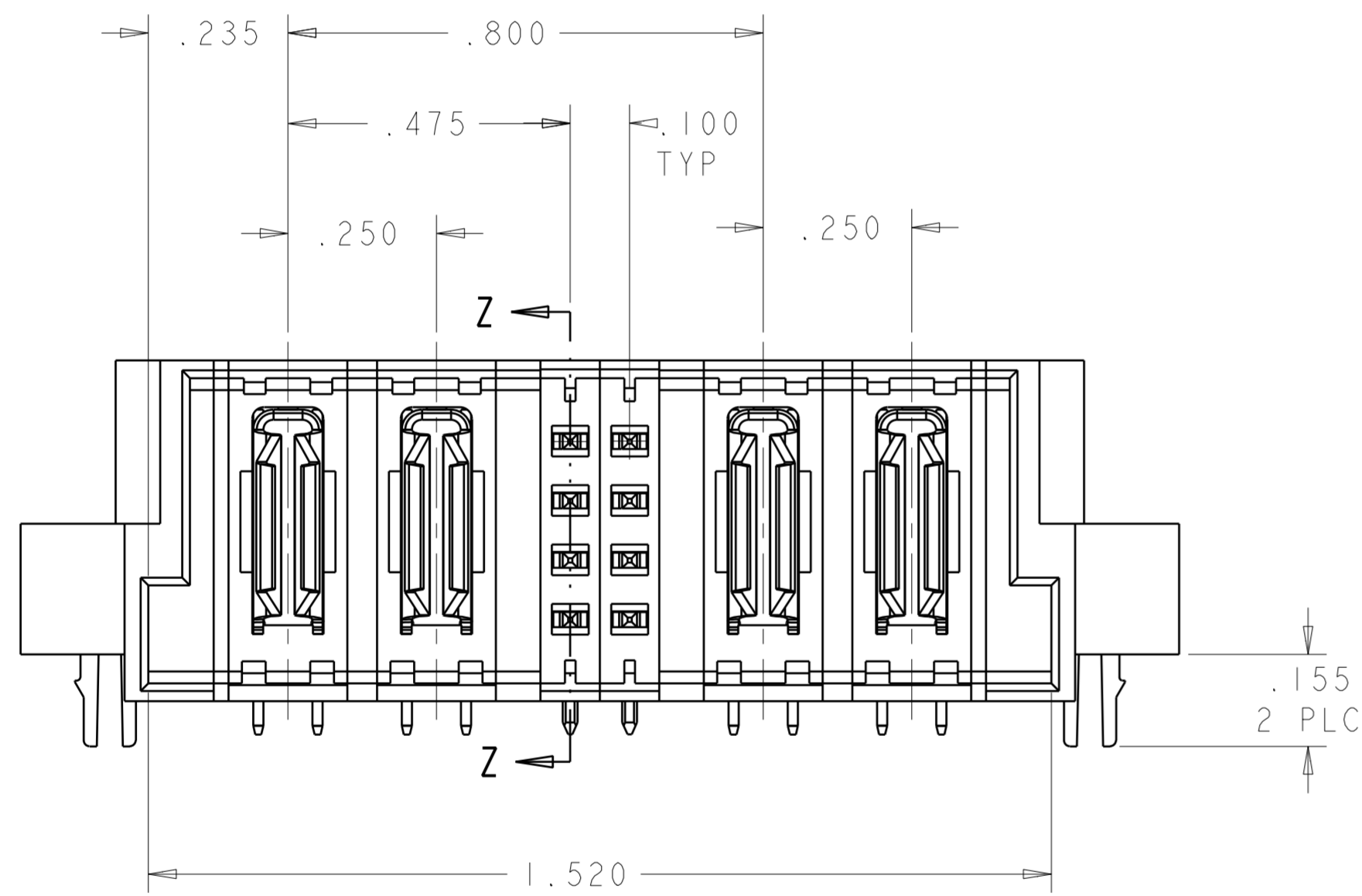
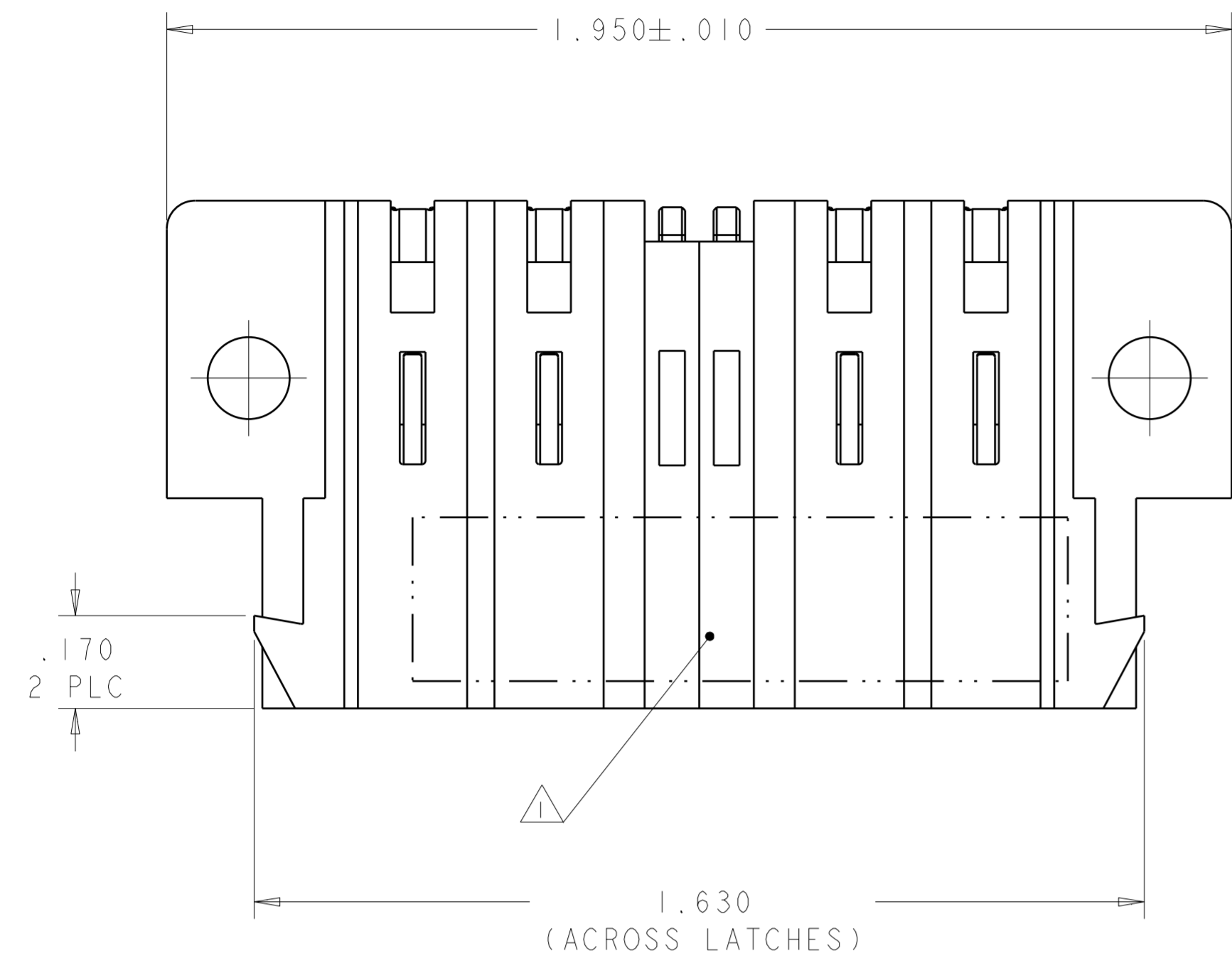


LOC		DIST		REVISIONS			
ES	00	REV	DATE	BY	CHK	APPD	
A		REV PER ECR-07-027217	13NOV2007	CZ	SY		



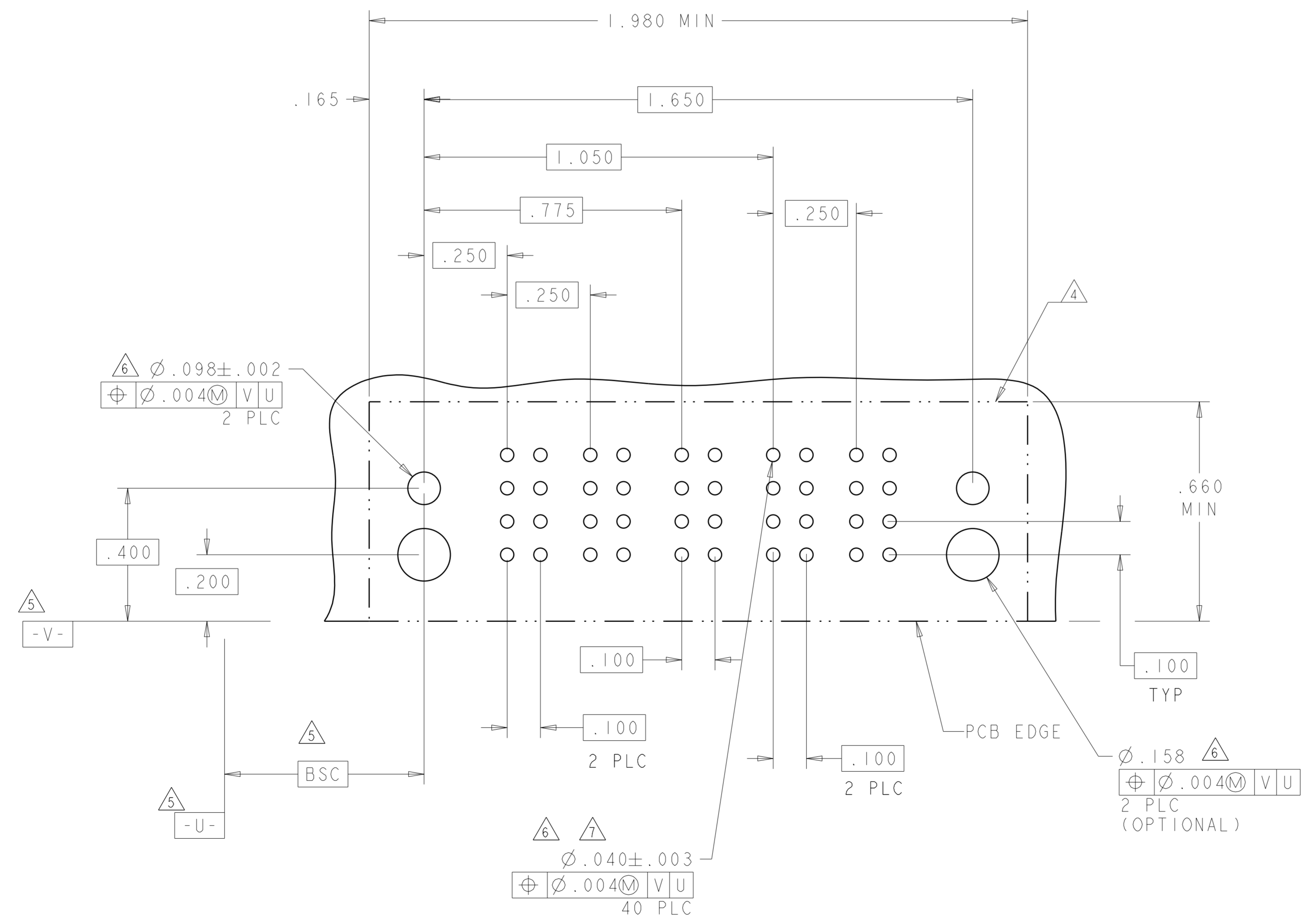
- 1 "AMP" PART NUMBER AND DATE CODE TO BE MARKED IN AREA SHOWN. PARTS UNDER 2.00 INCHES LONG MAY BE MARKED ON BOTH SIDES.
- 2 MATERIAL: HOUSING - GLASS FILLED HIGH TEMP THERMO PLASTIC, UL 94 V-0
 SIGNAL CONTACT - COPPER ALLOY
 POWER CONTACT - HIGH CONDUCTIVITY COPPER ALLOY.
- 3 CONTACT PLATING:
 SIGNAL CONTACTS: .000050 MIN Ni UNDER ALL
 .000030 MIN Au ON CONTACT AREA
 .000100 MIN Sn AT PCB INTERFACE.
 POWER CONTACTS: .000050 MIN Ni UNDER ALL
 .000030 MIN Au ON CONTACT AREA
 .000100 MIN Sn AT PCB INTERFACE.
- 4 MECHANICAL CONNECTOR KEEP OUT ZONE. WHEN PLACING CONNECTORS END-TO-END, ALLOW ADDITIONAL 0.1 CLEARANCE BETWEEN CONNECTORS FOR LATCH ACTIVATION.
- 5 DATUM AND BASIC DIMENSIONS ESTABLISHED BY CUSTOMER.
- 6 PCB - ALL HOLE DIAMETERS ARE FINISHED HOLE SIZES.
- 7 PCB - .0453 ± .0010 DRILLED HOLES PLATED WITH .0003 MIN Sn OVER .001 TO .003 Cu PLATING TO ACHIEVE A .040 DIA HOLE.

2P + 8S + 2P	6600180-1
DESCRIPTION	PART NUMBER

<small>THIS DRAWING IS A CONTROLLED DOCUMENT FOR TYCO ELECTRONICS CORPORATION. IT IS SUBJECT TO CHANGE AND THE CONTROLLING AND REVISION INFORMATION SHOULD BE CONTACTED FOR THE LATEST REVISION.</small>		DWN: C. ZHOU 12NOV2007 CHK: S. ZHAO 12NOV2007 APVD: S. YAO NAME: S. YAO PRODUCT SPEC: 108-1973 APPLICATION SPEC: 114-13038 WEIGHT: - CUSTOMER DRAWING	Tyco Electronics Tyco Electronics incorporation Shanghai, P.R. China, 200233
DIMENSIONS: INCHES 	TOLERANCES UNLESS OTHERWISE SPECIFIED: 0 PLC ± 1 PLC ± 2 PLC ±.01 3 PLC ±.005 4 PLC ±.0020 ANGLES #2	SIZE: A1 CASE CODE: 00779 DRAWING NO: C-6600180 RESTRICTED TO: - SCALE: 5:1 SHEET: 1 OF 2 REV: A	RIGHT ANGLE HEADER ASSEMBLY W/END LATCHES MULTI-BEAM XL

LOC	DIST	REVISIONS					
ES	00	P	LTR	DESCRIPTION	DATE	DWN	APVD
				SEE SHEET 1			

PART NUMBER	ROWS		POWER		SIGNAL		POWER		
			P1	P2	1	2	P3	P4	
6600180-1	D C B A	HD	PS	PS	J K N H	J K N S	PS	PS	HD
2P + 8S + 2P									



J	STD	D
K	STD	C
N	STD	B
H	MLBF	A
S	STD	A
PS	STD	-
CODE	MATING SEQUENCE	ROW
DESCRIPTION		

THIS DRAWING IS A CONTROLLED DOCUMENT FOR TYCO ELECTRONICS CORPORATION. IT IS SUBJECT TO CHANGE AND THE CONTROLLING ENGINEERING DEPARTMENT SHOULD BE CONTACTED FOR THE LATEST REVISION.

DWN: C. ZHOU 12NOV2007
 CHK: S. ZHAO 12NOV2007
 APVD: S. YAO

NAME: RIGHT ANGLE HEADER ASSEMBLY W/END LATCHES MULTI-BEAM XL
 PRODUCT SPEC: 108-1973
 APPLICATION SPEC: 114-13038

TO DIMENSIONS, UNLESS OTHERWISE SPECIFIED:
 0 PLC ±
 1 PLC ±
 2 PLC ±.01
 3 PLC ±.005
 4 PLC ±.0020
 ANGLES ±2

FINISH: -

MATERIAL: -

WEIGHT: -

SCALE: 5:1

RESTRICTED TO: -

SHEET 2 OF 2

REV A

CUSTOMER DRAWING

TYCO ELECTRONICS CORPORATION
 Shanghai, P.R.China. 200233