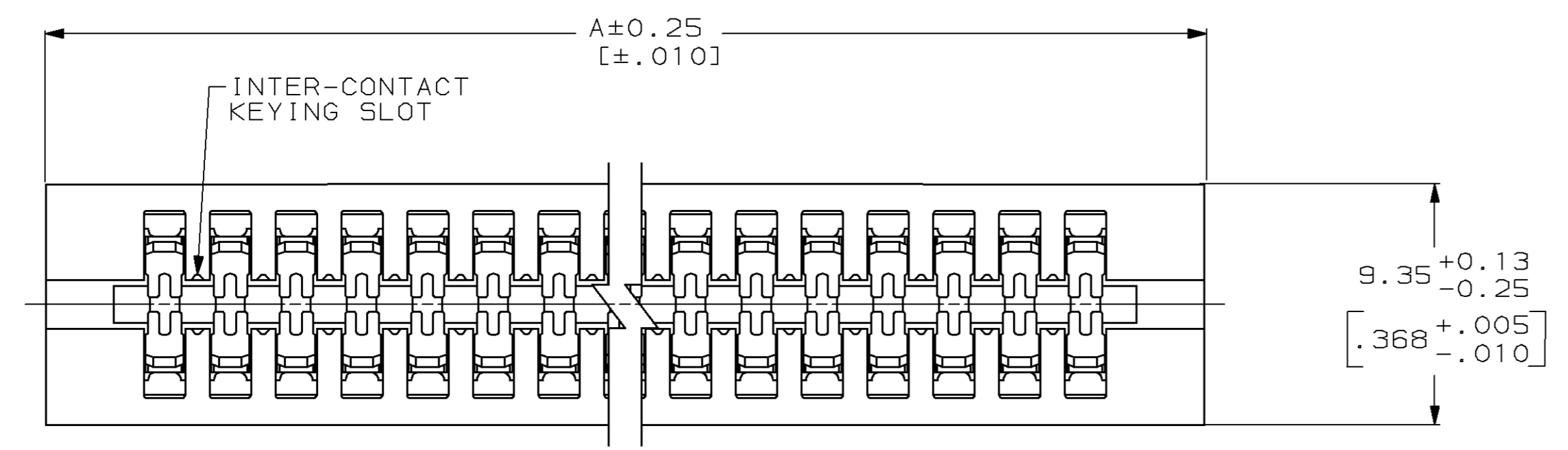
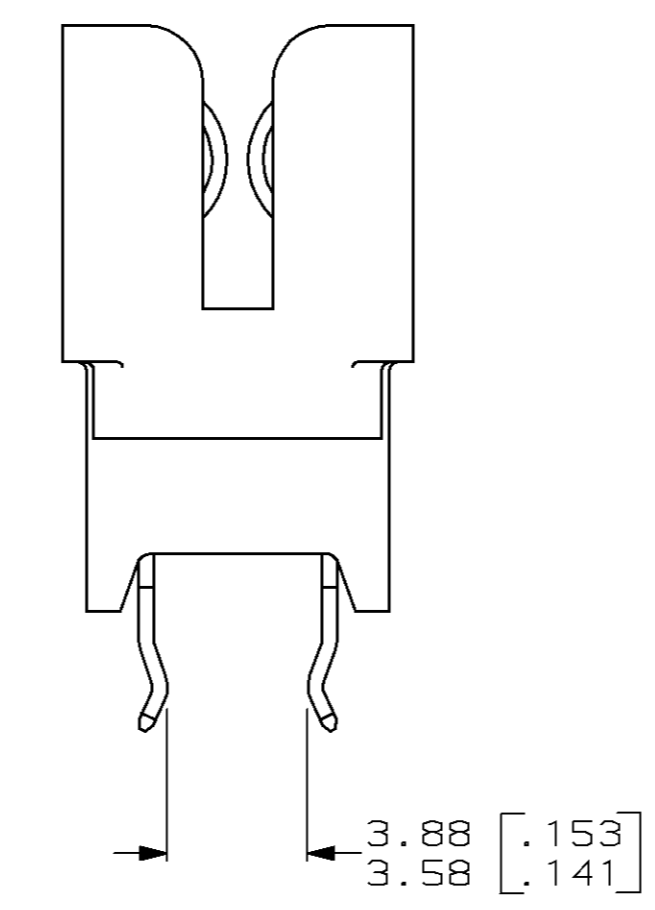
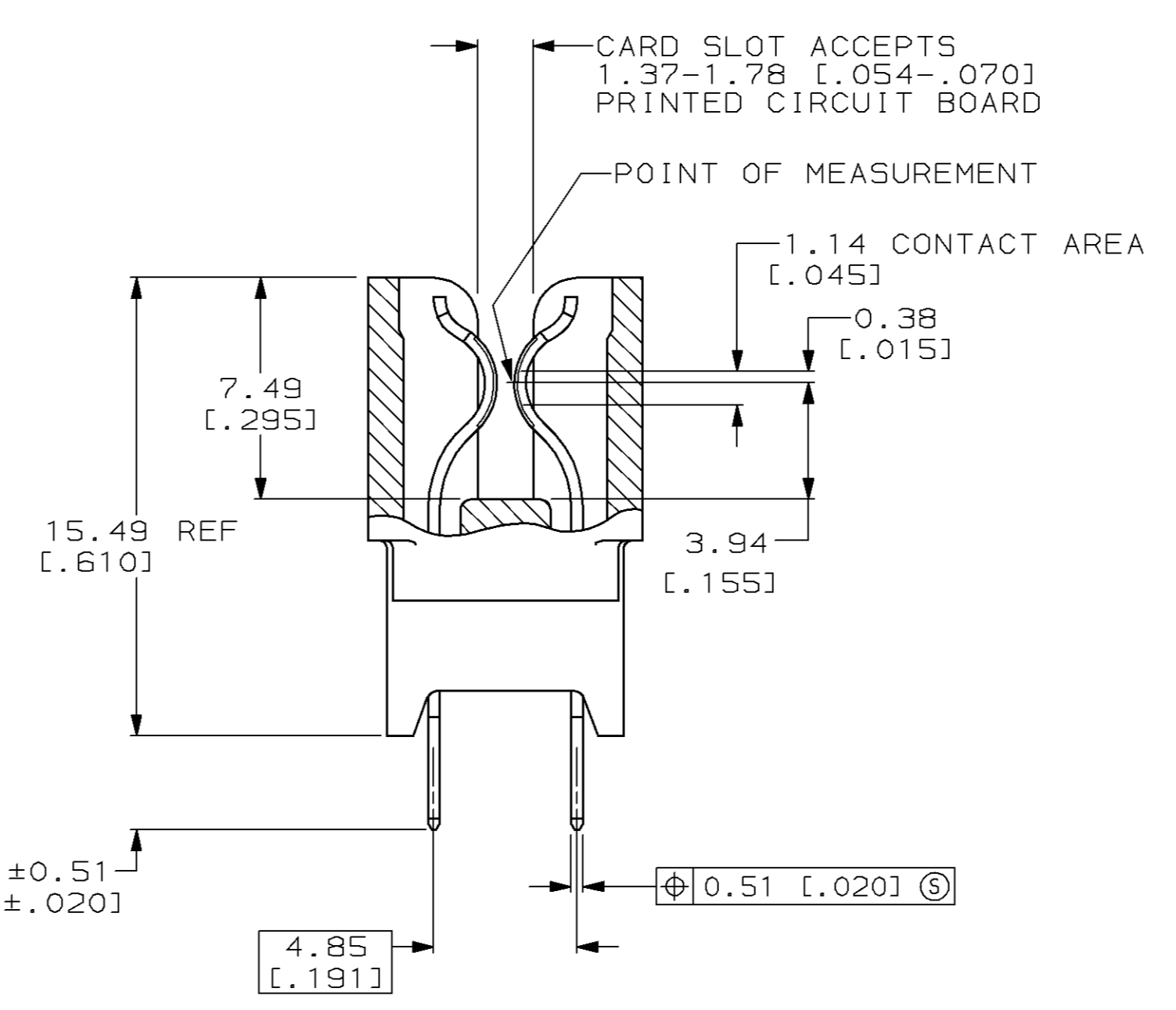
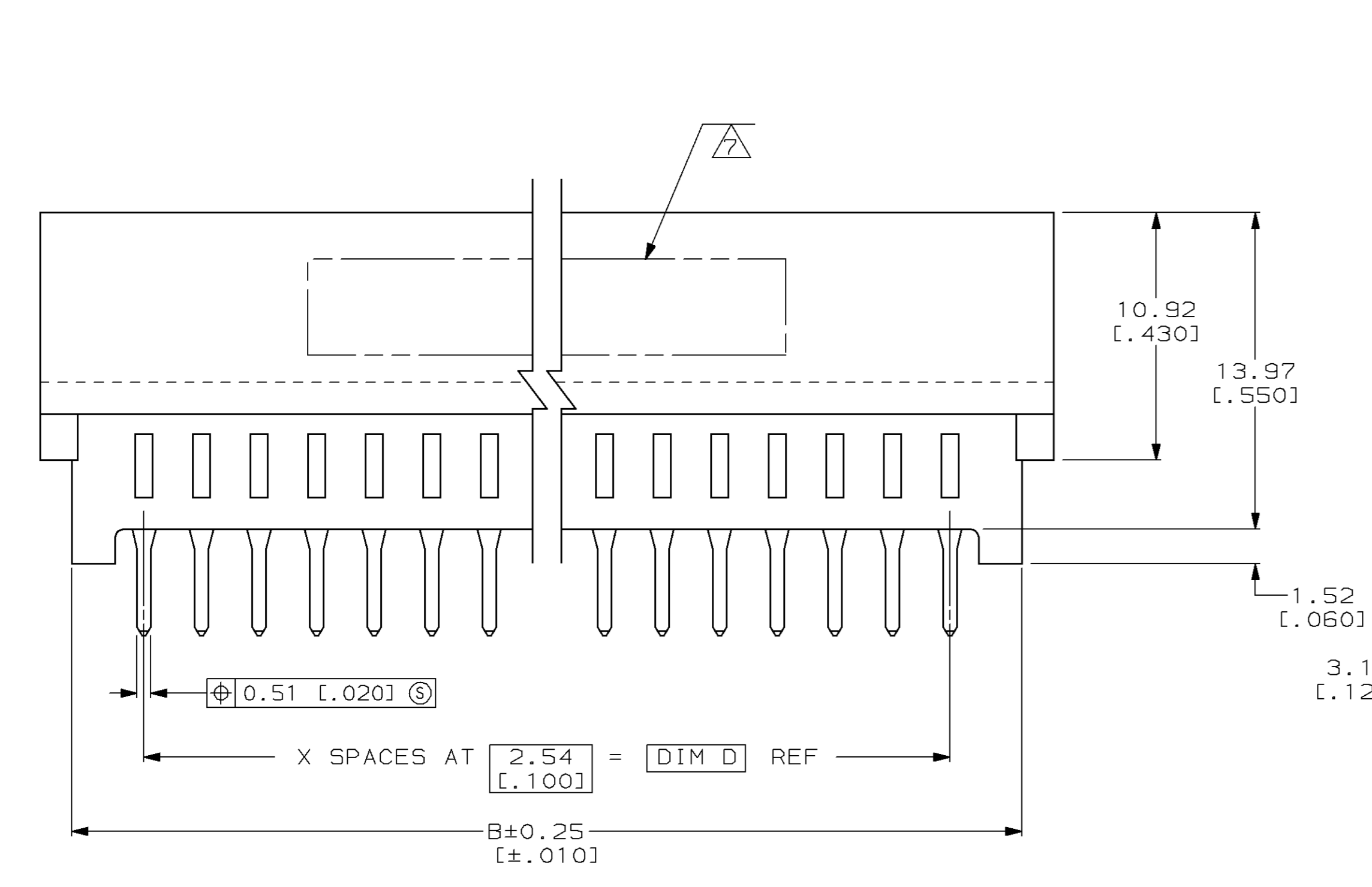


LOC		DIST		P		ZONE		LTR		REVISIONS		
AD	14									DESCRIPTION	DATE	APPD
									B	REVISED PER 0010-0306-94	02-94	JSD
									C	REVISED PER 0430-0287-96	8/12/97	RB MP



- ① HOUSING: GLASS FILLED POLYESTER; COLOR: BLACK.
 - ② CONTACT: PHOSPHOR BRONZE.
 - ③ NICKEL PLATE: 0.00127 [.000050] MIN - ALL OVER.
 - ④ TIN-LEAD PLATE: 0.00254 [.000100] MIN - SOLDER POSTS.
 - ⑤ GOLD PLATE: 0.00076 [.000030] MIN - CONTACT AREA.
 - ⑥ NICKEL PLATE PER MIL-G-45204. GOLD PLATE PER QQ-N-290.
 - ⑦ AMP PART NUMBER, DATE CODE (13 POSN ONLY) ARE MARKED IN APPROXIMATE AREA SHOWN. THE WORD MEXICO TO BE MARKED ON HOUSING (3 & 13 POSN).
8. RECOMMENDED PCB FINISHED HOLE DIA: 1.02 ± 0.08 [$.040 \pm .003$].
9. THE RETENTIVE FEATURE OF THIS CONNECTOR IS DESIGNED FOR FULL SEATING IN .062±.008 THICK CIRCUIT BOARDS. FOR APPLICATIONS IN BOARDS OF OTHER THICKNESSES CONTACT AMP INCORPORATED.



BOARD RETENTION FEATURE

OBSELETE

PLTG	3-6, 21-24	1.200	1.400	1.450	1.560	12	13	650263-2
	1, 2 & 5, 6	[30.48]	[35.56]	[36.83]	[39.62]	2	3	650263-1
		.200	.400	.450	.560			
		[5.08]	[10.16]	[11.43]	[14.22]			
	BOARD RETENTION LOCATION	D	C	B	A	X	NO OF POSN	PART NUMBER

DO NOT SCALE PRINT. UNLESS SPECIFIED DIMENSIONS IN mm [INCHES] TOLERANCES ON:
 2 PLC DEC ± 0.13 [.005]
 3 PLC DEC ± -
 ANGLES ± -

DR 02-24-94 R. BROWN
 CHK 02-24-94 J DIORAZIO
 APPD 02-24-94 J DIORAZIO
 APPD 02-24-94 M THUMMA
 PRODUCT SPEC 108-9039
 APPLICATION SPEC -
 WEIGHT -

AMP AMP Incorporated
 Harrisburg, PA 17105-3608

NAME
 CONNECTOR ASSEMBLY,
 STANDARD EDGE II,
 2.54 [.100] ϕ ,

SIZE D 00779 DRAWING NO 650263
 SCALE 5:1 SHEET 1 OF 1

