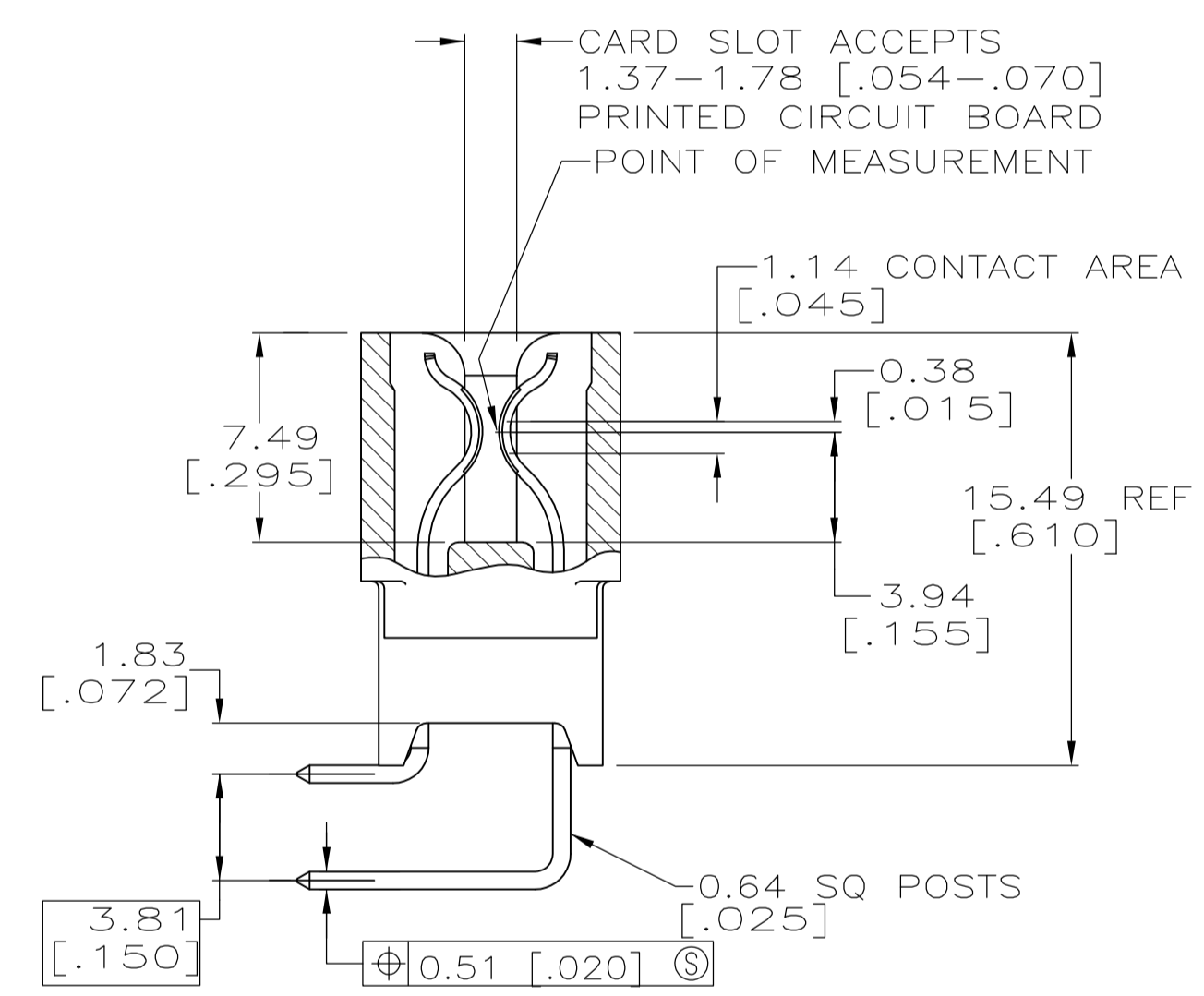
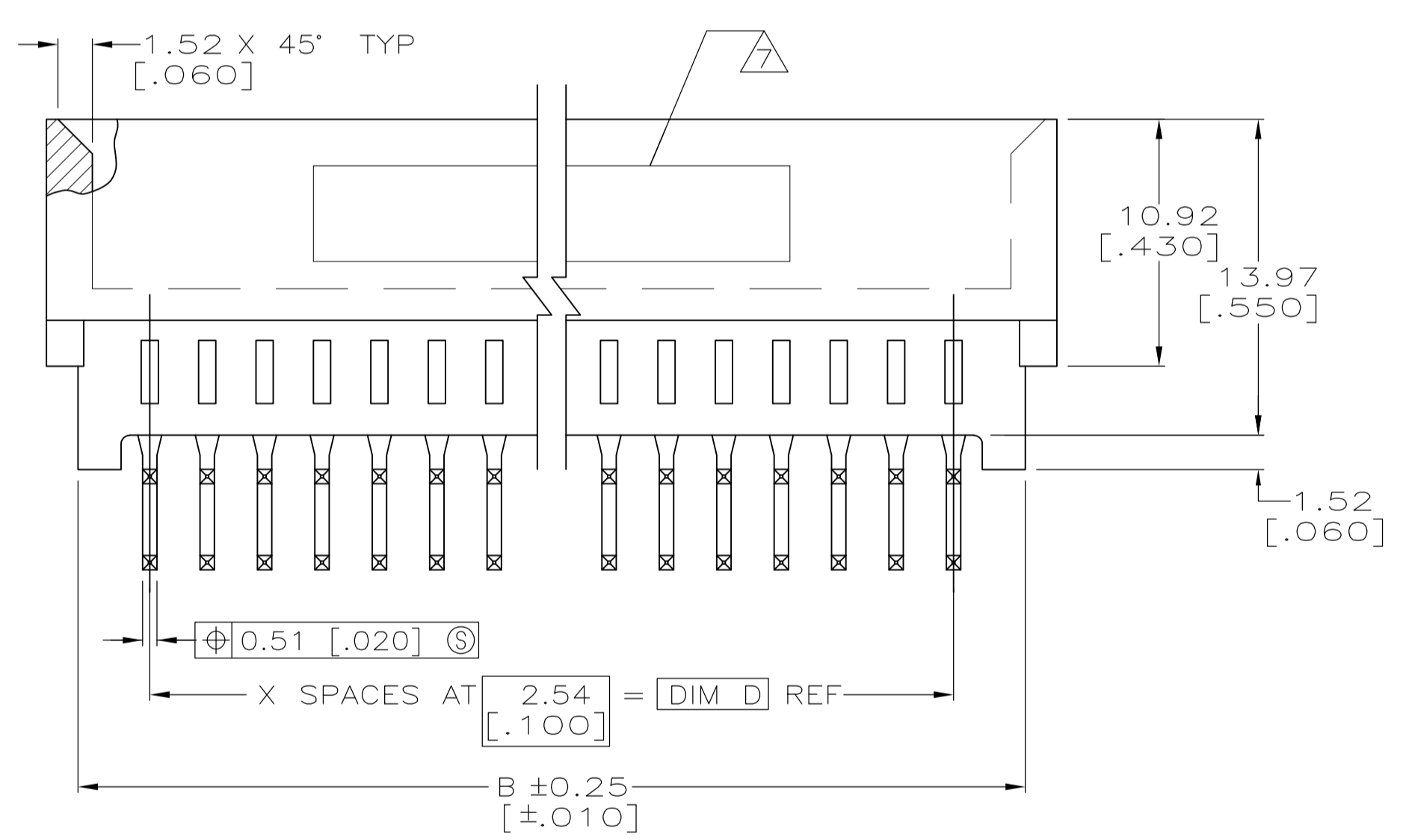
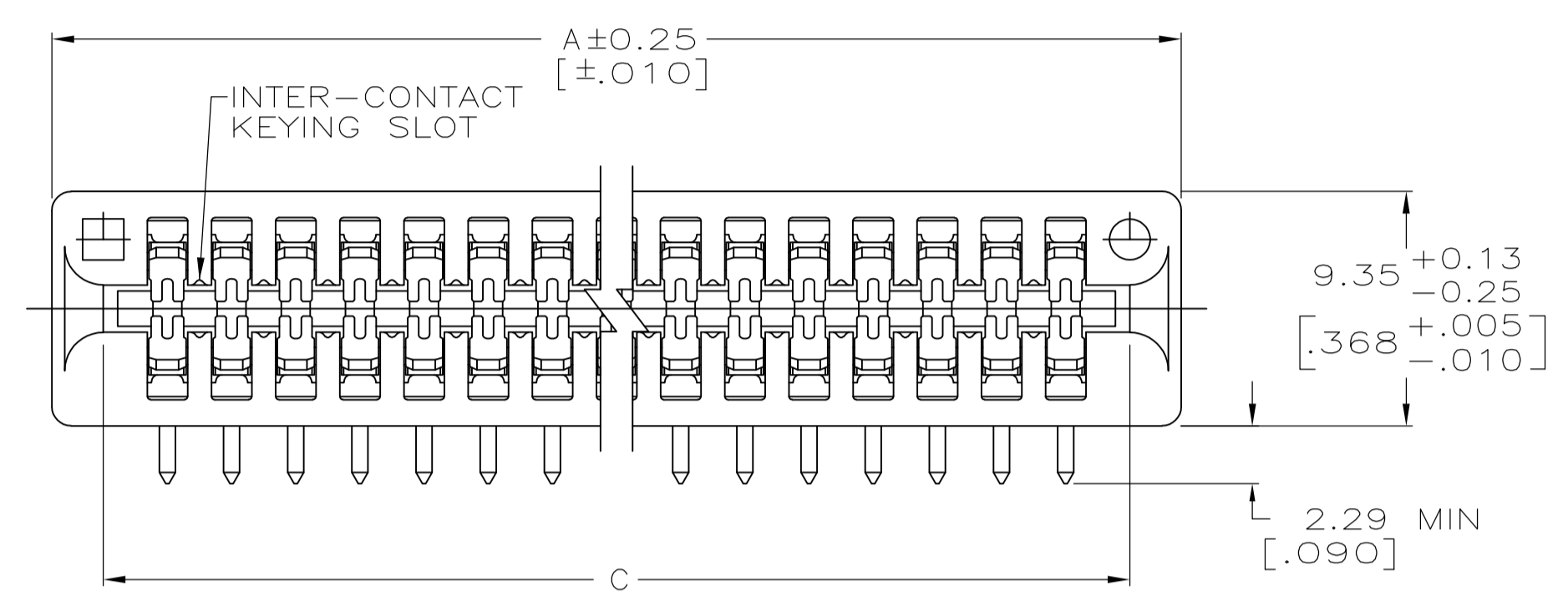


LOC		DIST		REVISIONS			
GP	00	REV	DESCRIPTION	DATE	BY	APPV	
F			REVISED PER 0512-0467-04	17 NOV 04	AWF	AWF	
F1			REVISED PER ECO-09-024717	06NOV09	KK	AEG	

- ① HOUSING: GLASS FILLED POLYESTER; COLOR: BLACK.
- ② CONTACT: PHOSPHOR BRONZE.
- ③ NICKEL UNDERPLATE: 0.00127 [.000050] MIN - ALL OVER.
- ④ TIN-LEAD PLATE: 0.00254 [.000100] MIN - SOLDER POSTS.
- ⑤ GOLD PLATE: 0.00076 [.000030] MIN - CONTACT AREA.
- ⑥ NICKEL PLATE PER MIL-G-45204. GOLD PLATE PER QQ-N-290.
- ⑦ AMP PART NUMBER, CSA LOGO AND DATE CODE ARE MARKED IN APPROXIMATE AREA SHOWN, EITHER SIDE.
- 8. RECOMMENDED PCB FINISHED HOLE DIA: 1.07±0.08 [.042±.003].
- ⑨ OBSOLETE PARTS: OBSOLETE CIS STREAMLINING PER D.RENAUD/D.SINISI



REV	DESCRIPTION	DATE	BY	APPV	NO OF POSN	PART NUMBER
9	SUPERCEDED	12.70 [.500]	17.78 [.700]	19.05 [.750]	21.84 [.860]	5 6 —650118-3
		22.96 [.900]	27.94 [1.100]	29.21 [1.150]	32.00 [1.260]	9 10 650118-2
		35.56 [1.400]	40.64 [1.600]	41.91 [1.650]	44.70 [1.760]	14 15 650118-1
		D	C	B	A	X NO OF POSN PART NUMBER

THIS DRAWING IS A CONTROLLED DOCUMENT. **Tyco Electronics** Tyco Electronics Corporation, Harrisburg, Pa 17105-3608

DRS: R. SHIREY/UTA 10/31/91
 CHK: J. DIORAZIO 8-10-92

PRODUCT SPEC: 108-9039
 APPLICATION SPEC: —

SIZE: A1
 CAGE CODE: 00779
 DRAWING NO: 650118
 RESTRICTED TO: —

CUSTOMER DRAWING SCALE: 5:1 SHEET: 1 OF 1 REV: F1