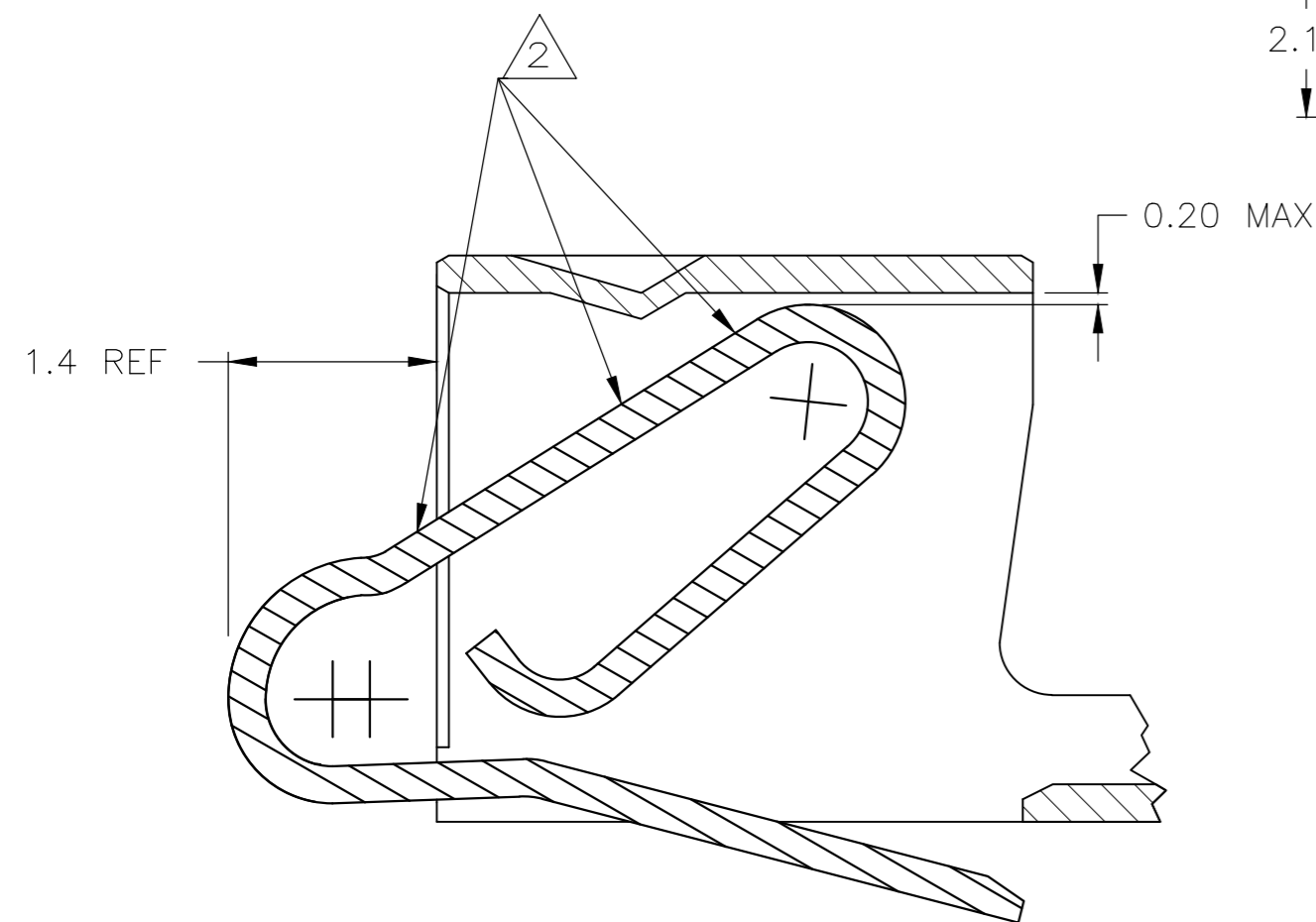
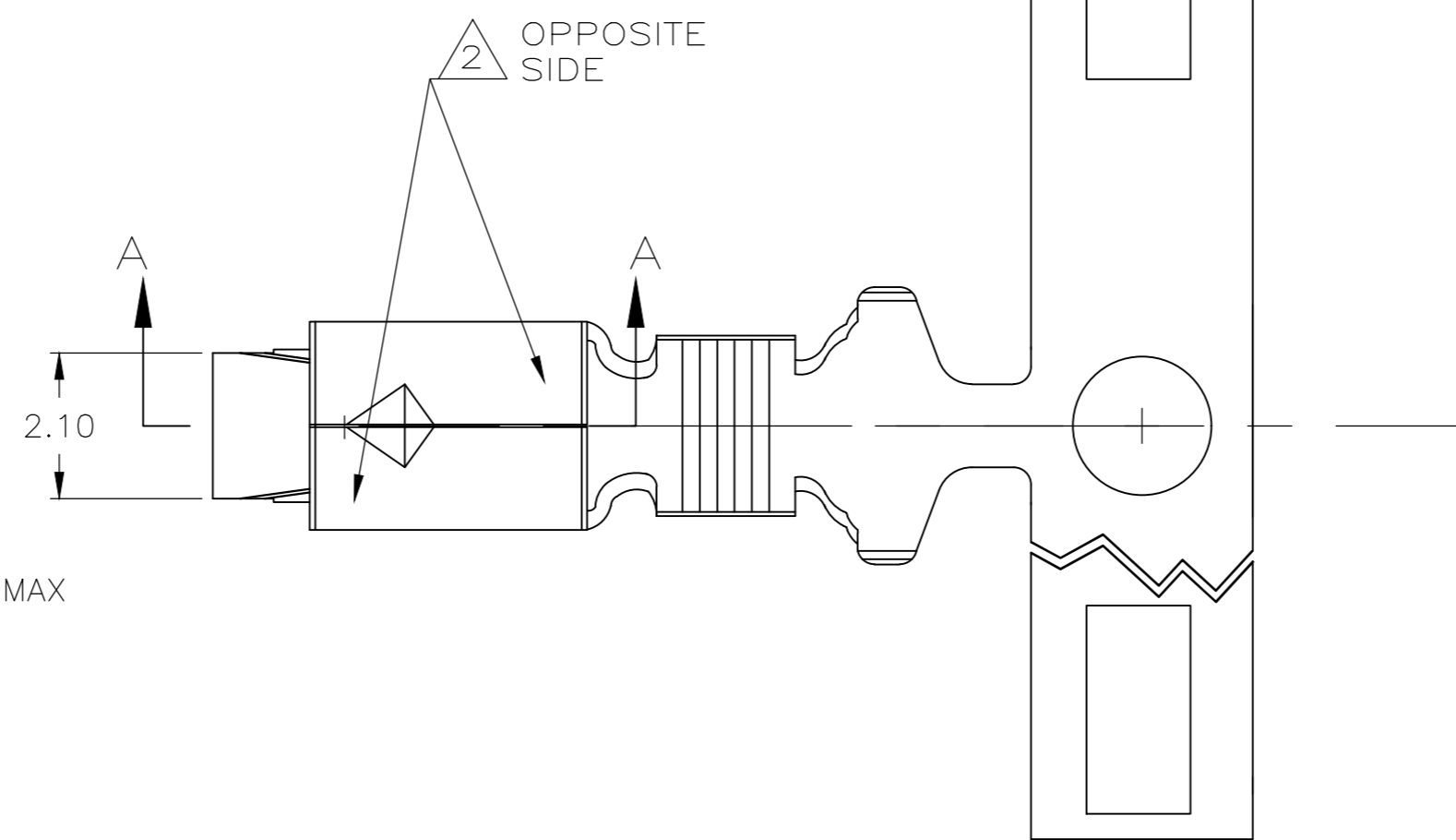
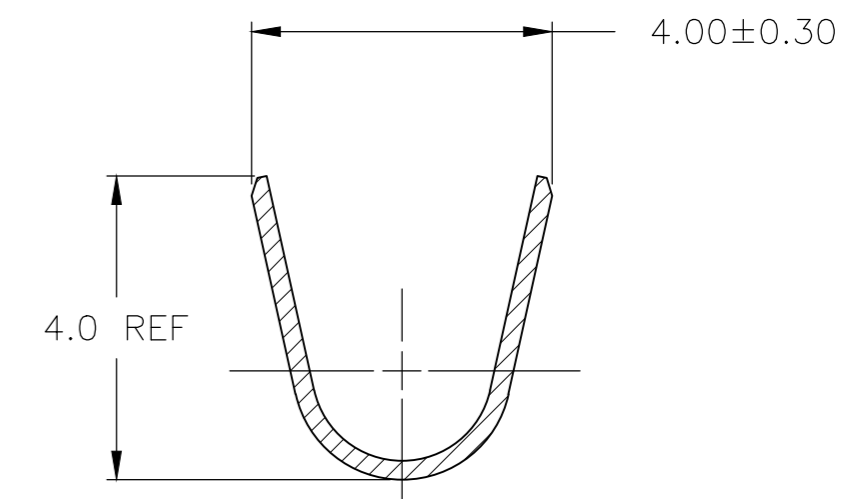


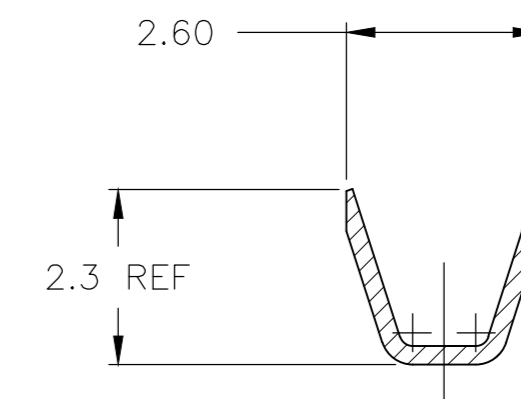
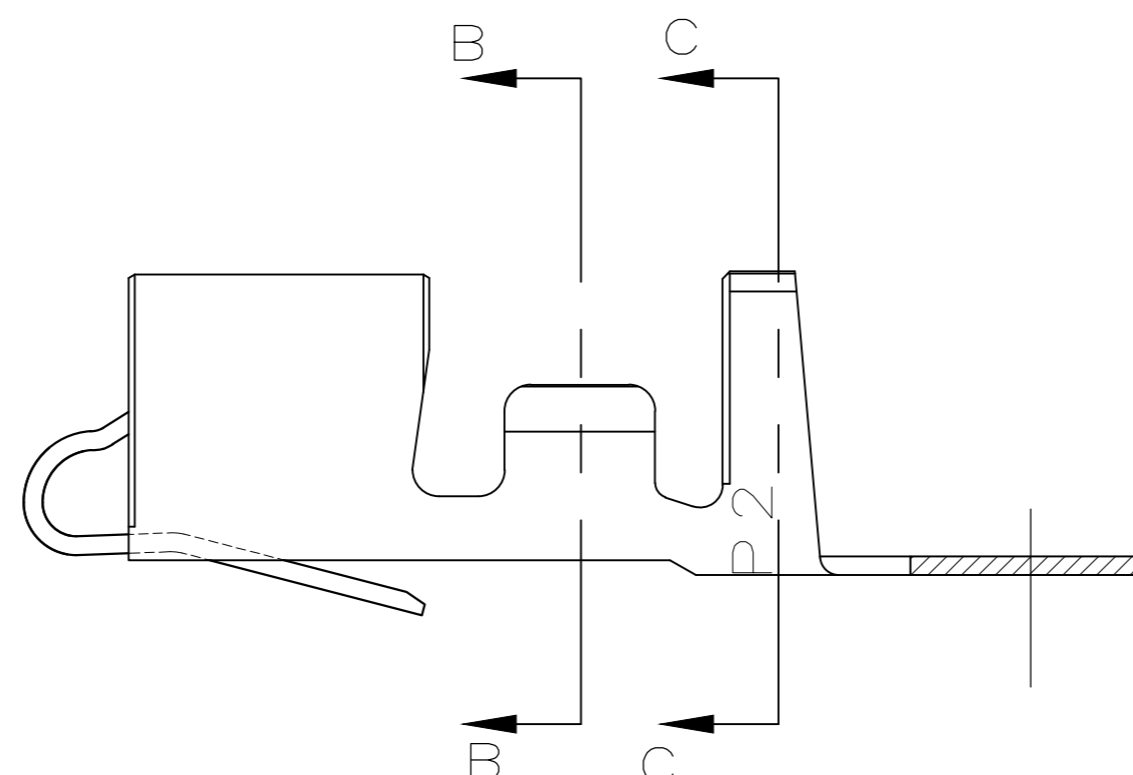
REVISIONS					
P	LTR	DESCRIPTION	DATE	DWN	APVD
	A1	REVISED PER ECR-20-100273	13AUG2020	WH	DZ



SECTION A-A
SCALE 20:1



SECTION C-C



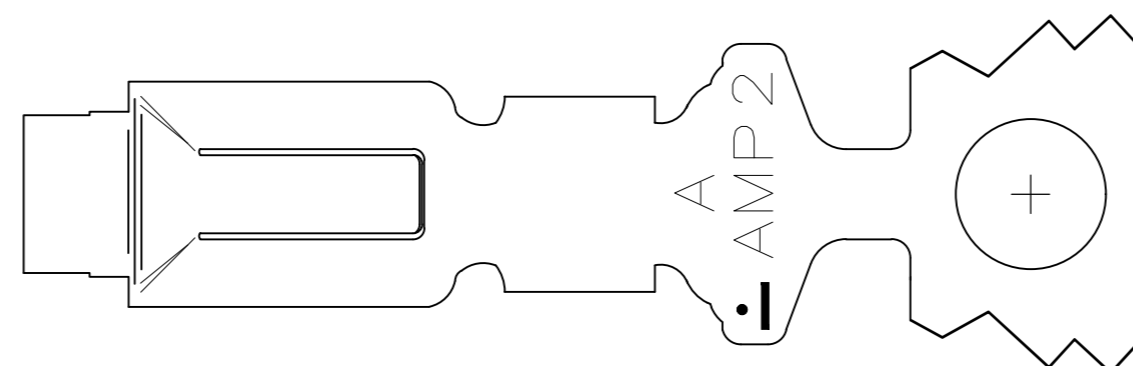
SECTION B-B

1. THIS PRODUCT CONTAINS A CUSTOMER SPECIFIED GREASE. TYCO ELECTRONICS HAS NOT EVALUATED THIS GREASE FOR USE WITH THIS CONTACT. THE CUSTOMER ASSUMES ALL RESPONSIBILITY FOR EVALUATING AND APPROVING THIS GREASED CONTACT IN THEIR APPLICATION.

2 NYETACT GREASE IS APPLIED TO THIS SURFACE.

3. WIRE RANGE: 0.30-0.89mm² [22-18 AWG]

4. INSULATION RANGE: 1.7-3.0 OUTSIDE DIA.



THIS DRAWING IS A CONTROLLED DOCUMENT.		DWN JR RUTH 24APR14	TE Connectivity		
DIMENSIONS: mm		CHK TOM MICHIELUTTI 24APR14			
TOLERANCES UNLESS OTHERWISE SPECIFIED:		APVD TOM MICHIELUTTI 24APR14	NAME CONTACT, LUBRICATED ECONOMY POWER, SPECIAL		
0 PLC ±		PRODUCT SPEC 108-5609	RESTRICTED TO		
1 PLC ± 0.5		APPLICATION SPEC 114-5253	SIZE A2	CAGE CODE 00779	DRAWING NO C-647662
2 PLC ± 0.30		WEIGHT -	SHEET 1 OF 1		
3 PLC ±		MATERIAL PHOS. BRZ	REV A1		
4 PLC ±		FINISH PRE-TIN	SCALE N/A		
ANGLES ±		CUSTOMER DRAWING			