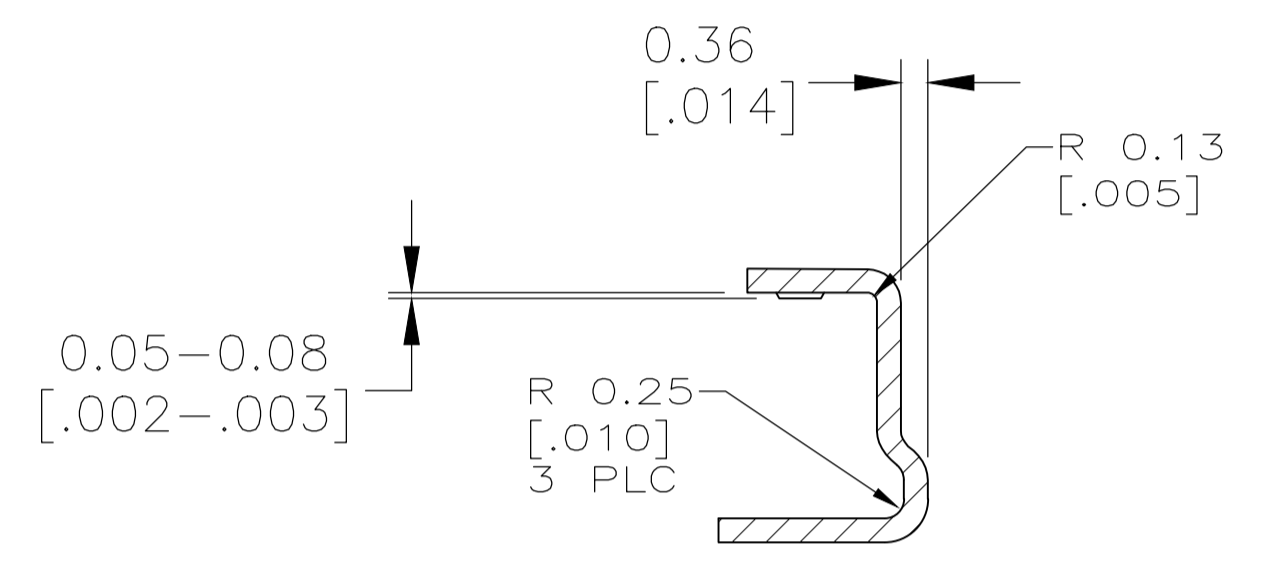
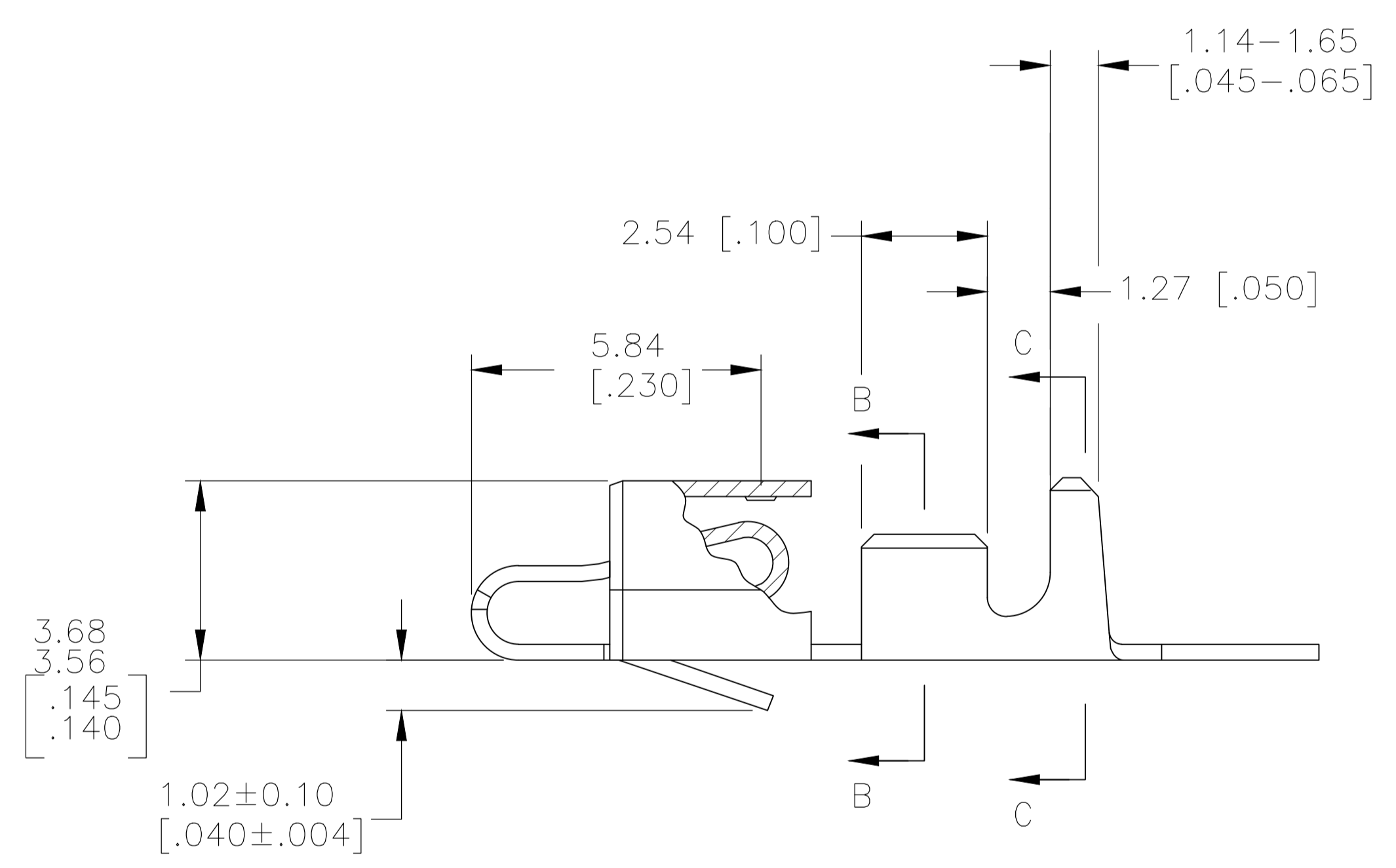
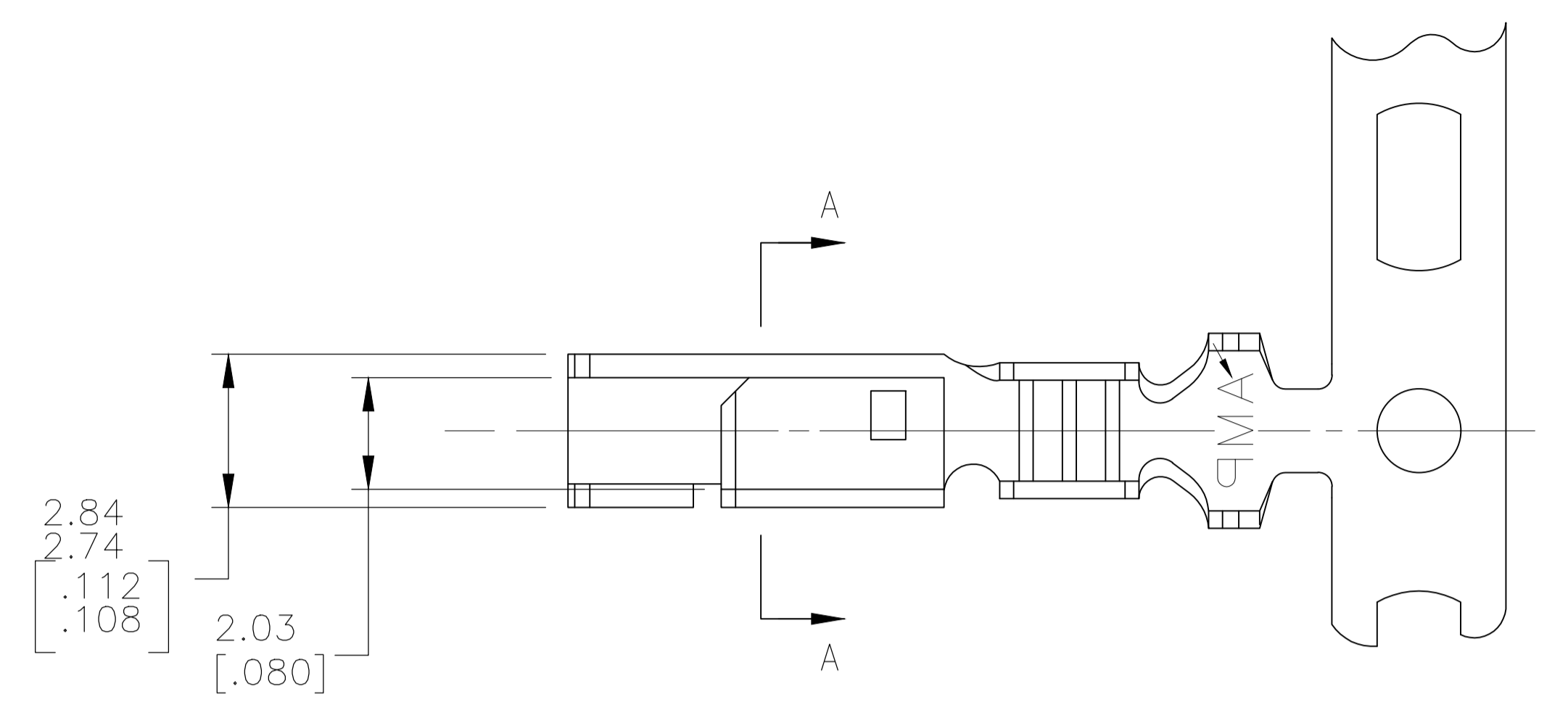
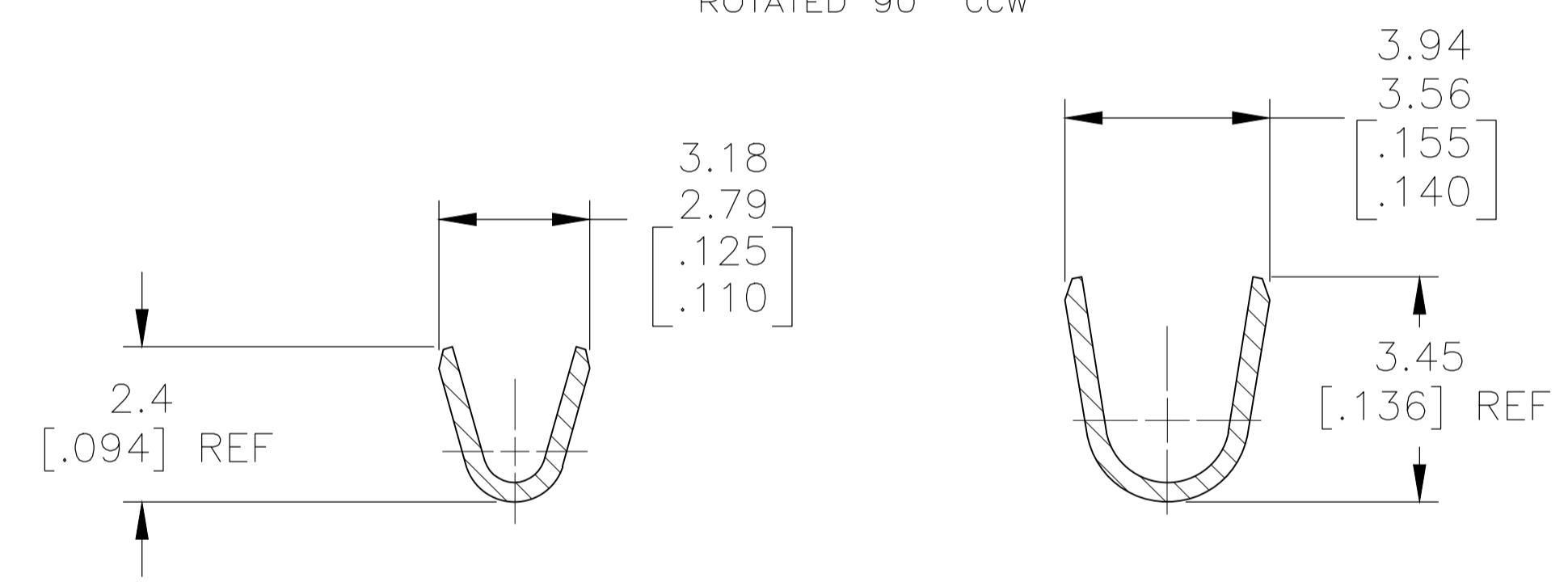


| REVISIONS | | | | |
|-----------|-----|---------------------------|-----------|--------|
| REV | LYR | DESCRIPTION | DATE | APPD |
| D1 | | REVISED PER ECR-20-005246 | 22APR2020 | BDA SW |



SECTION A-A
 ROTATED 90° CCW



- INSULATION RANGE: 1.09-2.79 [.043-.110]
 WIRE RANGE: 0.2-0.9 mm (24-18 AWG).
- 0.00203 [.000080] MIN BRIGHT TIN-LEAD OVER
 0.00127 [.000050] MIN NICKEL.
- DIMENSIONS IN BRACKETS ARE IN INCHES.
- THIS IS A RESTRICTED PRODUCT.
- THIS PRODUCT CONTAINS A CUSTOMER SPECIFIED LUBRICANT. TYCO ELECTRONICS HAS NOT EVALUATED THIS LUBE FOR USE WITH THIS CONTACT. THE CUSTOMER ASSUMES ALL RESPONSIBILITY FOR EVALUATING AND APPROVING THIS LUBRICANT IN THEIR APPLICATION.
- 0.00203 [.000080] MIN MATTE TIN OVER
 0.00127 [.000050] MIN NICKEL.
- OBSELETE PARTS

| | |
|--------|------------|
| △ | 3-647449-1 |
| △ | 647449-1 |
| FINISH | PART NO |

THIS DRAWING IS A CONTROLLED DOCUMENT.

| | | | |
|--------------------|--|--|---------------------------|
| DIMENSIONS: INCHES | TOLERANCES UNLESS OTHERWISE SPECIFIED: | DIN L. McEACHIN 24-AUG-2000 | APVD J. ELLIS 25-AUG-2000 |
| 0 PLC ± - | 1 PLC ± - | 2 PLC ± - | 3 PLC ± .005 |
| 4 PLC ± - | ANGLES ± - | NAME: SL-156, HOODED RECEPTACLE CONTACT, SPECIAL | |
| MATERIAL | FINISH | SIZE: A1 | CAGE CODE: 00779 |
| CUSTOMER DRAWING | | DRAWING NO: 647449 | RESTRICTED TO: 1 |

SCALE: 10:1 SHEET 1 OF 1 REV D1