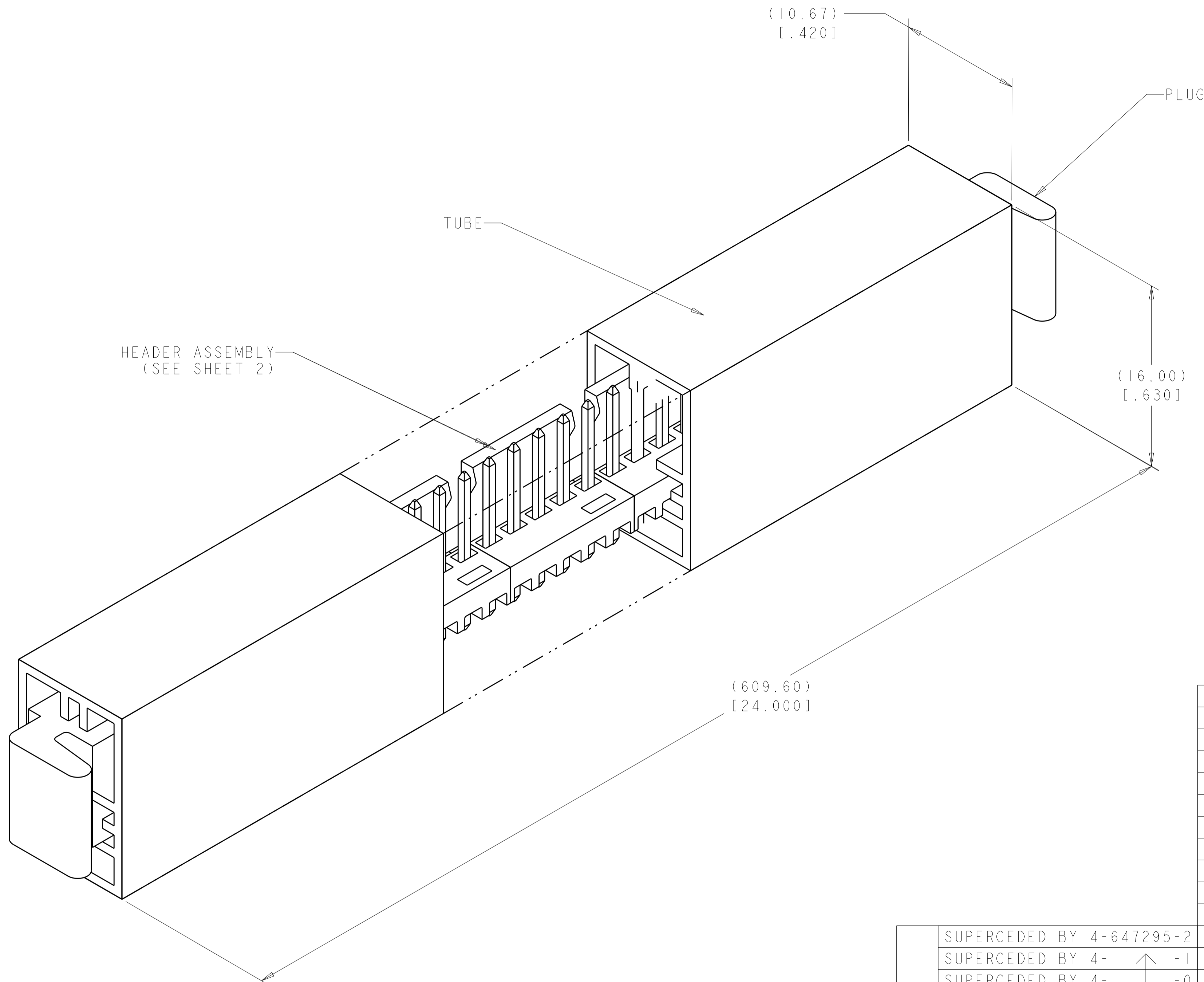


REVISIONS				
P.	LTN	DESCRIPTION	DATE	APVD
K3		REVISED PER ECR-18-004355	18JUN2018	BDA SG



- △ POST TO WITHSTAND 13 NEWTONS (3 LBS) MIN AXIAL FORCE IN BOTH DIRECTIONS SHOWN WITHOUT DISLODGING.
- △ TOLERANCES APPLY TO SOLDER SIDE OF BOARD.
- △ MEASURED AT -A-.
- 4. PARTS TO COMPLY WITH AMP SOLDERABILITY SPEC 109-11-2.
- △ ONE HOLE MAY BE UNDERSIZED 0.81 - 0.89 [.032 - .035] DIA. FOR ASSEMBLY RETENTION DURING WAVE SOLDERING.
- △ MATERIAL: HOUSING : NYLON, 4/6, HIGH TEMP, BLACK.
POST -2 THRU -12 : COPPER ALLOY TIN LEAD (93/7) PLATING
POST -32 THRU -42 : COPPER ALLOY TIN PLATE
- △ COORDINATE DIMENSION APPLIES FROM CENTER OF ACTUAL FEATURE.
- △ POST TO BE MEASURED WHEN STRIP IS HELD FLAT.
- 9. TUBE MUST MAINTAIN PART ORIENTATION AND ALLOW FREE SLIDING AT A 45° TUBE INCLINE.
- 10. DIMENSIONS IN BRACKETS ARE IN INCHES.
- △ AMP LOGO AND UL AND CSA TRADEMARKS TO APPEAR ON THIS SURFACE.
- △ OBSOLETE PARTS: OBSOLETE CIS STREAMLINING PER D.RENAUD/D.SINISI

TUBE LOADED HEADER ASSEMBLY

TIN	7.62 [.300]	12.70 [.500]	2	19	30.48 [1.200]	12	4-647295-2
TIN	-	10.16 [.400]	2	20	27.94 [1.100]	11	4-647295-1
TIN	-	7.62 [.300]	2	22	25.40 [1.000]	10	4-647295-0
TIN	-	5.08 [.200]	2	25	22.86 [.900]	9	3-647295-9
TIN	-	2.54 [.100]	2	28	20.32 [.800]	8	3-647295-8
TIN	-	-	2	32	17.78 [.700]	7	3-647295-7
TIN	-	-	2	38	15.24 [.600]	6	3-647295-6
TIN	-	-	2	45	12.70 [.500]	5	3-647295-5
TIN	-	-	2	57	10.16 [.400]	4	3-647295-4
TIN	-	-	2	76	7.62 [.300]	3	3-647295-3
TIN	-	-	2	114	5.08 [.200]	2	3-647295-2

△12	SUPERCEDED BY 4-647295-2	TIN-LEAD	7.62 [.300]	12.70 [.500]	2	19	30.48 [1.200]	12	1-647295-2
	SUPERCEDED BY 4-	TIN-LEAD	-	10.16 [.400]	2	20	27.94 [1.100]	11	1-647295-1
	SUPERCEDED BY 4-	TIN-LEAD	-	7.62 [.300]	2	22	25.40 [1.000]	10	1-647295-0
	SUPERCEDED BY 3-	TIN-LEAD	-	5.08 [.200]	2	25	22.86 [.900]	9	647295-9
	SUPERCEDED BY 3-	TIN-LEAD	-	2.54 [.100]	2	28	20.32 [.800]	8	647295-8
	SUPERCEDED BY 3-	TIN-LEAD	-	-	2	32	17.78 [.700]	7	647295-7
	SUPERCEDED BY 3-	TIN-LEAD	-	-	2	38	15.24 [.600]	6	647295-6
	SUPERCEDED BY 3-	TIN-LEAD	-	-	2	45	12.70 [.500]	5	647295-5
	SUPERCEDED BY 3-	TIN-LEAD	-	-	2	57	10.16 [.400]	4	647295-4
	SUPERCEDED BY 3-	TIN-LEAD	-	-	2	76	7.62 [.300]	3	647295-3
	SUPERCEDED BY 3-647295-2	TIN-LEAD	-	-	2	114	5.08 [.200]	2	647295-2

FINISH	W	G	PLUG	HEADER ASSEMBLIES	L	NO. OF POSN	TUBE LOADED ASSEMBLY PART NUMBER

THIS DRAWING IS A CONTROLLED DOCUMENT.

OWN: H. WHITAKER 02JAN2002
CHK: D. BOSSI 02JAN2002
APVD: D. BOSSI 02JAN2002

NAME: MTA-100 HEADER ASSY, HIGH TEMP, FRICTION LOCK, .025 SQ STR POST, TIN OR TIN-LEAD PLATED, TUBE LOADED

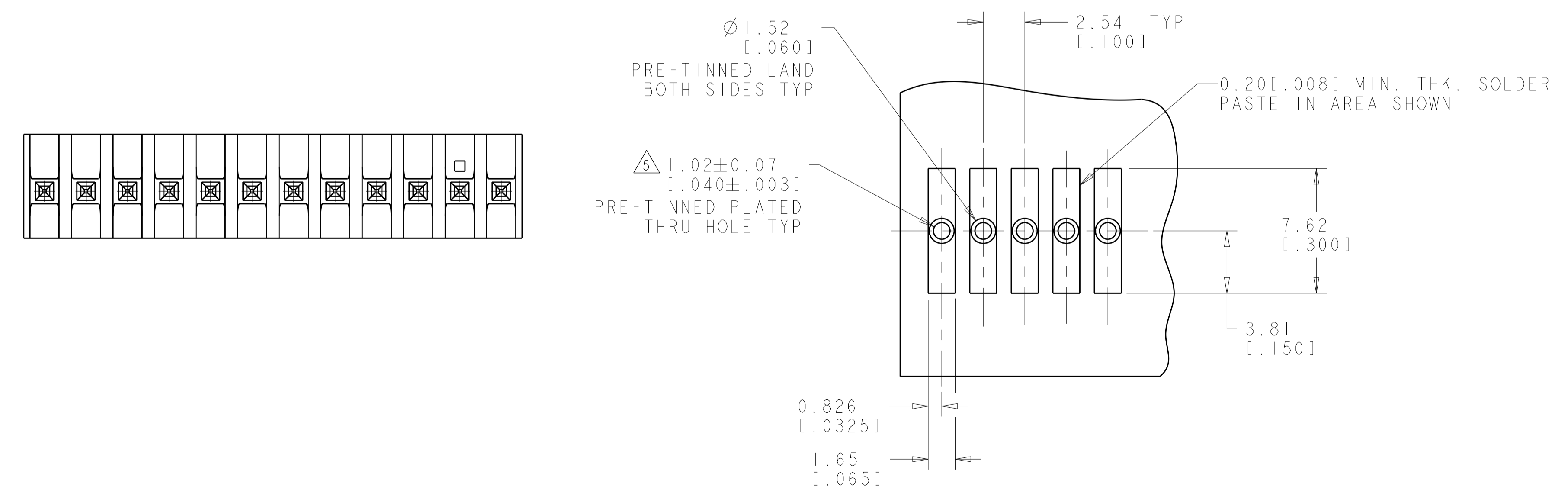
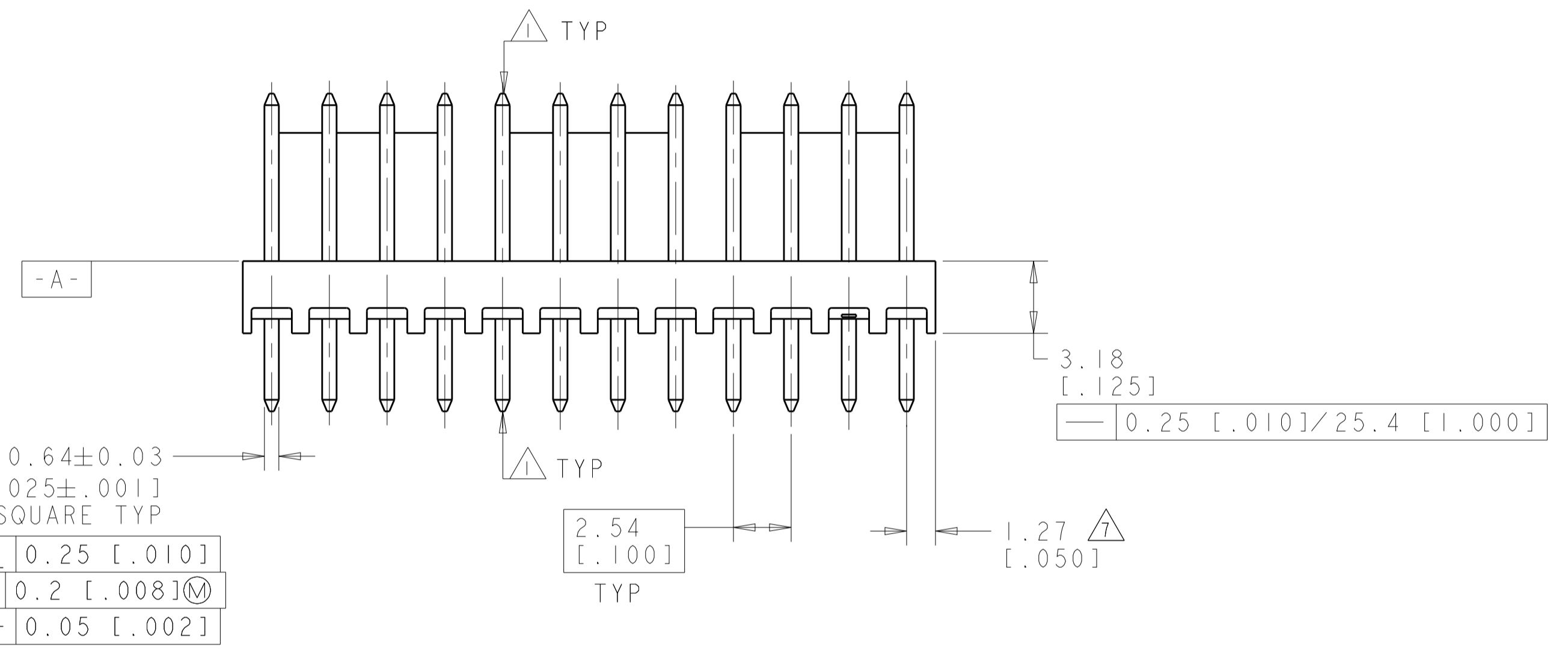
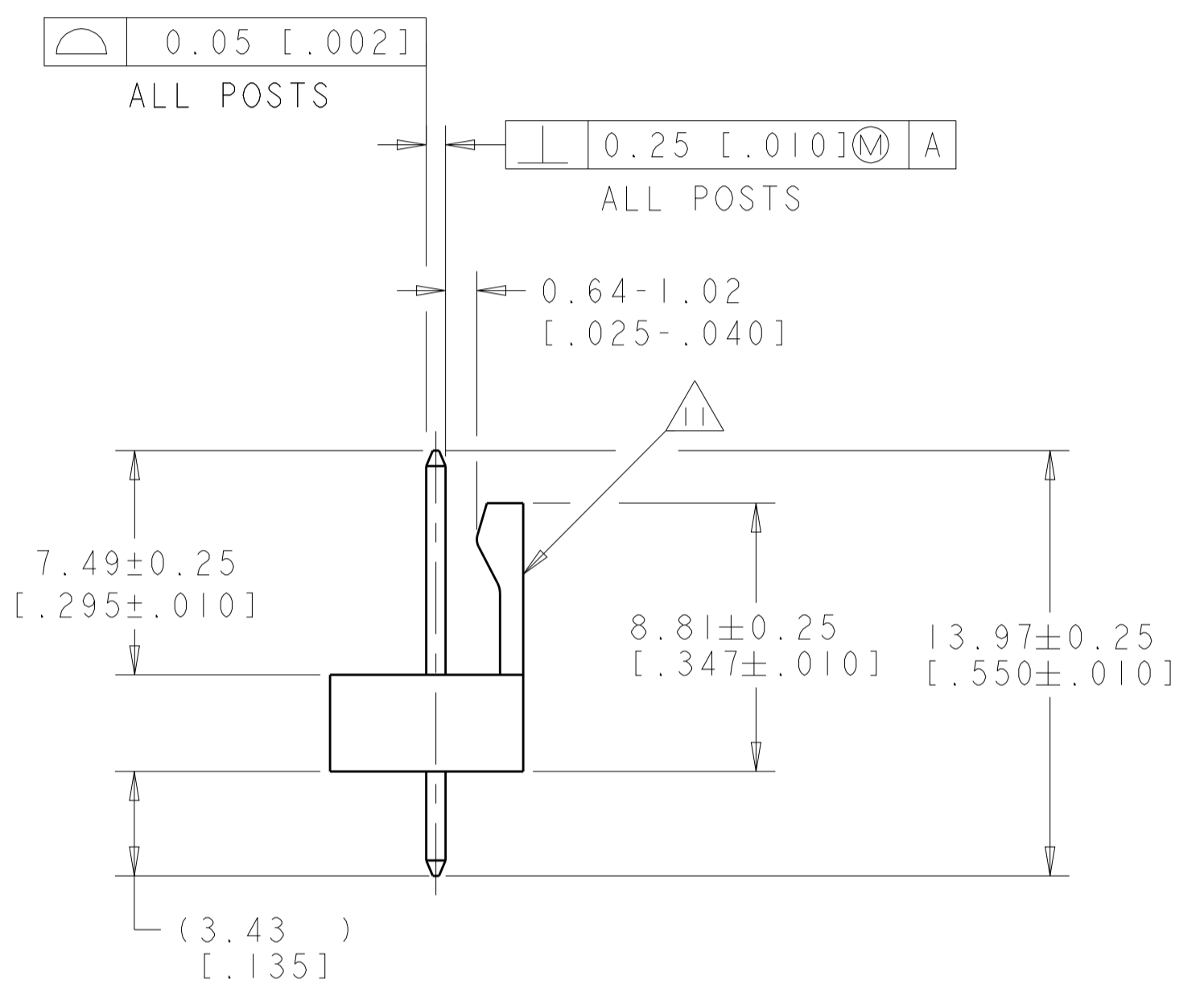
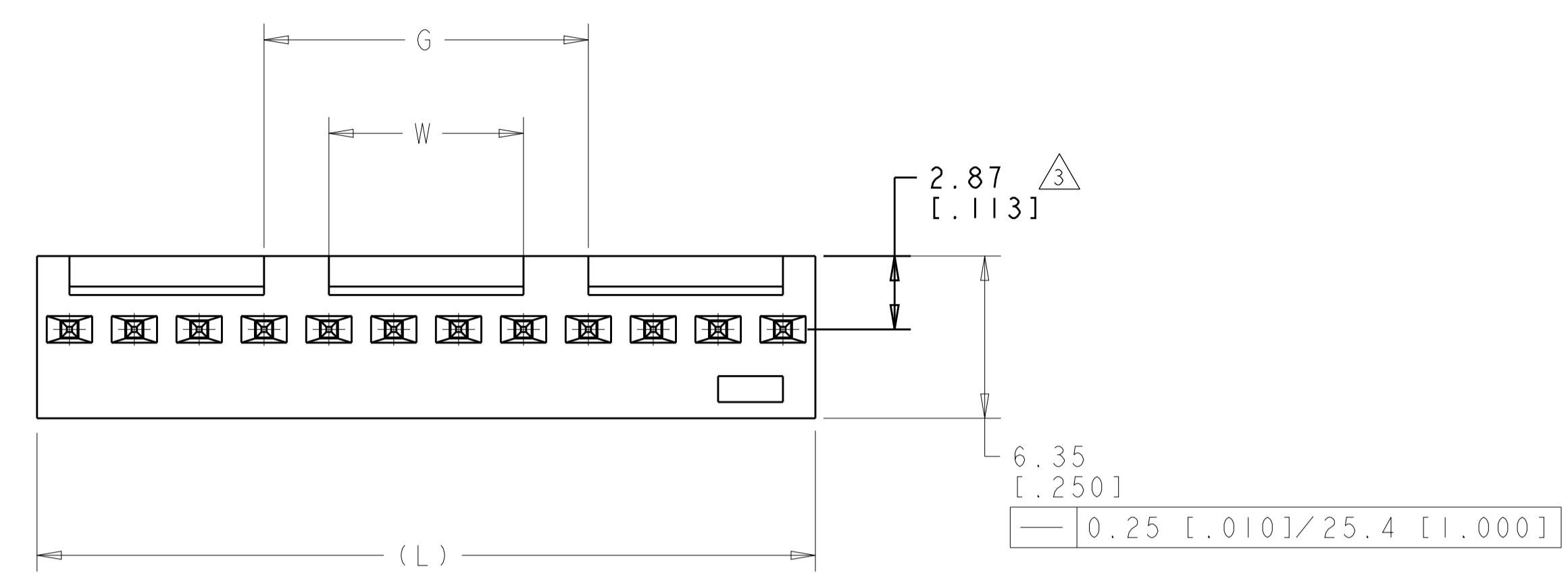
PRODUCT SPEC: APPLICATION SPEC

SIZE: A1 00779 C=647295

SCALE: 5:1 SHEET 1 OF 2 REV: K3

STE TE Connectivity

REVISIONS				
P.	LTN	DESCRIPTION	DATE	APVD
-	-	SEE SHEET 1	-	-



RECOMMENDED MOUNTING HOLE PATTERN
 FOR 1.57±0.20 [0.062±.008] THICK P.C. BOARD

THIS DRAWING IS A CONTROLLED DOCUMENT.		DWN: R. WHITAKER 02JAN2002 CHK: D. BOSSI 02JAN2002 APVD: D. BOSSI 02JAN2002	TE Connectivity
DIMENSIONS: mm [INCHES]	TOLERANCES UNLESS OTHERWISE SPECIFIED: 0 PLC ± 1 PLC ±0.38 [0.015] 2 PLC ± 3 PLC ± 4 PLC ± ANGLES 40° 30'	NAME: MTA-100 HEADER ASSY, HIGH TEMP, FRICTION LOCK, .025 SQ STR POST, TIN OR TIN-LEAD PLATED, TUBE LOADED PRODUCT SPEC: APPLICATION SPEC: SIZE: CAGE CODE: DRAWING NO: A100779 ©=647295 WEIGHT:	
MATERIAL:	FINISH:	CUSTOMER DRAWING	SCALE: 5:1 SHEET 2 OF 2 REV: K3