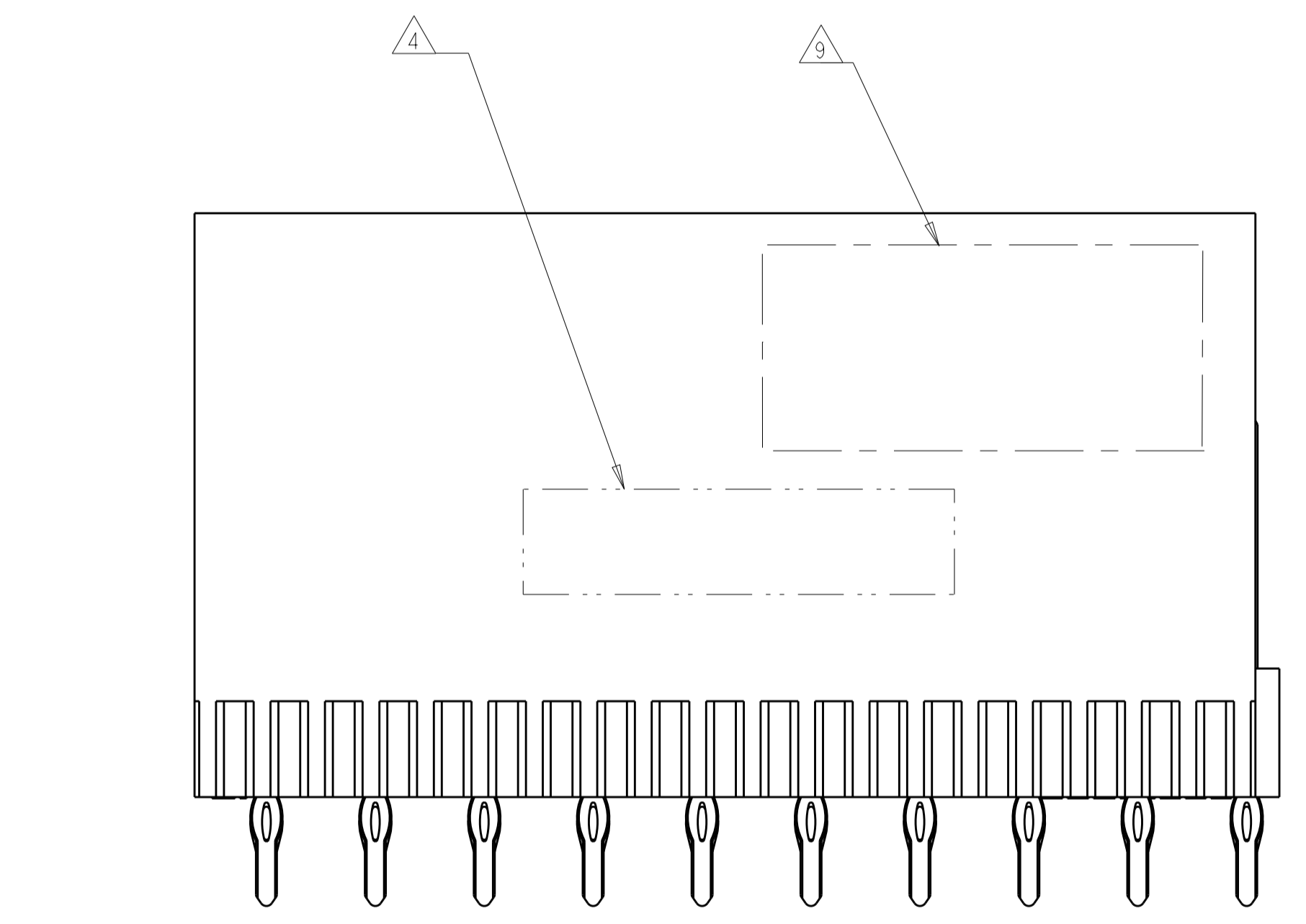
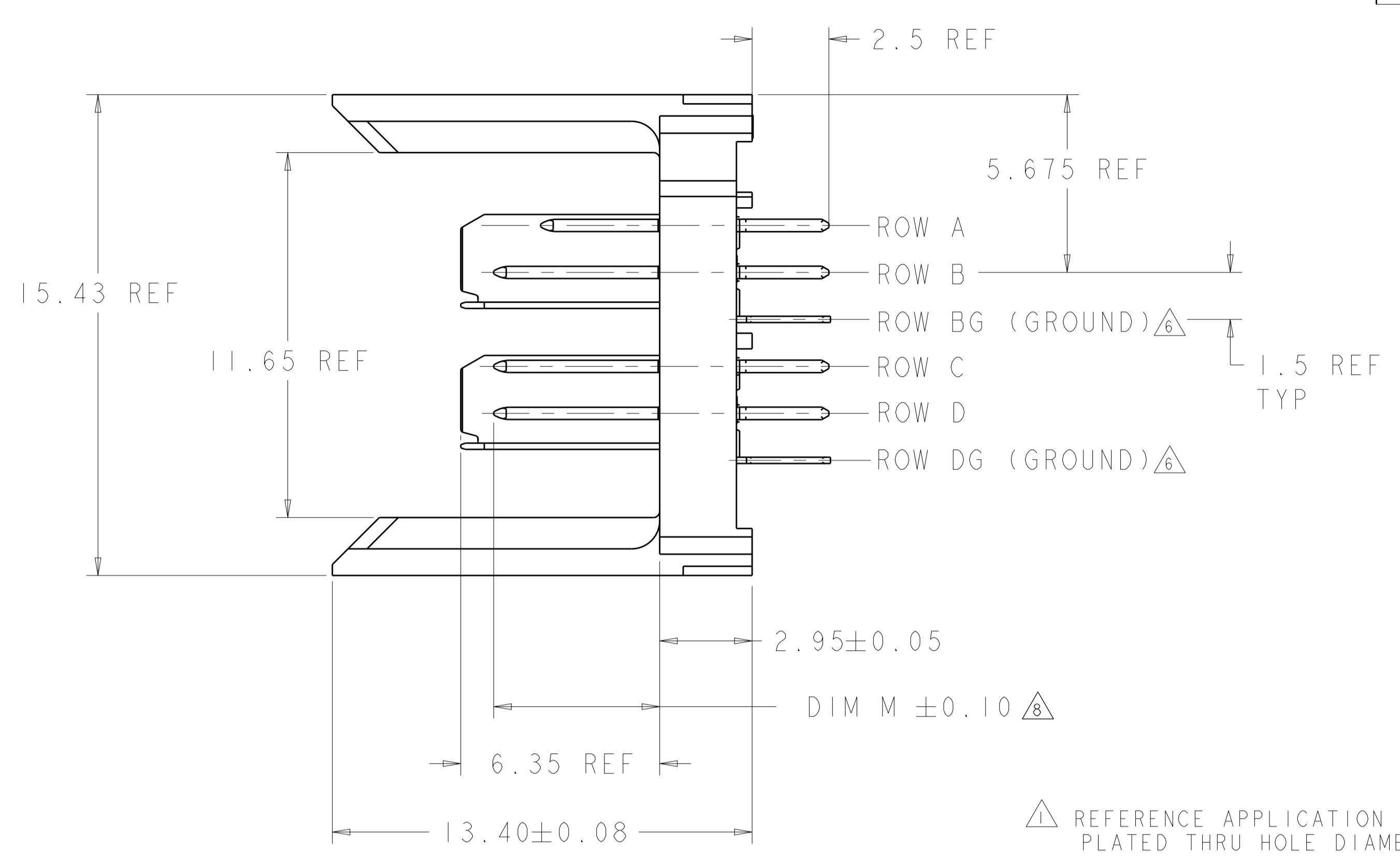
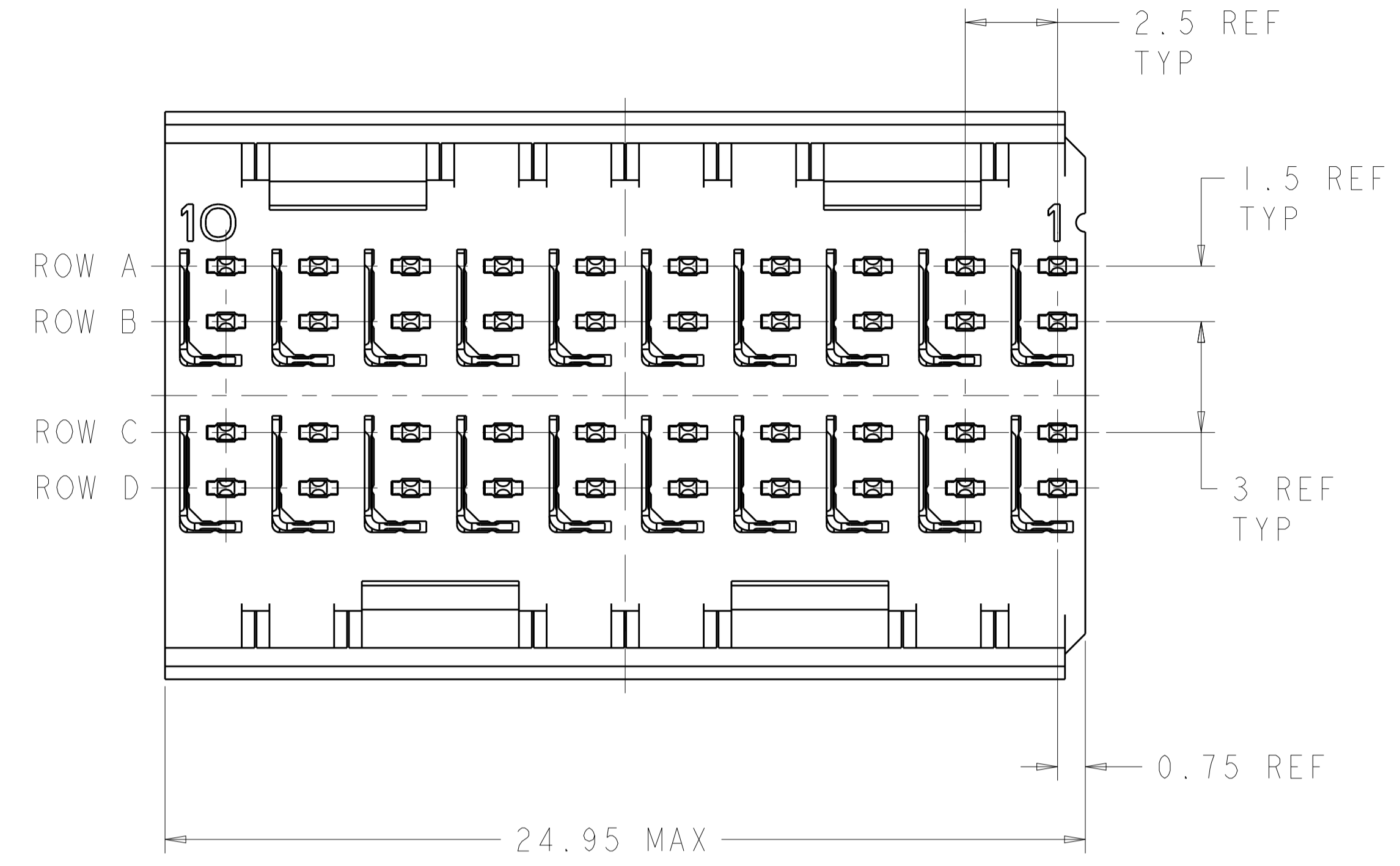


LOC	DIST	REVISIONS					
		P	LTN	DESCRIPTION	DATE	DWN	APVD
AD	00	B		REVISED PER ECO-12-000118	18JAN2012	KH	DD
		C		REVISED PER ECO-18-018129	21SEP2019	AP	DS

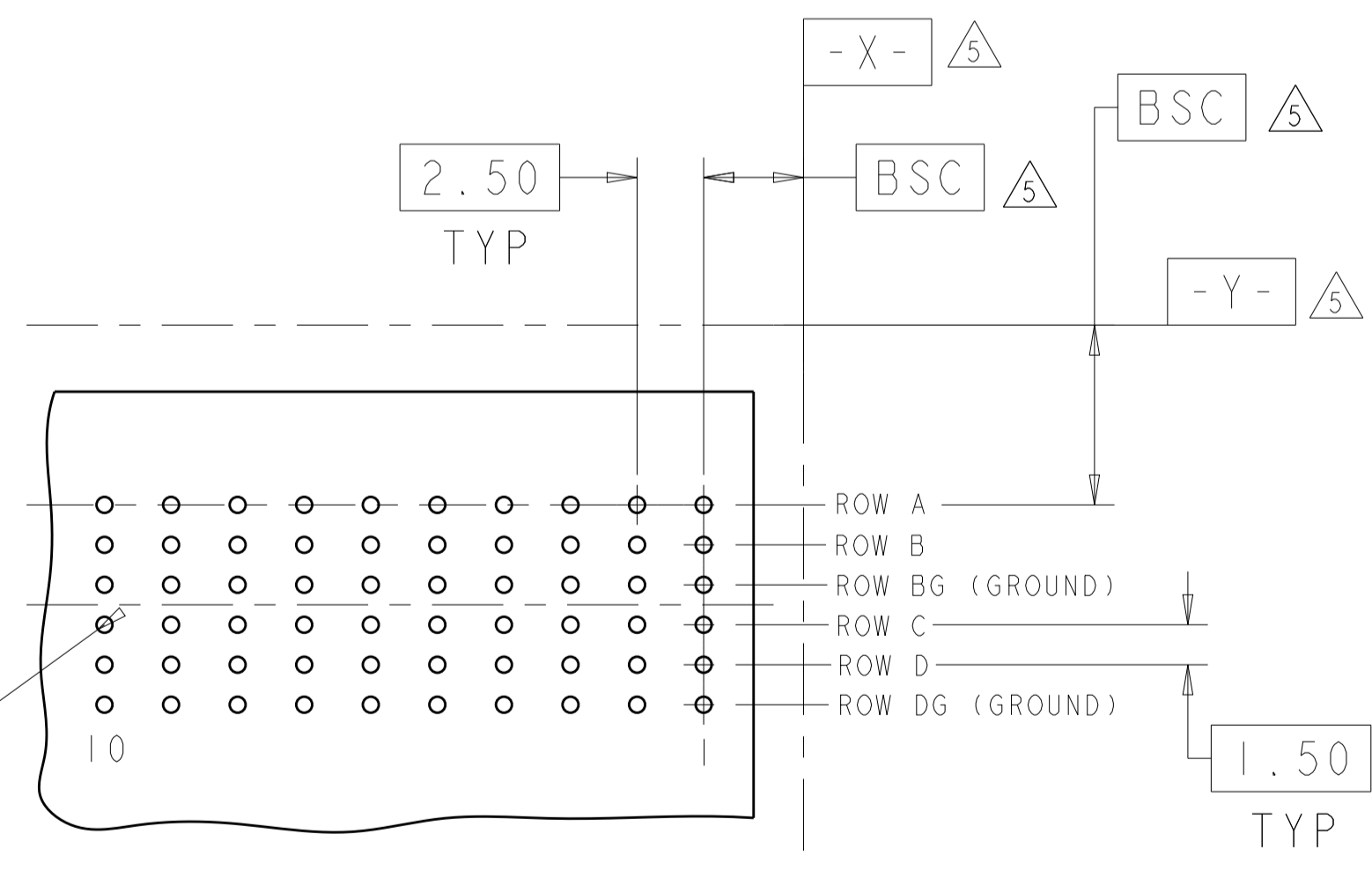


- △ REFERENCE APPLICATION SPEC 114-13059 FOR RECOMMENDED PLATED THRU HOLE DIAMETER AND PLATING THICKNESSES.
- △ MATERIAL:
CONTACT AND SHIELD - PHOSPHOR BRONZE
HOUSING - GLASS FILLED POLYESTER. UL 94V-0.
- △ FINISH: SIGNAL AND GROUND CONTACTS:
MATING AREA: MEETS THE PERFORMANCE REQUIREMENTS OF PRODUCT SPECIFICATION 108-2055; BASED ON TELCORDIA GR-1217-CORE, APPLICATIONS IN UNCONTROLLED ENVIRONMENTS
COMPLIANT PIN AREA: 0.5 μm MIN MATTE TIN OVER BASE PLATING
- △ CONNECTOR MARKED WITH PART NUMBER AND DATE CODE.
- △ DATUMS AND BASIC DIMENSIONS ESTABLISHED BY CUSTOMER.
- △ THE TWO GROUNDS IN EACH COLUMN ARE COMMONED.
- 7. CONTACT AREA LUBRICATED WITH BELLCORE APPROVED LUBRICANT. TECHNICAL REFERENCE: GR-1217-CORE, ISSUE 1, NOVEMBER 1995.
- △ REFER TO "CONTACT LAYOUT" CHART FOR SEQUENCING.
- △ TE OR TE CONNECTIVITY LOGO IS LOCATED.

CONTACT LAYOUT
 A = 3.80mm (DIM M)
 B = 5.30mm (DIM M)
 G = GROUND

		COLUMNS									
		10	9	8	7	6	5	4	3	2	1
ROWS	A	B	B	B	B	B	B	B	B	B	A
	B	B	B	B	B	B	B	B	B	B	B
	BG	G	G	G	G	G	G	G	G	G	G
	C	B	B	B	B	B	B	B	B	B	B
	D	B	B	B	B	B	B	B	B	B	B
DG	G	G	G	G	G	G	G	G	G	G	

⊕ ∅0.05Ⓢ X Y
 ALL PLATED THRU HOLES



RECOMMENDED PC BOARD LAYOUT, BACKPLANE, COMPONENT SIDE SHOWN
 SCALE 4:1

6469314-1
 PART NUMBER

THIS DRAWING IS A CONTROLLED DOCUMENT.		DWN S. J. MAGARO 25MAY2005 CHK R. PATTERSON 25MAY2005	TE Connectivity NAME: HEADER ASSEMBLY, 2 PAIR, SELECTIVELY LOADED, 2.5mm TAIL, 25mm, HMZd
DIMENSIONS:	TOLERANCES UNLESS OTHERWISE SPECIFIED:	APVD R. PATTERSON 17AUG2007	
mm	0 PLC ± 1 PLC ± 2 PLC ± 3 PLC ± 4 PLC ± ANGLES ±	PRODUCT SPEC	SIZE CAGE CODE DRAWING NO. RESTRICTED TO
MATERIAL	FINISH	APPLICATION SPEC	A100779C=6469314
CUSTOMER DRAWING		WEIGHT	SCALE 8:1 SHEET 1 OF 1 REV C