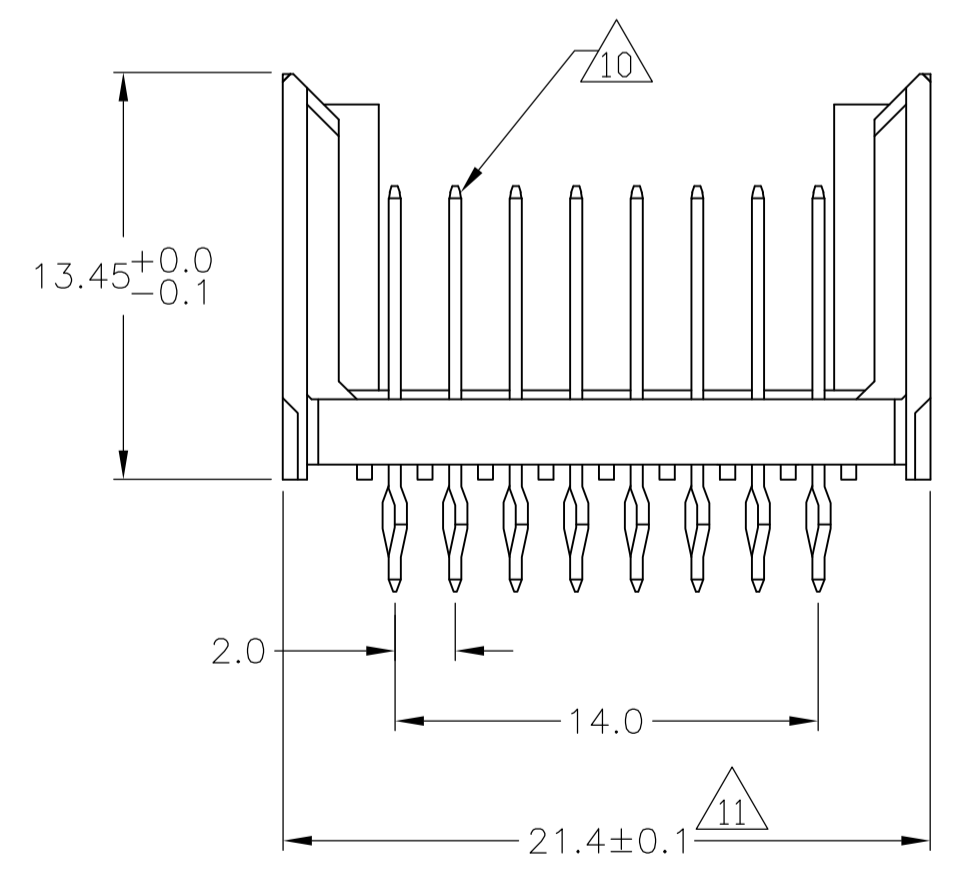
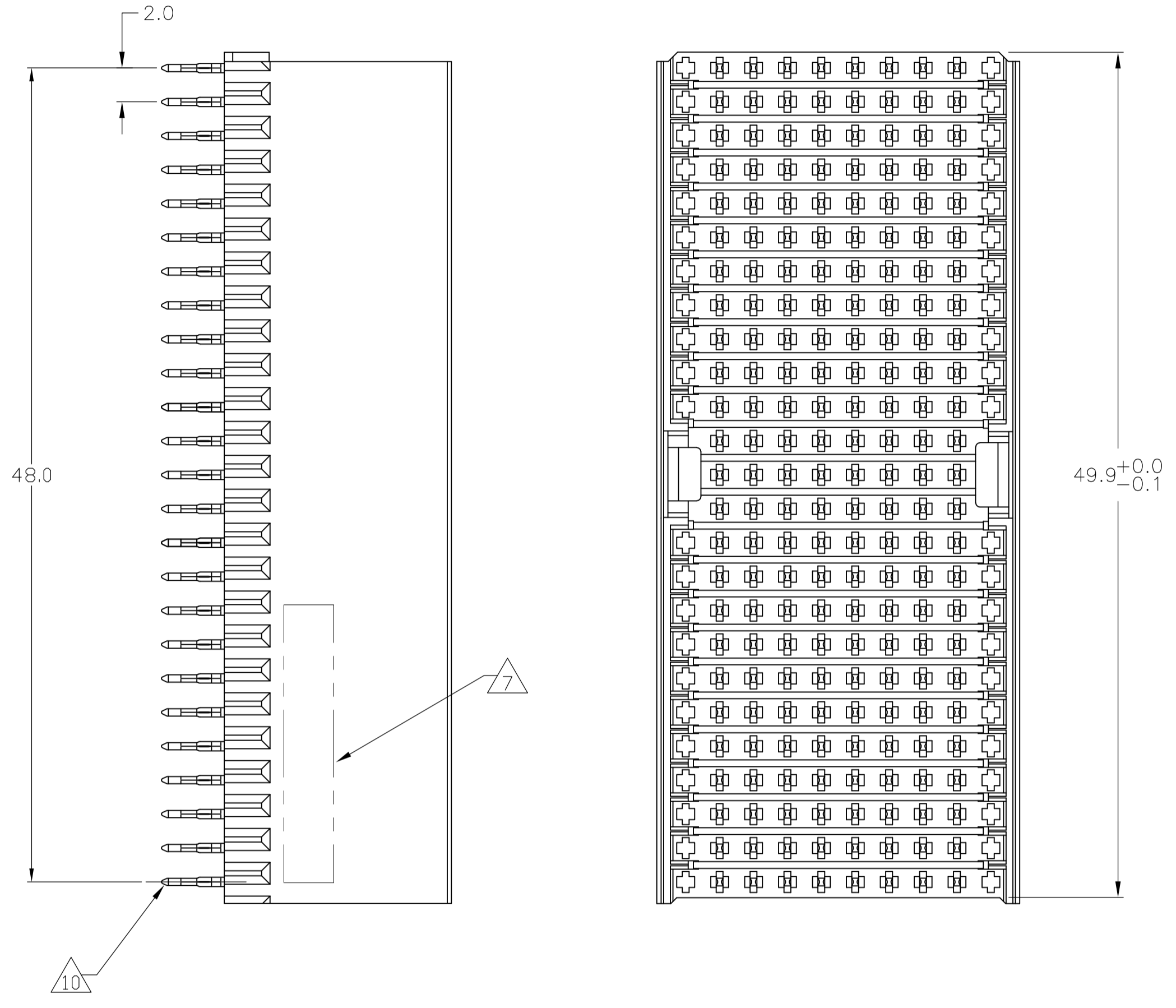
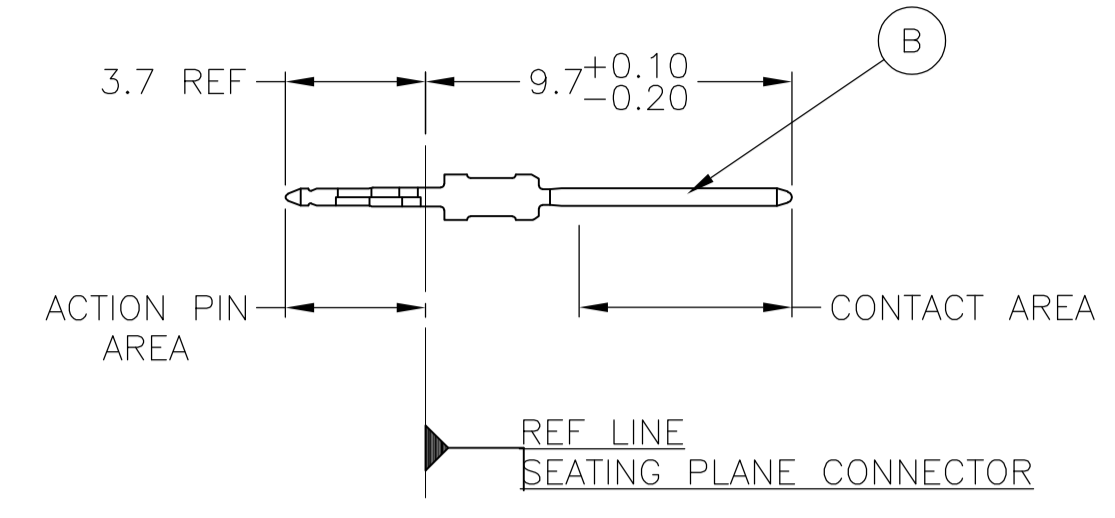


**CONNECTOR ASSEMBLY
 EXAMPLARY LOADED**



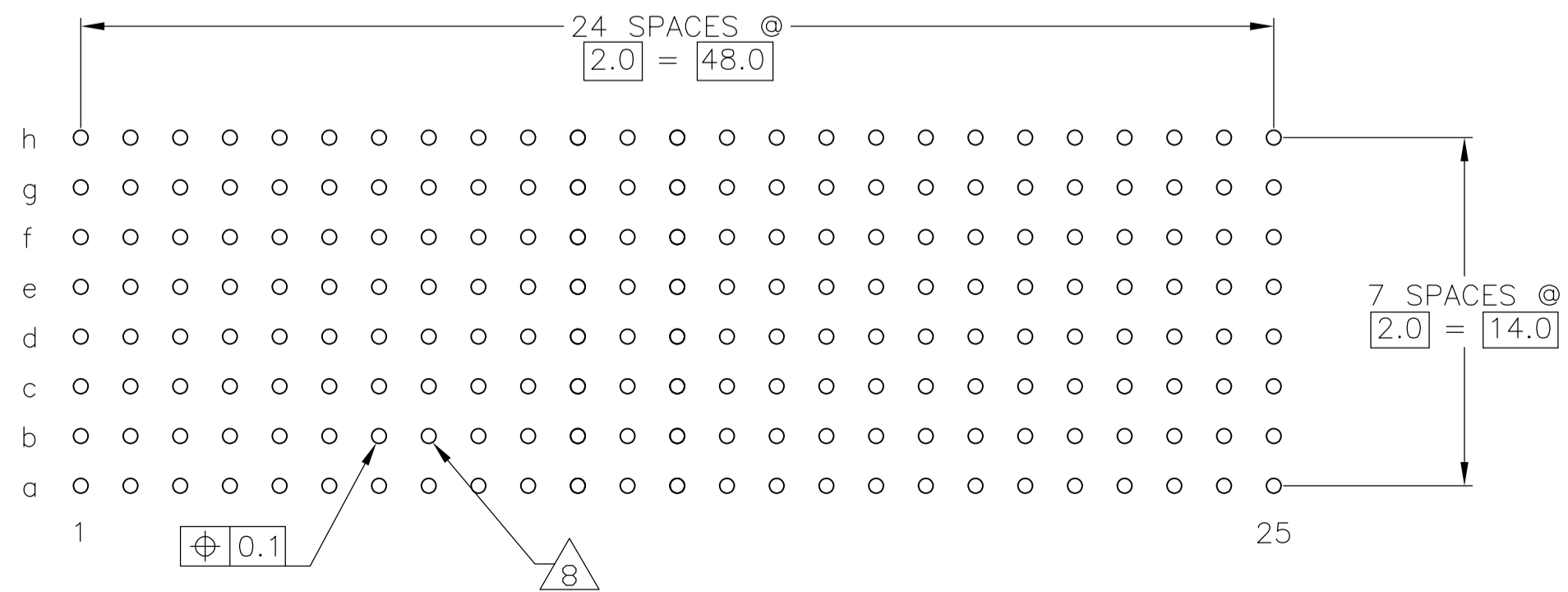
CONTACT DIMENSIONS
 SCALE 5:1



CONTACT LAYOUT

	z	a	b	c	d	e	f	g	h	i
1		B	B	B	B	B	B	B		
2		B	B	B	B	B	B	B		
3		B	B	B	B	B	B	B		
4		B	B	B	B	B	B	B		
5		B	B	B	B	B	B	B		
6		B	B	B	B	B	B	B		
7		B	B	B	B	B	B	B		
8		B	B	B	B	B	B	B		
9		B	B	B	B	B	B	B		
10		B	B	B	B	B	B	B		
11		B	B	B	B	B	B	B		
12		B	B	B	B	B	B	B		
13		B	B	B	B	B	B	B		
14		B	B	B	B	B	B	B		
15		B	B	B	B	B	B	B		
16		B	B	B	B	B	B	B		
17		B	B	B	B	B	B	B		
18		B	B	B	B	B	B	B		
19		B	B	B	B	B	B	B		
20		B	B	B	B	B	B	B		
21		B	B	B	B	B	B	B		
22		B	B	B	B	B	B	B		
23		B	B	B	B	B	B	B		
24		B	B	B	B	B	B	B		
25		B	B	B	B	B	B	B		

RECOMMENDED PCB-HOLE LAYOUT
 COMPONENT SIDE SHOWN



PLATED THRU HOLES PARAMETERS
 REFERENCE APPLICATION SPECIFICATION

	2	6	12	1-646774-9
OBSOLETE	2	5	12	646774-9
	2	4		646774-4
OBSOLETE	2	3		646774-1
	FINISH			PART NUMBER

THIS DRAWING IS A CONTROLLED DOCUMENT.

DIMENSIONS: mm	TOLERANCES UNLESS OTHERWISE SPECIFIED:	DRAWN: S. WAITMAN 15JUL05	APPROVED: G. SKIPPER 15JUL05	TYCO ELECTRONICS	Tyco Electronics Corporation Harrisburg, Pa 17105-3608
0-PLC ±	1-PLC ±0.1	APPROVED: G. SKIPPER 15JUL05	NAME: G. SKIPPER	PRODUCT SPEC: 108-1622	MALE ASSEMBLY, Z-PACK 2mm HM, TYPE D/E
2-PLC ±	3-PLC ±	MATERIAL: 1	FINISH: SEE TABLE	APPLICATION SPEC: 114-19029	SIZE: A1
4-PLC ±	ANGLES ±	WEIGHT: -	SCALE: 4:1	RESTRICTED TO: -	REV: F
CUSTOMER DRAWING			SCALE: 4:1	SHEET: 1 OF 2	REV: F

LOC		DIST		REVISIONS				
P	LTR	DESCRIPTION	DATE	DN	APVO			
AD	00	SEE SHEET 1	-	-	-			

- 1 MATERIAL:
CONTACT: PHOSPHOR BRONZE.
HOUSING: GLASS-FILLED POLYESTER.
- 2 GENERAL PLATING SPECIFICATION: UNDERPLATING
(ENTIRE CONTACT): 1.27µm MIN NICKEL AND ACTION
PIN: 0.5µm MIN TIN LEAD.
FOR PLATING OF MATING SURFACES SEE APPLICABLE
SPECIFICATION REFERENCE FOR EACH DASH NUMBER.
- 3 CONFORMS TO ALL TESTING ACCORDING TO IEC 61076-4-101
PERFORMANCE LEVEL 2.
- 4 CONFORMS TO ALL TESTING ACCORDING TO IEC 61076-4-101
PERFORMANCE LEVEL 1.
- 5 CONNECTOR TESTED AND QUALIFIED AGAINST TELCORDIA GR-1217-CORE QUALITY LEVEL 3,
CENTRAL OFFICE APPLICATIONS.
- 6 CONNECTOR TESTED AND QUALIFIED AGAINST TELCORDIA GR-1217-CORE QUALITY LEVEL 3,
UNCONTROLLED ENVIROMENT APPLICATIONS.
- 7 CONNECTOR MARKED WITH PART NUMBER AND DATE CODE.
ADDITIONAL CHARACTERS OR MARKINGS, AS WELL AS THE LOCATION OF THE MARKINGS,
MAY BE ADDED FOR TRACEABILITY BASED UPON MANUFACTURERS DISCRETION.
- 8 PLATED-THROUGH HOLES AT 2x2mm SQUARE GRID
PATTERN DEFINED BY CONTACT LAYOUT.
- 9 FOR ACTUAL PIN LOADING SEE "CONTACT LAYOUT".
- 10 FOR ACTUAL PIN DIMENSIONS SEE "CONTACT DIMENSIONS".
- 11 TO BE MEASURED AT BOTTOM OF SHROUD.
- 12 CONNECTOR LUBRICATED WITH BELCORE APPROVED LUBRICANT,
TECHNICAL REFERENCE: TR-NWT-001217 ISSUE 1, SEP 1992.
- 13 OBSOLETE PARTS: OBSOLETE CIS STREAMLINING PER D.RENAUD/D.SINISI

THIS DRAWING IS A CONTROLLED DOCUMENT.		DWN S. WAITMAN 15JUL05	Tyco Electronics Corporation Harrisburg, Pa 17105-3608	
DIMENSIONS: mm		CHK G. SKIPPER 15JUL05	NAME G. SKIPPER 15JUL05	
TOLERANCES UNLESS OTHERWISE SPECIFIED: 0-PLC ± 1-PLC ±0.1 2-PLC ± 3-PLC ± 4-PLC ± ANGLES ±		PRODUCT SPEC 108-1622		MALE ASSEMBLY, Z-PACK 2mm HM, TYPE D/E
MATERIAL SEE SHEET 1		APPLICATION SPEC 114-19029		RESTRICTED TO -
FINISH SEE SHEET 1		WEIGHT -		SIZE A1
CUSTOMER DRAWING		SCALE 4:1		SHEET 2 OF 2
		DRAWING NO 00779		REV F
		C=646774		