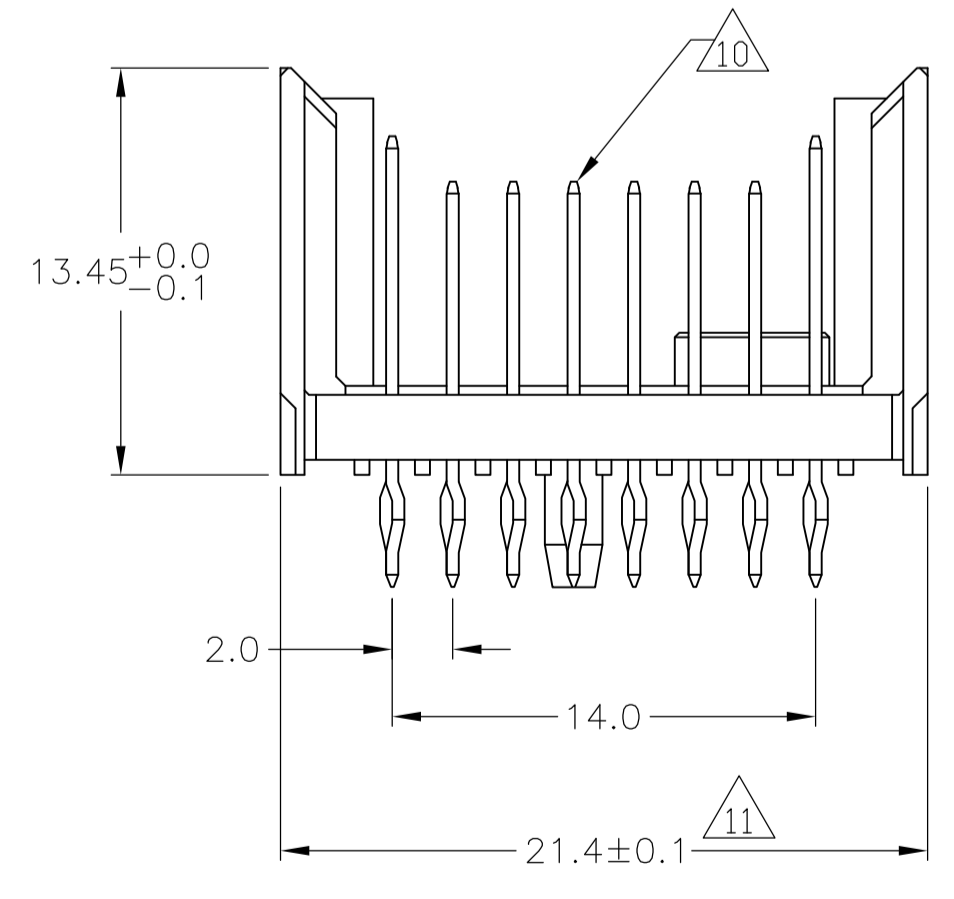
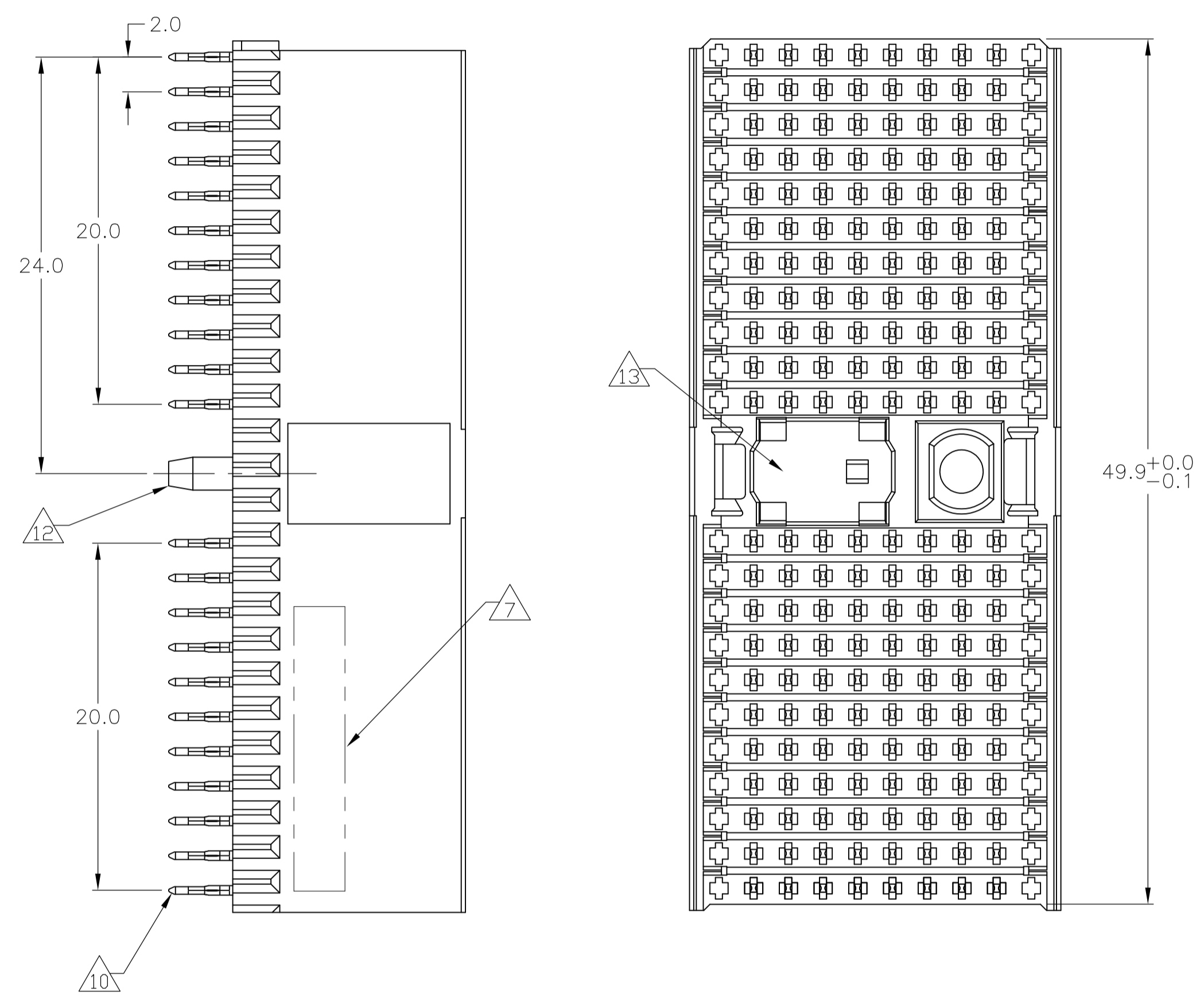
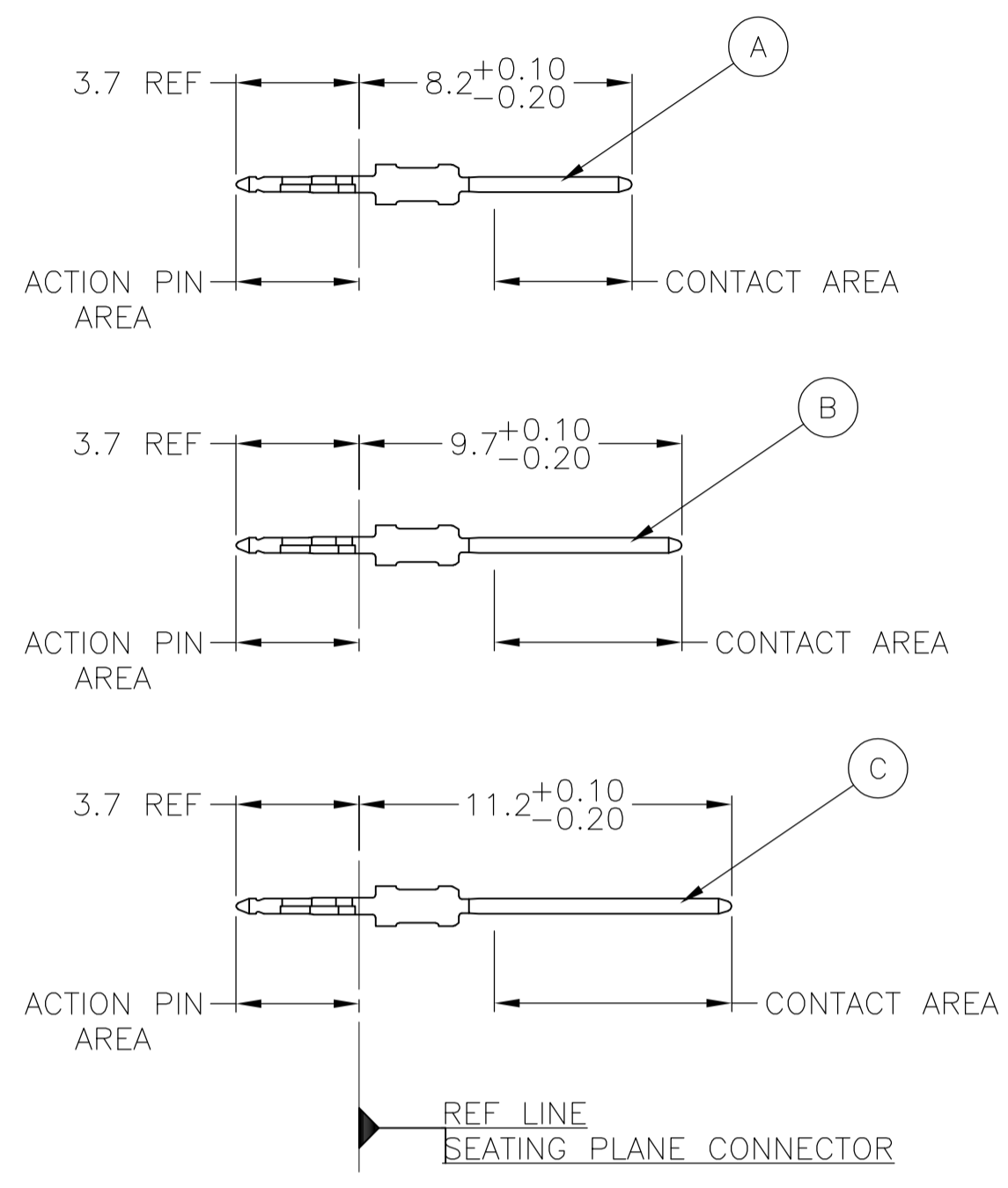


CONNECTOR ASSEMBLY  
 EXAMPLARY LOADED



CONTACT DIMENSIONS  
 SCALE 5:1

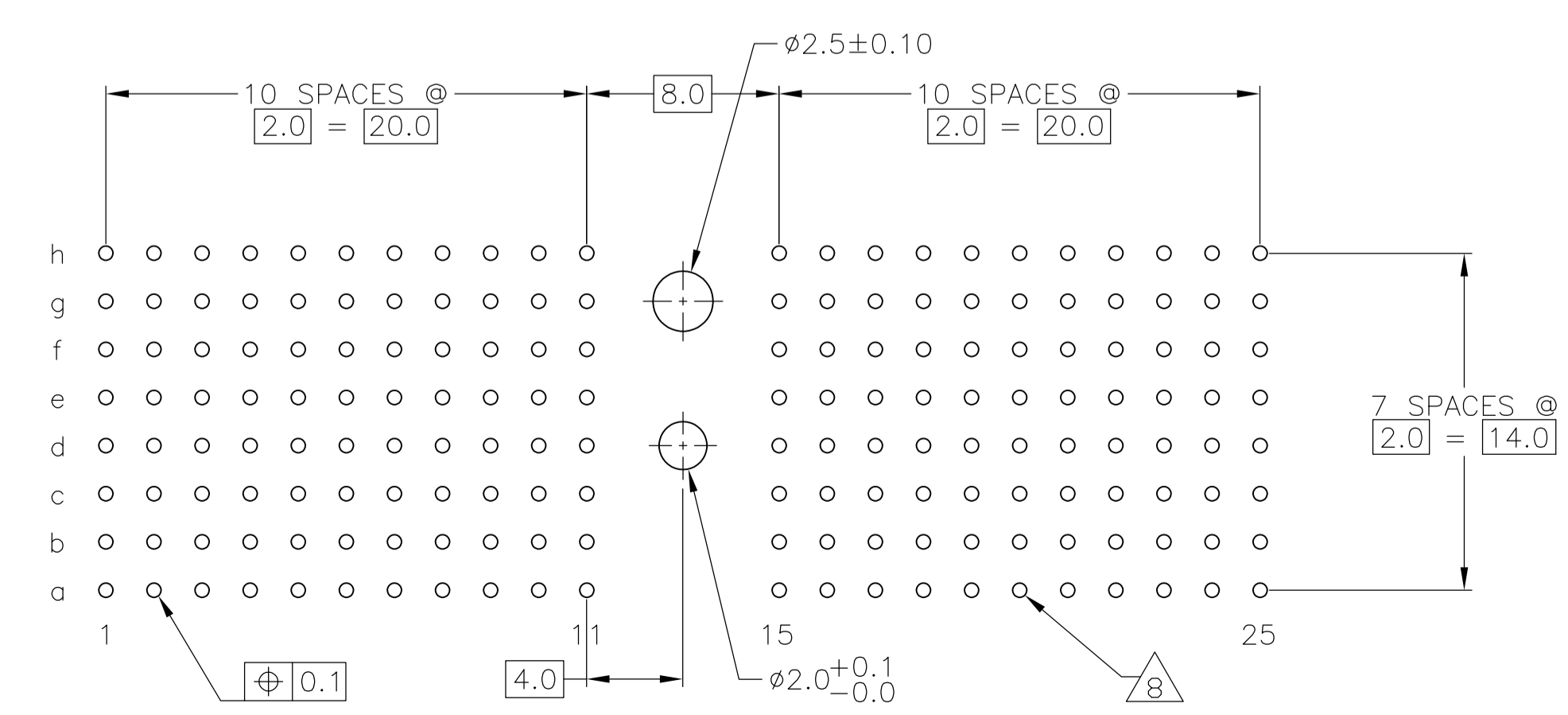


CONTACT LAYOUT

	z	a	b	c	d	e	f	g	h	i
1	B	B	B	B	B	B	B	B		
2	C	B	B	B	B	B	B	C		
3	B	B	B	B	B	B	B	B		
4	C	B	B	B	B	B	B	C		
5	B	B	B	B	B	B	B	B		
6	C	B	B	B	B	B	B	C		
7	B	B	B	B	B	B	B	B		
8	B	B	B	B	B	B	B	B		
9	B	B	B	B	B	B	B	B		
10	B	B	B	B	B	B	B	B		
11	B	B	B	B	B	B	B	B		
MULTI PURPOSE CENTER										
15	B	B	B	B	B	B	B	B		
16	B	B	B	B	B	B	B	B		
17	B	B	B	B	B	B	B	B		
18	B	B	B	B	B	B	B	B		
19	B	B	B	B	B	B	B	B		
20	B	B	B	B	B	B	B	B		
21	B	B	B	A	B	B	B	B		
22	B	B	B	B	B	B	B	B		
23	C	B	B	B	B	B	B	C		
24	C	B	B	B	B	B	B	C		
25	C	B	B	B	B	B	B	C		

RECOMMENDED PCB-HOLE LAYOUT  
 COMPONENT SIDE SHOWN

PLATED THRU HOLES PARAMETERS  
 REFERENCE APPLICATION SPECIFICATION



2	6	14	1-646713-9
2	5	14	646713-9
2	4	14	646713-4
2	3	14	646713-1
OBSOLETE			
FINISH		PART NUMBER	

THIS DRAWING IS A CONTROLLED DOCUMENT.

DIMENSIONS: mm  
 TOLERANCES UNLESS OTHERWISE SPECIFIED:  
 0-PLC ±  
 1-PLC ±0.1  
 2-PLC ±0.1  
 3-PLC ±0.1  
 4-PLC ±0.1  
 ANGLES ±0.1°

MATERIAL: 1  
 FINISH: SEE TABLE

THIS DRAWING IS A CONTROLLED DOCUMENT.  
 DWG: S. WAITMAN 15JUL05  
 CHK: G. SKIPPER 15JUL05  
 APVD: G. SKIPPER 15JUL05  
 PRODUCT SPEC: 108-1622  
 APPLICATION SPEC: 114-19029  
 WEIGHT: -  
 CUSTOMER DRAWING

Tyco Electronics Corporation  
 Harrisburg, Pa 17105-3608  
 NAME: MALE ASSEMBLY, Z-PACK 2mm HM, TYPE D  
 SIZE: A1  
 CAGE CODE: 00779  
 DRAWING NO: 646713  
 RESTRICTED TO: -  
 SCALE: 4:1  
 SHEET: 1 OF 2  
 REV: D

THIS DRAWING IS UNPUBLISHED. RELEASED FOR PUBLICATION  
COPYRIGHT BY TYCO ELECTRONICS CORPORATION. ALL RIGHTS RESERVED.

LOC		DIST		REVISIONS			
P	LTR	DESCRIPTION	DATE	DN	APVD		
AD	00	SEE SHEET 1	-	-	-	-	-

- 1 MATERIAL:  
CONTACT: PHOSPHOR BRONZE.  
HOUSING: GLASS-FILLED POLYESTER.
- 2 GENERAL PLATING SPECIFICATION: UNDERPLATING  
(ENTIRE CONTACT): 1.27µm MIN NICKEL AND ACTION  
PIN: 0.5µm MIN TIN\LEAD.  
FOR PLATING OF MATING SURFACES SEE APPLICABLE  
SPECIFICATION REFERENCE FOR EACH DASH NUMBER.
- 3 CONFORMS TO ALL TESTING ACCORDING TO IEC 61076-4-101  
PERFORMANCE LEVEL 2.
- 4 CONFORMS TO ALL TESTING ACCORDING TO IEC 61076-4-101  
PERFORMANCE LEVEL 1.
- 5 CONNECTOR TESTED AND QUALIFIED AGAINST TELCORDIA GR-1217-CORE QUALITY LEVEL 3,  
CENTRAL OFFICE APPLICATIONS.
- 6 CONNECTOR TESTED AND QUALIFIED AGAINST TELCORDIA GR-1217-CORE QUALITY LEVEL 3,  
UNCONTROLLED ENVIROMENT APPLICATIONS.
- 7 CONNECTOR MARKED WITH PART NUMBER AND DATE CODE.  
ADDITIONAL CHARACTERS OR MARKINGS, AS WELL AS THE LOCATION OF THE MARKINGS,  
MAY BE ADDED FOR TRACEABILITY BASED UPON MANUFACTURERS DISCRETION.
- 8 PLATED-THROUGH HOLES AT 2x2mm SQUARE GRID  
PATTERN DEFINED BY CONTACT LAYOUT.
- 9 FOR ACTUAL PIN LOADING SEE "CONTACT LAYOUT".
- 10 FOR ACTUAL PIN DIMENSIONS SEE "CONTACT DIMENSIONS".
- 11 TO BE MEASURED AT BOTTOM OF SHROUD.
- 12 POLARIZATION FEATURE.
- 13 AREA RESERVED FOR KEYING PART (BASIC P/N 100525).
- 14 CONNECTOR LUBRICATED WITH BELCORE APPROVED LUBRICANT,  
TECHNICAL REFERENCE: TR-NWT-001217 ISSUE 1, SEP 1992.

THIS DRAWING IS A CONTROLLED DOCUMENT.		DIN S. WAITMAN 15JUL05		Tyco Electronics Corporation Harrisburg, Pa 17105-3608	
DIMENSIONS: mm		GSKIPPER 15JUL05		Tyco Electronics	
TOLERANCES UNLESS OTHERWISE SPECIFIED: ±0.2		GSKIPPER 15JUL05		NAME	
0-PLC ±		GSKIPPER 15JUL05		PRODUCT SPEC	
1-PLC ±0.1		GSKIPPER 15JUL05		108-1622	
2-PLC ±		GSKIPPER 15JUL05		APPLICATION SPEC	
3-PLC ±		GSKIPPER 15JUL05		114-19029	
4-PLC ±		GSKIPPER 15JUL05		SIZE CAGE CODE DRAWING NO	
ANGLES ±1°		GSKIPPER 15JUL05		A1 00779 C=646713	
MATERIAL SEE SHEET 1	FINISH SEE SHEET 1	WEIGHT	—	RESTRICTED TO	—
CUSTOMER DRAWING		SCALE	4:1	SHEET	2 OF 2