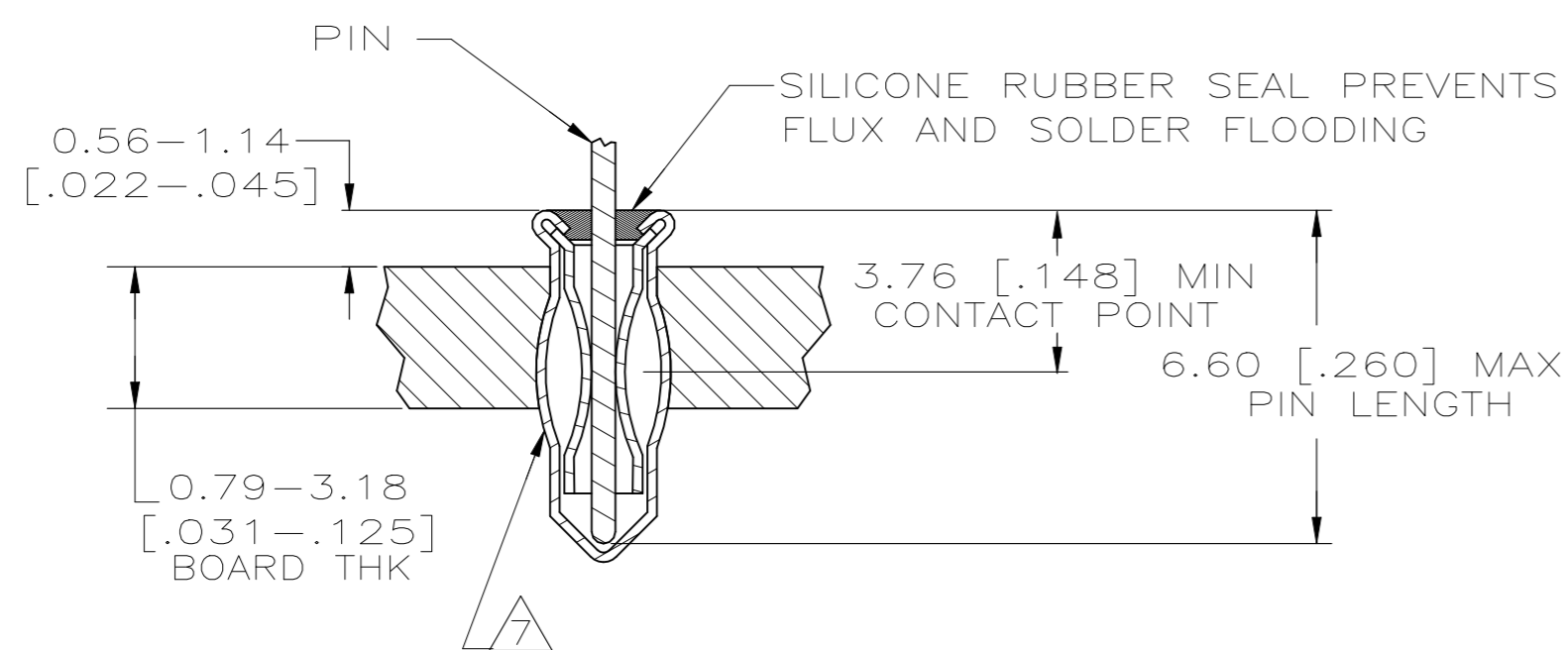
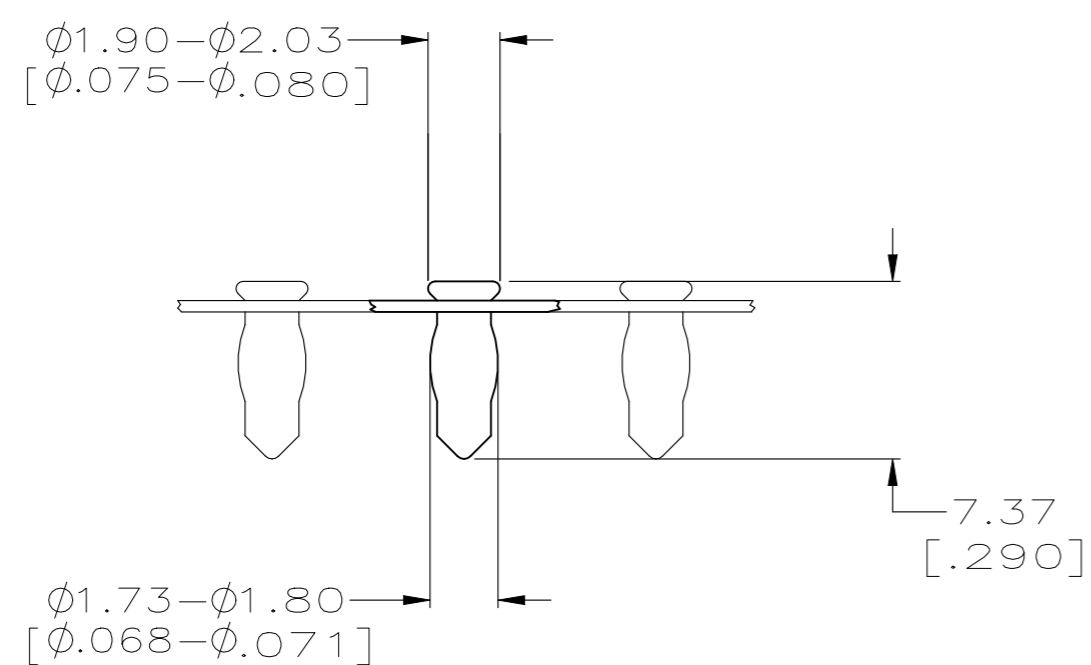
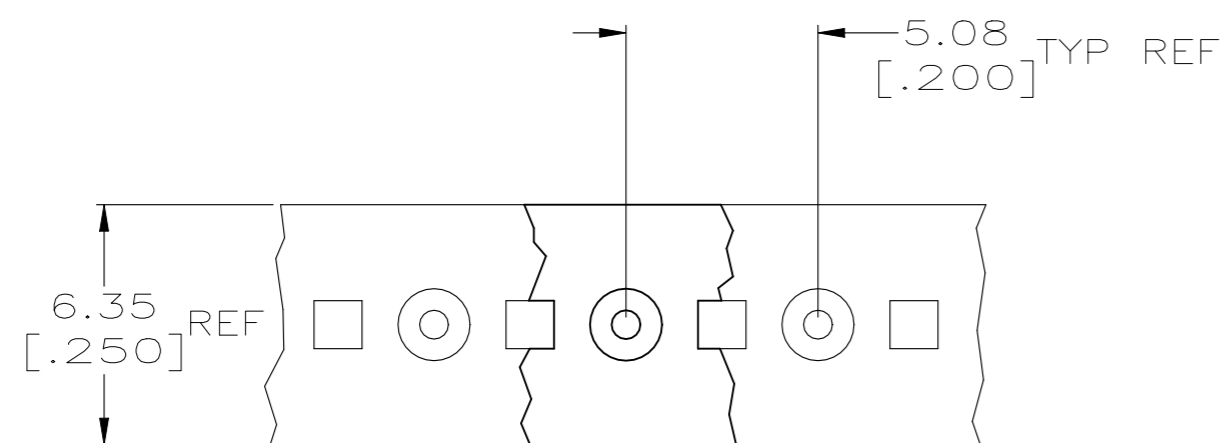


REVISIONS					
P	LTR	DESCRIPTION	DATE	DWN	APVD
E2		REVISED AS PER ECR-24-199424	07FEB2024	NR	JK



- 1 MATERIAL:  
EYELET - COPPER (QQ-C-576)  
SPRING - BERYLLIUM COPPER (QQ-C-533)  
SEALANT - SILICONE RUBBER
- 2 TIN PLATE (MIL-T-10727)0.00381 [.000150] MIN THK.
- 3 TIN PLATE(MIL-T-10727)0.00254 [.000100] MIN THK.
- 4 GOLD PL(MIL-G-45204)0.00076 [.000030] MIN THK ON CONTACT AREA.
- 5 PACKAGED 50,000 PER REEL
- 6 TO INSURE 1/2 OZ MIN RETENTION DO NOT EXCEED 0.10 [.004] DIFFERENCE IN PIN DIA WHEN CHANGING TO A SMALLER DIA PIN
- 7 PRODUCT IS OVALIZED FOR RETENTION IN THE P.C. BOARD. THE RECOMMENDED HOLE DIAMETER IS Ø1.57 [Ø.062] MINIMUM, +0.08 [.003] MAX. PRIOR TO SOLDERING.
- 8 PACKAGED 10,000 PER REEL
- 9 TIN PER ASTM B 545, 0.00254 [.000100] MIN THK.

3.76-6.60 [.148-.260]	Ø0.71-Ø0.84 [Ø.028-Ø.033]	TIN 9	TIN 9	8 6-645986-1
3.76-6.60 [.148-.260]	Ø0.71-Ø0.84 [Ø.028-Ø.033]	GOLD 4	TIN 2	8 1-645986-2
3.76-6.60 [.148-.260]	Ø0.71-Ø0.84 [Ø.028-Ø.033]	TIN 3	TIN 2	8 1-645986-1
3.76-6.60 [.148-.260]	Ø0.71-Ø0.84 [Ø.028-Ø.033]	GOLD 4	TIN 2	5 645986-2
3.76-6.60 [.148-.260]	Ø0.71-Ø0.84 [Ø.028-Ø.033]	TIN 3	TIN 2	5 645986-1
LENGTH	DIA 6	EYELET	SPRING	PART NO.
PIN		FINISH		

THIS DRAWING IS A CONTROLLED DOCUMENT.		DWN 1-24-85 D.HOLLINGSWORTH	TE Connectivity	
		CHK 3-4-85 P.MUTZABAUGH		
DIMENSIONS: INCHES		APVD -		NAME MINIATURE SPRING SOCKET ASSY SERIES 3 WITH SEALANT
TOLERANCES UNLESS OTHERWISE SPECIFIED: 0 PLC ± - 1 PLC ± - 2 PLC ± - 3 PLC ± 0.20[.008] 4 PLC ± - ANGLES ± -		PRODUCT SPEC -		
MATERIAL		WEIGHT 0.000000		SIZE A2
FINISH SEE TABLE		CUSTOMER DRAWING		CAGE CODE 00779
		SCALE 10:1		DRAWING NO C-645986
		SHEET 1 OF 1		RESTRICTED TO -
		REV E2		