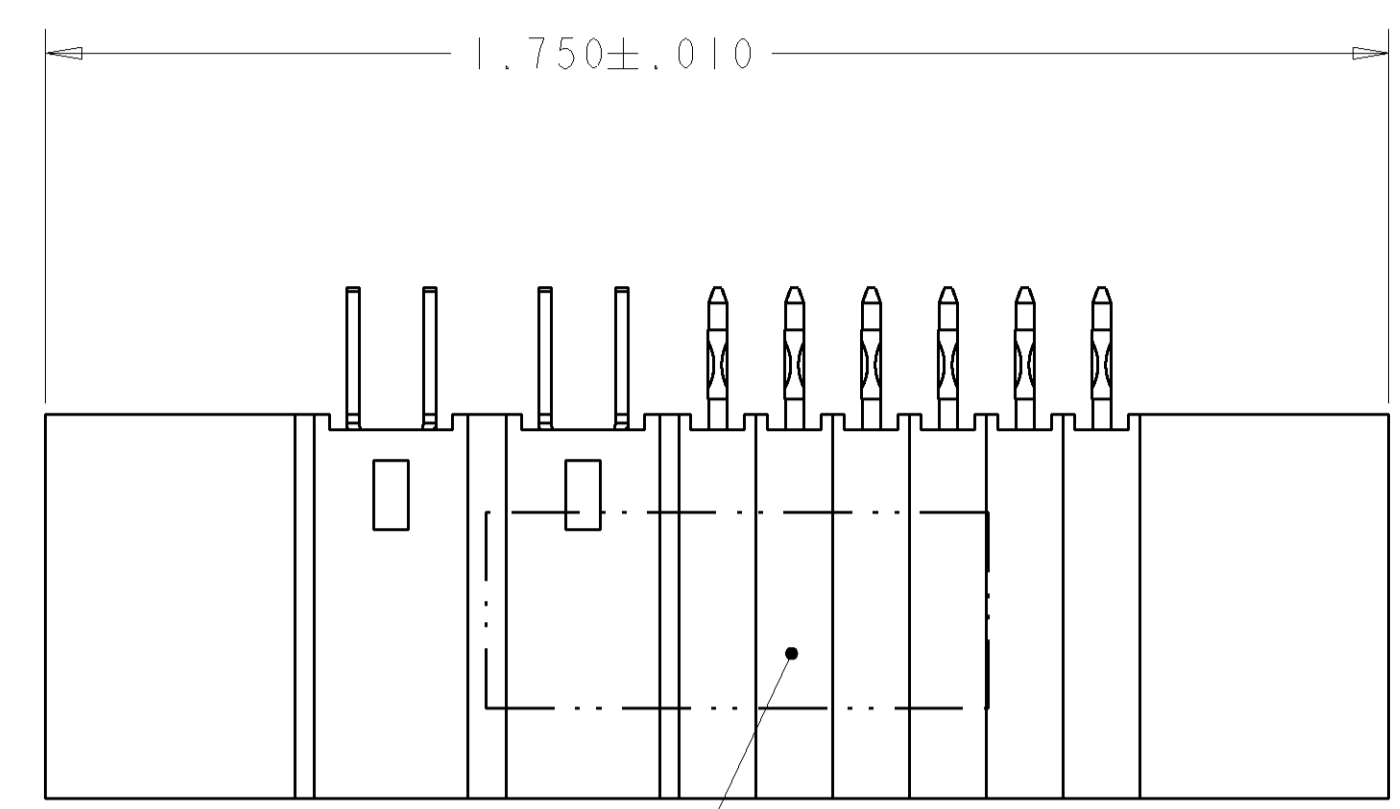
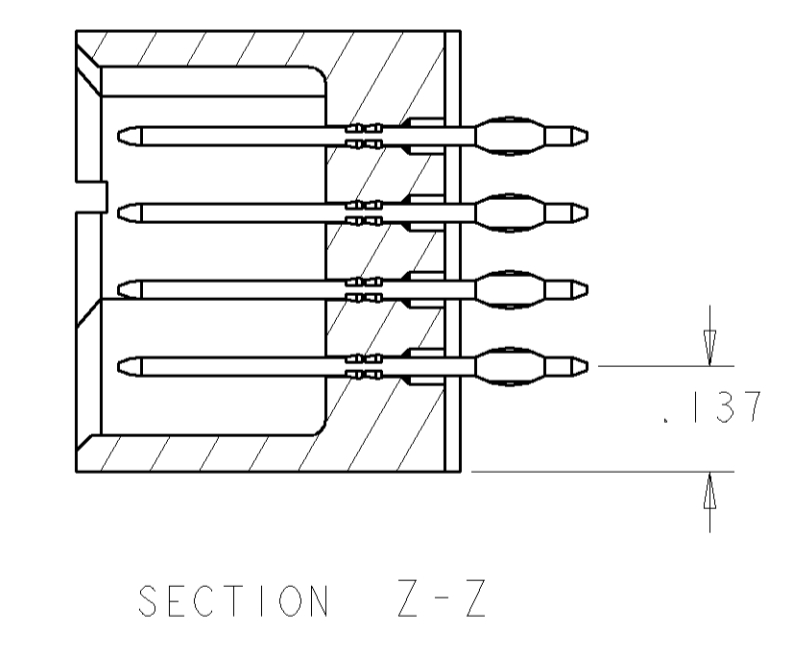
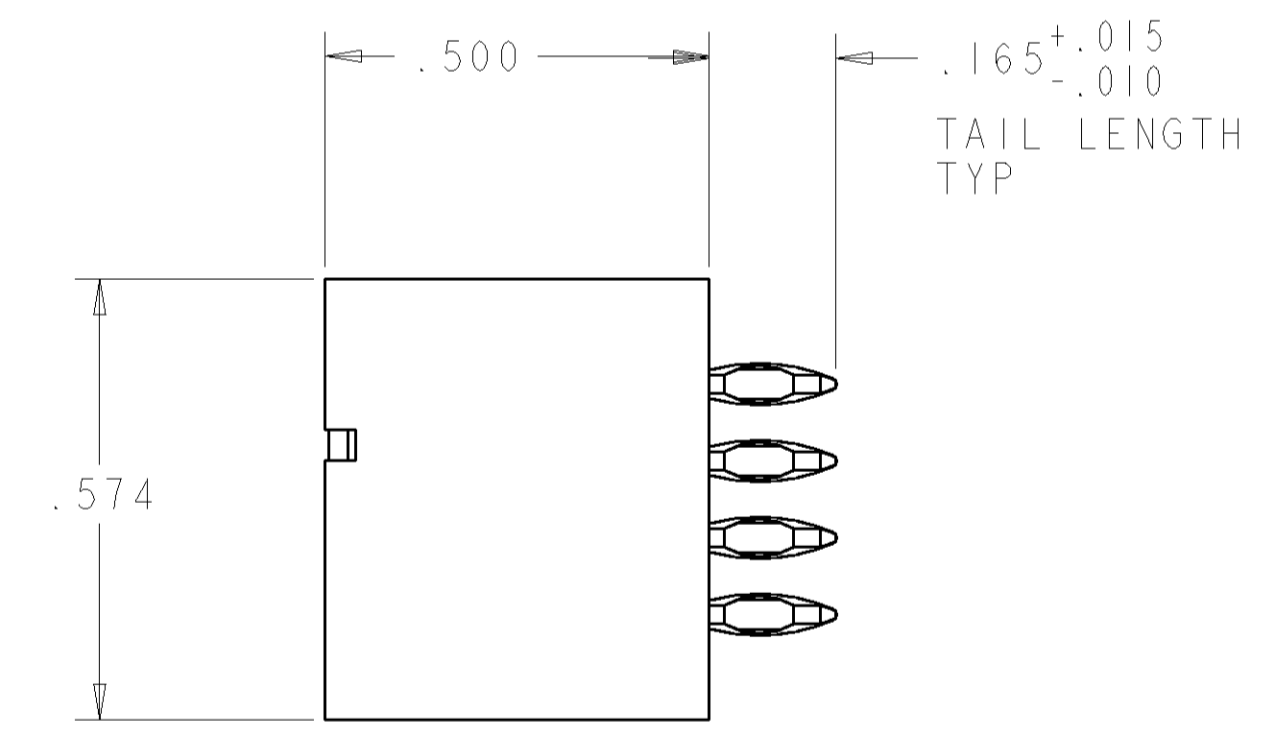
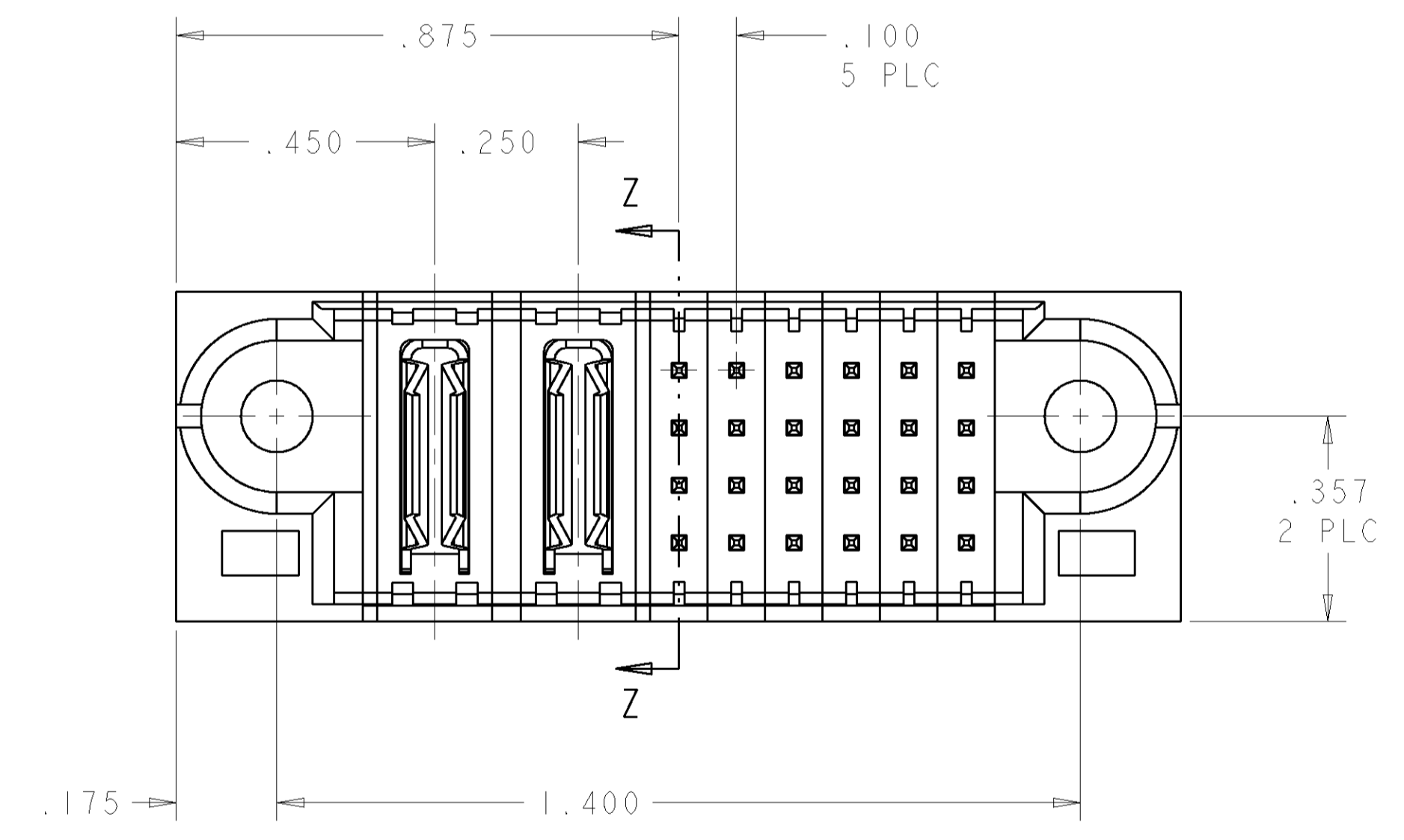


LOC	DIST	REVISIONS					
		P	LTR	DESCRIPTION	DATE	DWN	APVD
GP	00	A		REV PER 0512-0650-04	18JAN2005	RG	MP



- ① "AMP" PART NUMBER AND DATE CODE TO BE MARKED IN AREA SHOWN. PARTS UNDER 2.00 LONG MAY BE MARKED ON BOTH SIDES.
- ② MATERIAL: HOUSING - GLASS FILLED HIGH TEMP THERMO PLASTIC, UL 94 V-0
 SIGNAL CONTACT: COPPER ALLOY
 POWER CONTACT - HIGH CONDUCTIVITY COPPER ALLOY.
- ③ CONTACT PLATING: SIGNAL CONTACTS - .000050 MIN Ni UNDER ALL
 .000030 MIN Au ON CONTACT AREA
 POWER CONTACTS - .000050 MIN Ni UNDER ALL
 .000030 MIN Au ON CONTACT AREA
 .000078 MIN Sn AT PCB INTERFACE.
- ④ MECHANICAL CONNECTOR KEEP OUT ZONE.
- ⑤ DATUM AND BASIC DIMENSIONS ESTABLISHED BY CUSTOMER.
- ⑥ PCB - ALL HOLE DIAMETERS ARE FINISHED HOLE SIZES.
- ⑦ PCB - .0453 ± .0010 DRILLED HOLES PLATED WITH .0003 MIN Sn OVER .001 TO .003 Cu PLATING TO ACHIEVE A .040 DIA HOLE.
- 8. SEATING TOOL NO. 2-1658500-0 IS REQUIRED TO SEAT HEADER ON PC BOARD.

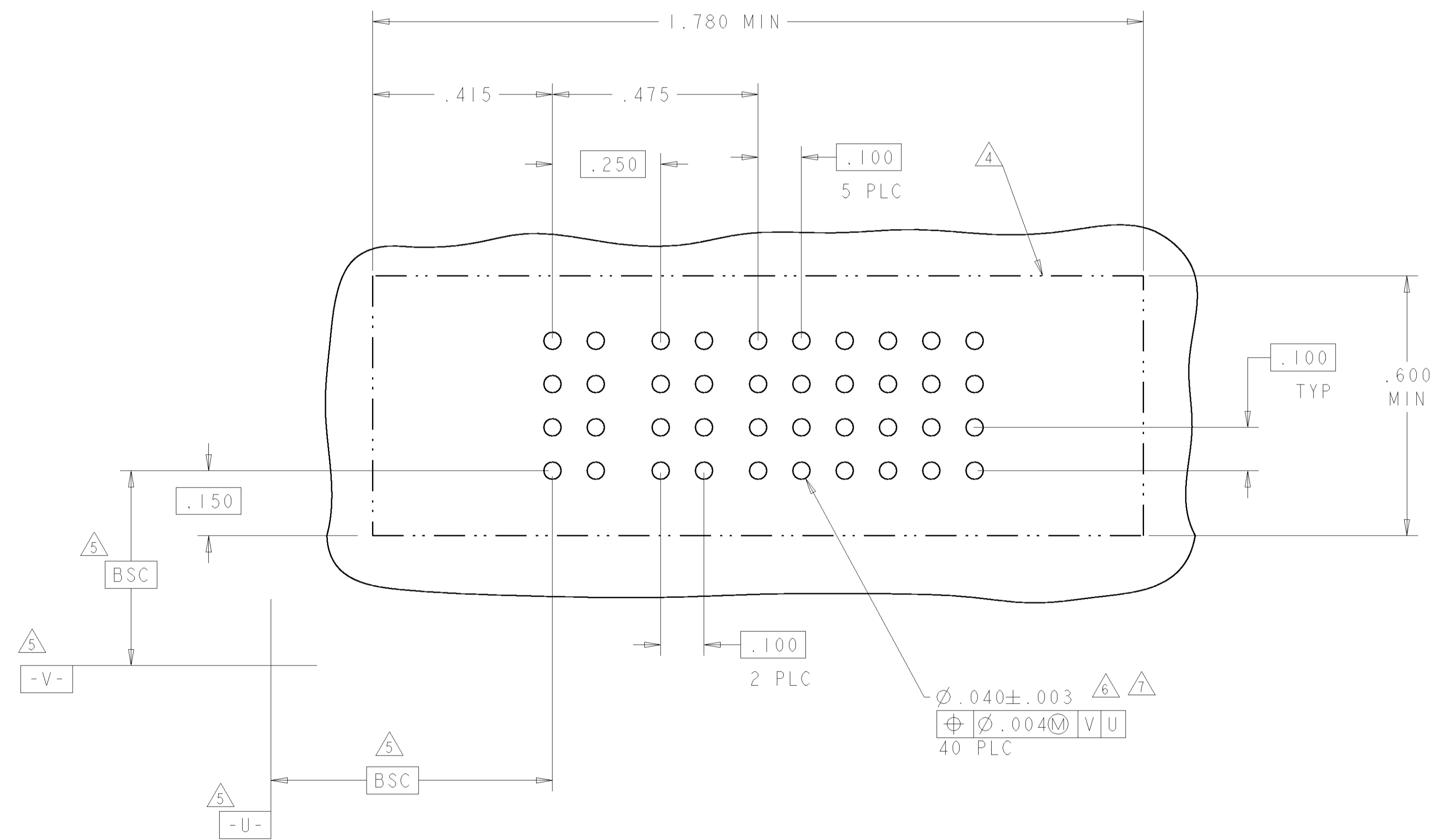


2P + 24S	6450502-4
DESCRIPTION	PART NUMBER

<small>THE DIMENSIONS TO WHICH THIS DRAWING IS SUBJECT TO THE DIMENSIONAL ORGANIZATION (TYP) IS THE DIMENSION TO WHICH THE DIMENSIONAL ORGANIZATION SHOULD BE CONTACTED FOR THE LATEST POSITION.</small>		DWN R. GRZYBOWSKI 18JAN05	tyco Electronics Tyco Electronics Harrisburg, PA 17105-3608
DIMENSIONS: INCHES:		CHK M. PERCHERKE 18JAN05	
TOLERANCES UNLESS OTHERWISE SPECIFIED: 0 PLC ±. 1 PLC ±.01 2 PLC ±.01 3 PLC ±.005 4 PLC ±.002 ANGLES ±.0020		APVD M. PERCHERKE	NAME VERTICAL HEADER ASSEMBLY W. GUIDES PRESS FIT, DUAL BEAM POWER CONTACT MULTI-BEAM XL
MATERIAL: ② FINISH: ③		PRODUCT SPEC 108-1973	SIZE A
		APPLICATION SPEC 114-13038	CAGE CODE 00779
		WEIGHT -	DRAWING NO 6450502-4
		CUSTOMER DRAWING	RESTRICTED TO -
		SCALE 4:1	SHEET 1 OF 2
			REV A

LOC	DIST	REVISIONS			
P	LTR	DESCRIPTION	DATE	DRN	APVD
-	-	SEE SHEET 1	-	-	-

PART NUMBER	ROWS	POWER		SIGNAL					
		P1	P2	1	2	3	4	5	6
6450502-4	D C B A	VH	VH	J	J	J	J	J	J
				J	QH	J	J	J	J
				J	J	J	J	J	J
				J	J	J	J	J	J
2P + 24S									



QH	SIGNAL CONTACT - MLBF
J	SIGNAL CONTACT - STD
VH	POWER CONTACT - STD
CODE	TAIL LENGTH
CONTACT TABLE	

<small>THE INFORMATION CONTAINED HEREIN IS UNCLASSIFIED EXCEPT WHERE SHOWN OTHERWISE. IT IS THE POLICY OF TYCO ELECTRONICS CORPORATION TO MAKE THIS INFORMATION AVAILABLE TO THE GENERAL PUBLIC.</small>		DRN: B. GRZYBOWSKI 18JAN05 CHK: M. PERCHERKE 18JAN05	tyco Electronics Tyco Electronics Harrisburg, PA 17105-3608
DIMENSIONS: INCHES 	TOLERANCES UNLESS OTHERWISE SPECIFIED: 0 PLC ± 1 PLC ±.01 2 PLC ±.01 3 PLC ±.005 4 PLC ±.0020 ANGLES ±.020	NAME: VERTICAL HEADER ASSEMBLY W/GUIDES PRODUCT SPEC: PRESS FIT, DUAL BEAM POWER CONTACT APPLICATION SPEC: MULTI-BEAM XL	SIZE: A1 CAGE CODE: 00779 DRAWING NO: 6450502-4 RESTRICTED TO: -
MATERIAL: -	FINISH: -	WEIGHT: -	SCALE: 4:1 SHEET 2 OF 2 REV A
CUSTOMER DRAWING			