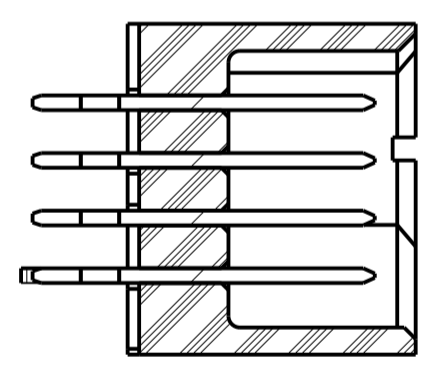
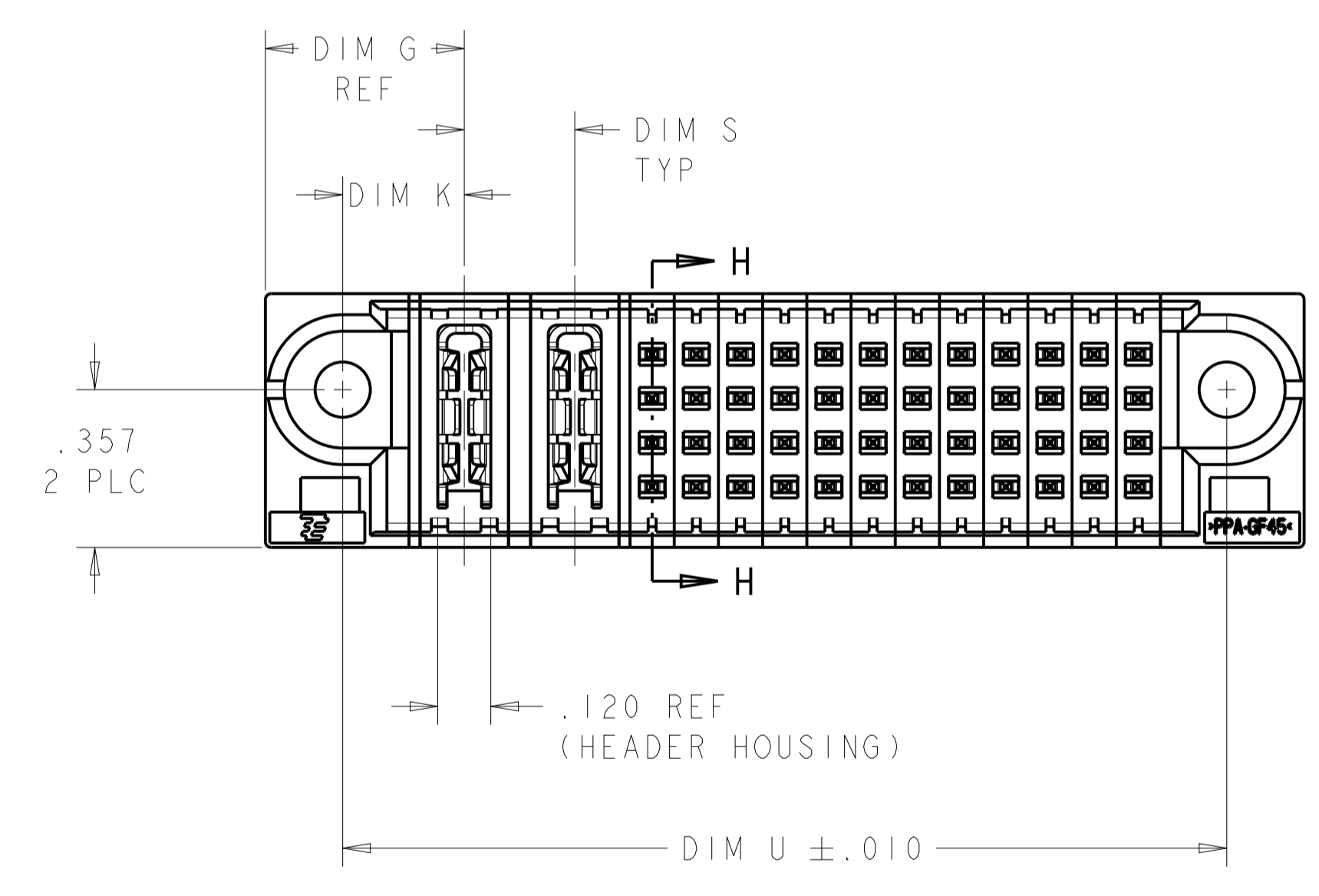
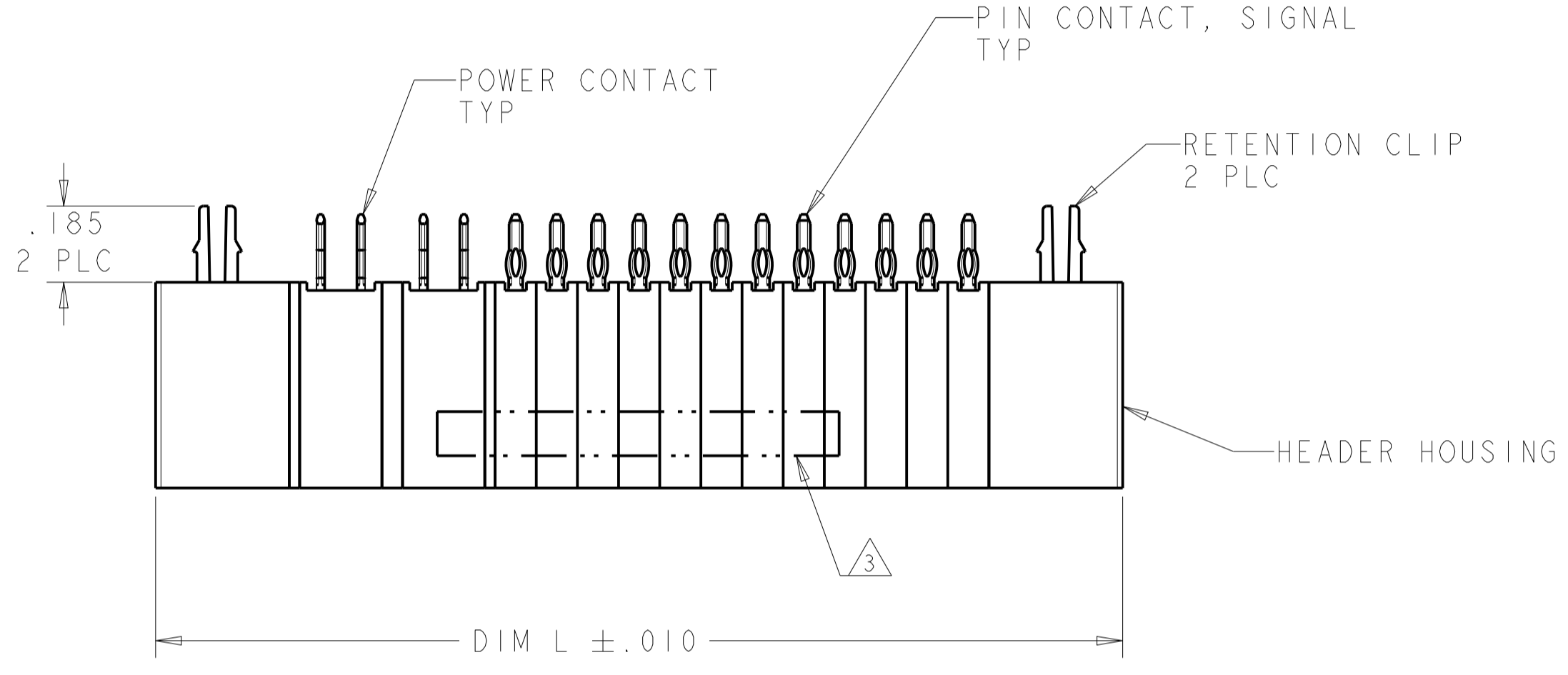
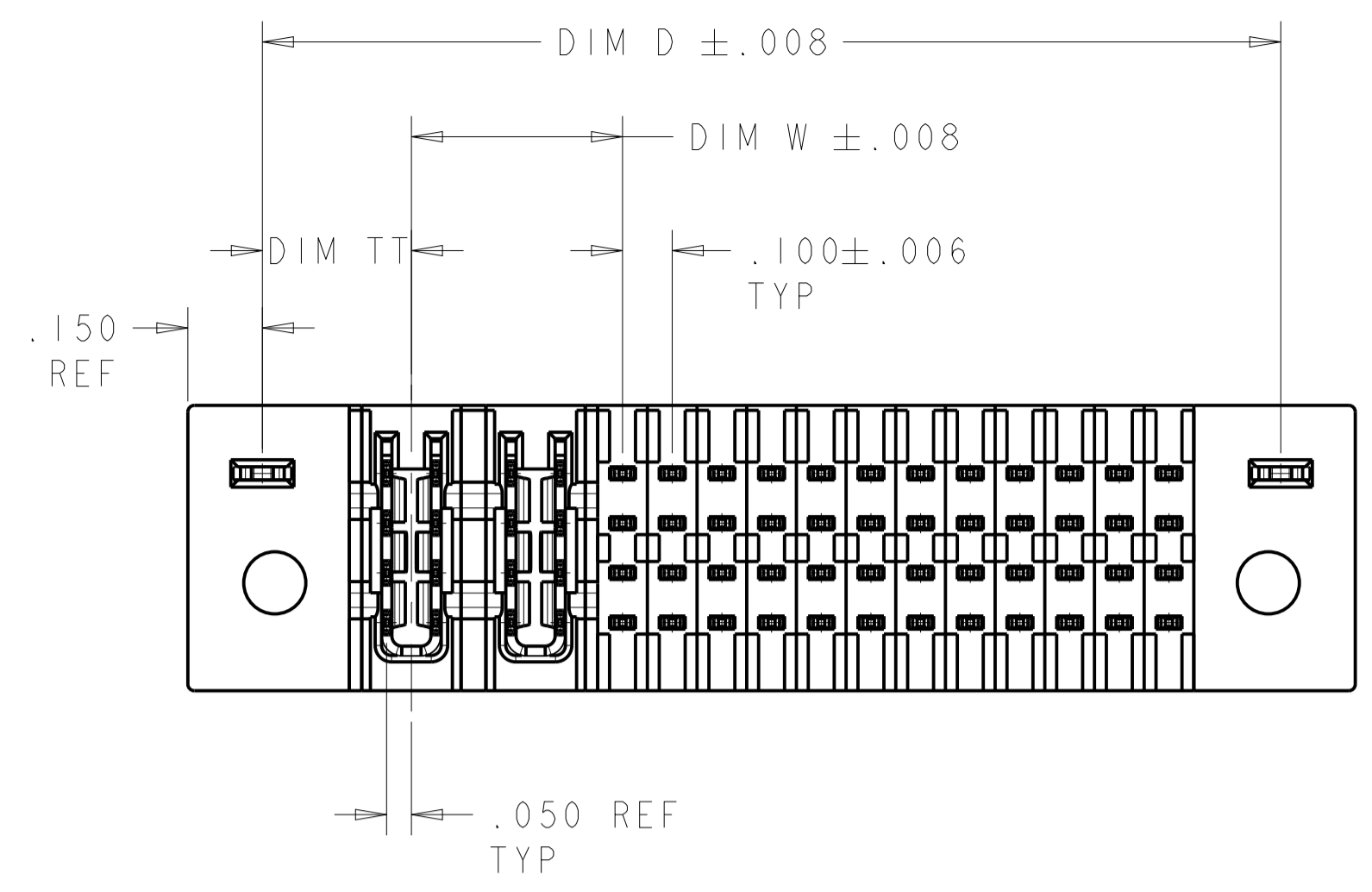
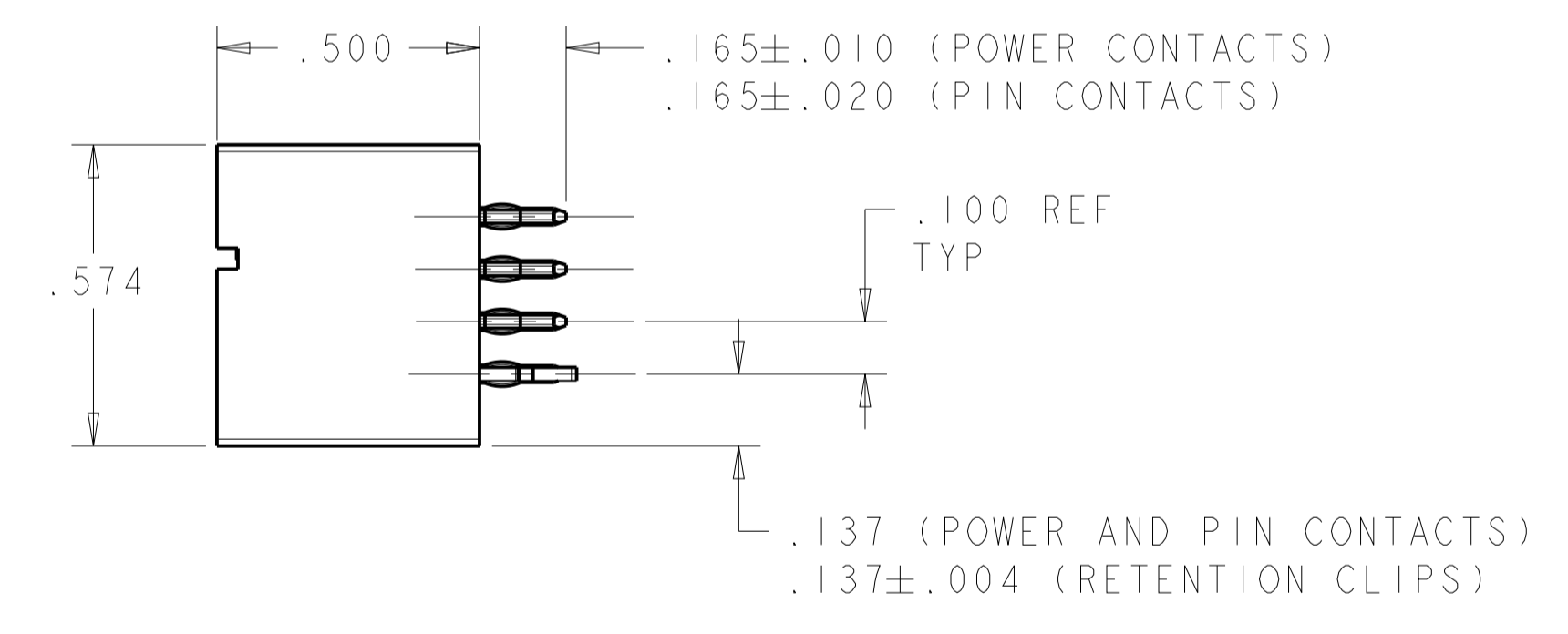


LOC	DIST	REVISIONS			
P	LTN	DESCRIPTION	DATE	DWN	APVD
A		RELEASED	22MAY2006	DRR	MP
A1		ADD DASH NUMBER -9	13SEP2011	LW	SZ



SECTION H-H



- 1. HEADER HOUSING: THERMO PLASTIC, BLACK, UL94 V-0; CONTACTS: COPPER ALLOY.
- 2. CONTACT PLATING: NOBLE METAL PLATING ON CONTACT FUNCTIONAL AREA OF POWER AND SIGNAL CONTACTS
RETENTION CLIP: .000115 MIN TIN.
- 3. "AMP", PART NUMBER AND DATE CODE MARKED IN THIS AREA. PARTS UNDER 2.50 LONG MAY BE MARKED ON BOTH SIDES.
- 4. DATUM AND BASIC DIMENSIONS ESTABLISHED BY CUSTOMER.
- 5. PCB - ALL HOLE DIAMETERS ARE FINISHED HOLE SIZES.
- 6. A SEATING TOOL IS REQUIRED TO SEAT THE HEADER ON THE P.C. BOARD. PLEASE REFER TO THE 114-13038 APPLICATION SPEC.
- 7. MECHANICAL CONNECTOR KEEP OUT ZONE.

DIM "TT"	DIM "W"	DIM "U"	DIM "S"	DIM "L"	DIM "K"	DIM "G"	DIM "D"	RETENTION CLIP	DESCRIPTION	PART NUMBER
.225	.375	1.050	.200	1.400	.275	.450	-	NO	2P + 12S	6450502-9
.300	.475	1.400	.250	1.750	.275	.450	1.450	YES	2P + 20S	6450502-8
.300	.225	1.050	-	1.400	.275	.450	1.100	YES	1P + 16S	6450502-6
-	.425	2.000	.250	2.350	.275	.450	-	NO	2P + 48S	6450502-5
-	.425	1.400	.250	1.750	.275	.450	-	NO	2P + 24S	6450502-4

THIS DRAWING IS A CONTROLLED DOCUMENT.

DIMENSIONS: INCH

TOLERANCES UNLESS OTHERWISE SPECIFIED:

0 PLC	±
1 PLC	±
2 PLC	±
3 PLC	±0.005
4 PLC	±
ANGLES	±

MATERIAL: FINISH:

THIS DRAWING IS A CONTROLLED DOCUMENT. DWN: D. RINGLER 23APR2006, CHK: M. PERCHERRE 23APR2006, APVD: M. PERCHERRE 23APR2006

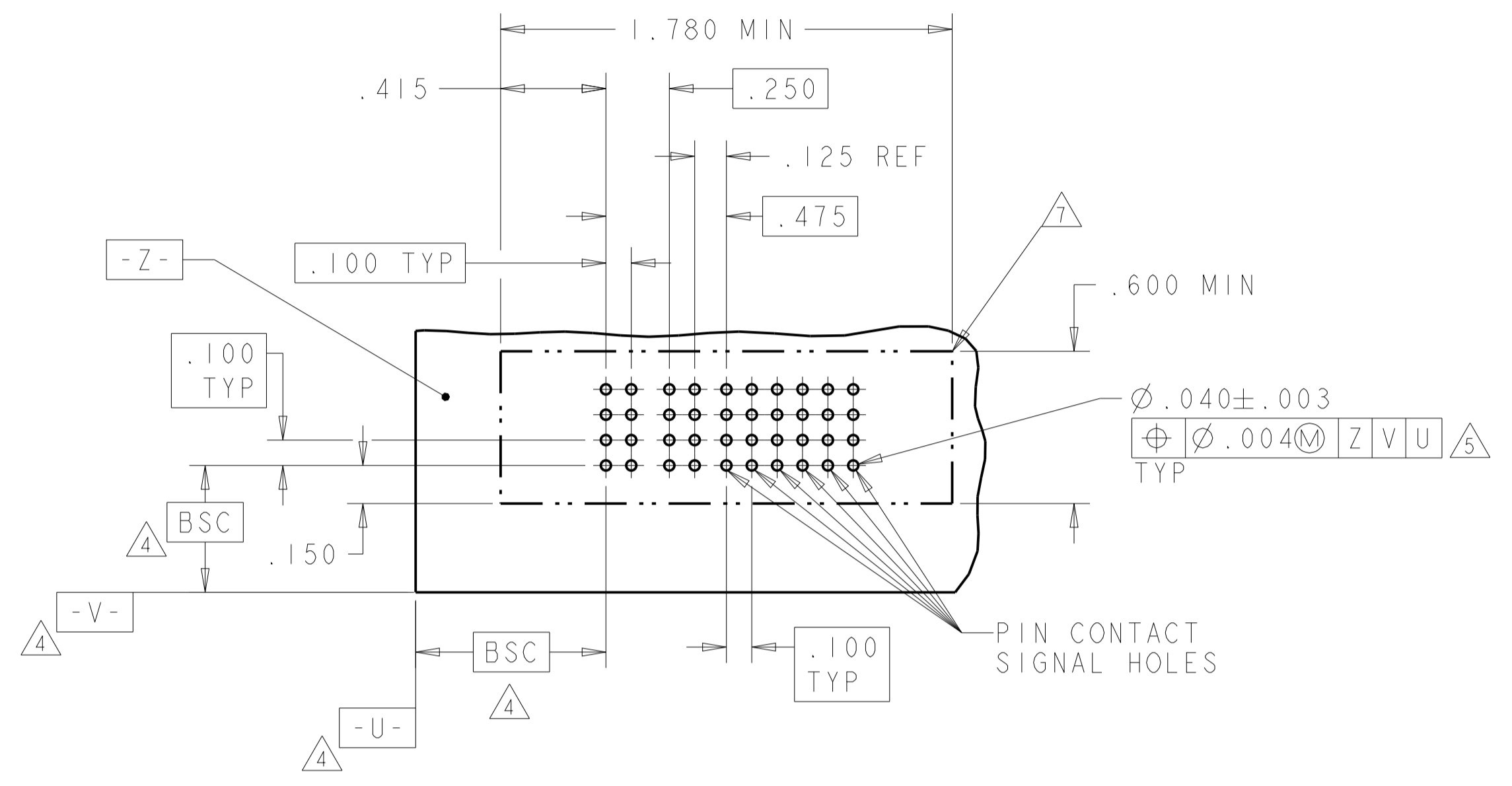
NAME: VERTICAL HEADER ASSEMBLY, W/GUIDES, PRESS FIT, TYPE PS, MULTI-BEAM XL

SIZE: A1, CAGE CODE: 114-13038, DRAWING NO: 108-1973, APPLICATION SPEC: 114-13038, WEIGHT: -

CUSTOMER DRAWING SCALE: 3:1 SHEET: 1 OF 3 REV: A1

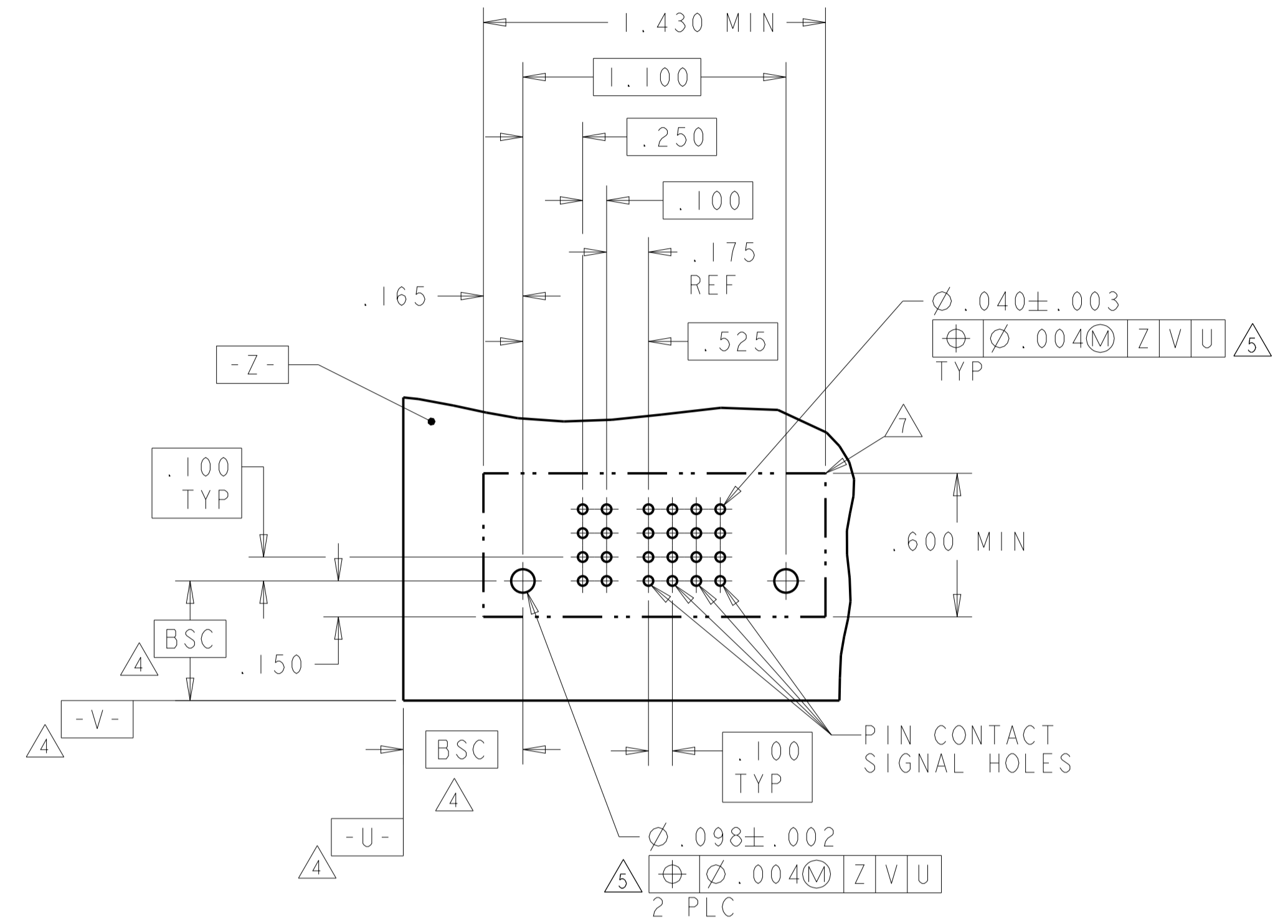
TE Connectivity

PART NUMBER	ROWS	POWER		SIGNAL						
		PI	P2	1	2	3	4	5	6	
6450502-4	D	VM	VM	EV	EV	EV	EV	EV	EV	
	C			EV	ES	EV	EV	EV	EV	
	B			EV	EV	EV	EV	EV	EV	
	A			EV	EV	EV	EV	EV	EV	
2P+24S										



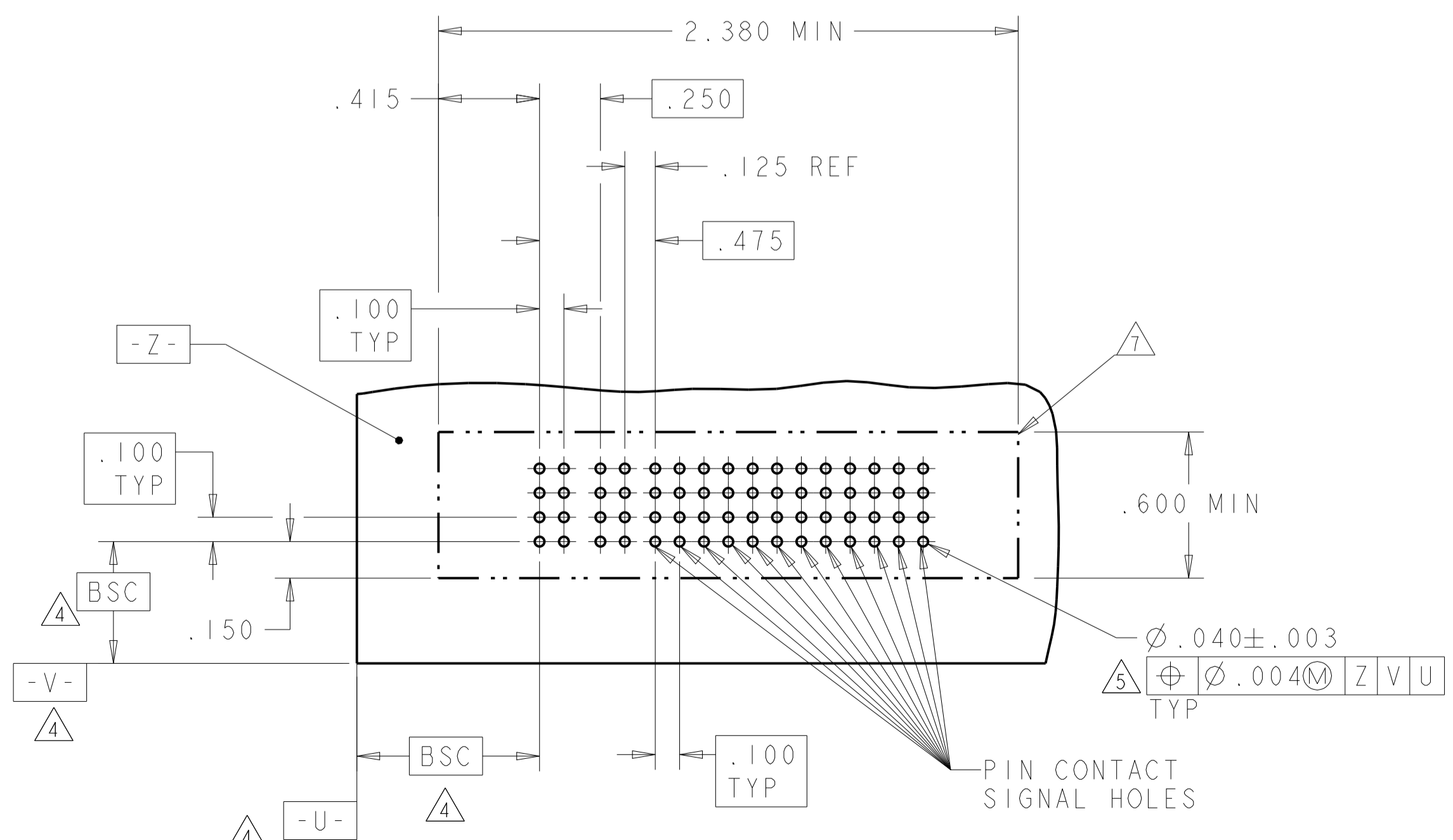
RECOMMENDED PCB LAYOUT 6450502-4
SCALE 2:1

PART NUMBER	ROWS	POWER		SIGNAL			
		PI	P2	1	2	3	4
6450502-6	D	VM	VM	EV	EV	EV	EV
	C			EV	EV	EV	EV
	B			EV	EV	EV	EV
	A			EV	EV	EV	EV
IP+16S		HD		HD			



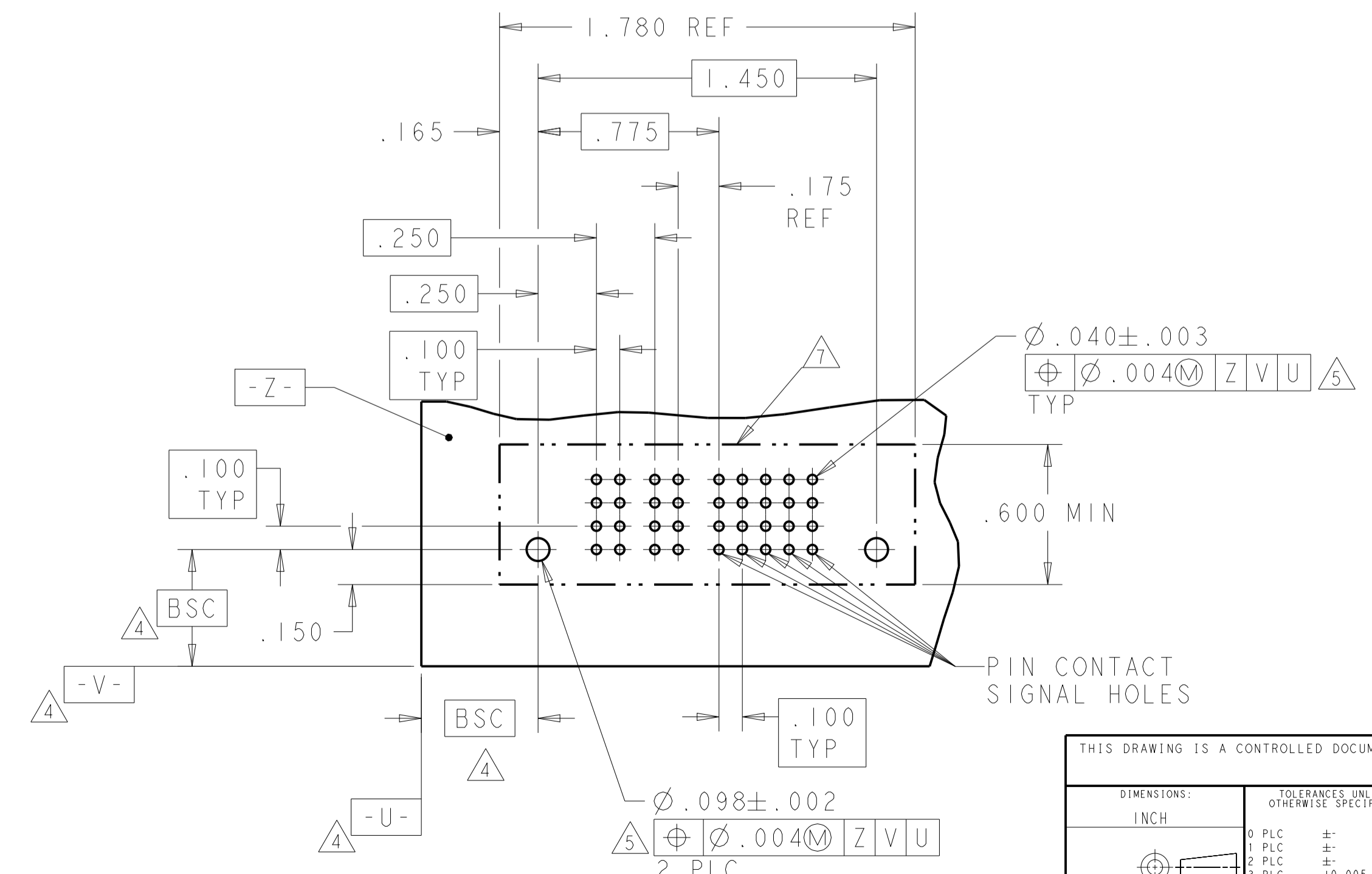
RECOMMENDED PCB LAYOUT 6450502-6
SCALE 2:1

PART NUMBER	ROWS	POWER		SIGNAL											
		PI	P2	1	2	3	4	5	6	7	8	9	10	11	12
6450502-5	D	VM	VM	EV	EV	EV	EV	EV	EV	EV	EV	EV	EV	EV	EV
	C			EV	EV	EV	EV	EV	EV	EV	EV	EV	EV	EV	
	B			EV	EV	EV	EV	EV	EV	EV	EV	EV	EV	EV	
	A			EV	EV	EV	EV	EV	EV	EV	EV	EV	EV	EV	
2P+48S															



RECOMMENDED PCB LAYOUT 6450502-5
SCALE 2:1

PART NUMBER	ROWS	POWER		SIGNAL				
		PI	P2	1	2	3	4	5
6450502-8	D	VM	VM	EV	EV	EV	EV	EV
	C			EV	EV	EV	EV	
	B			EV	EV	EV	EV	
	A			EV	EV	EV	EV	
2P+20S		HD		HD				



RECOMMENDED PCB LAYOUT 6450502-8
SCALE 2:1

LOC	DIST	REVISONS			
GP	00	REV	DATE	BY	APPV

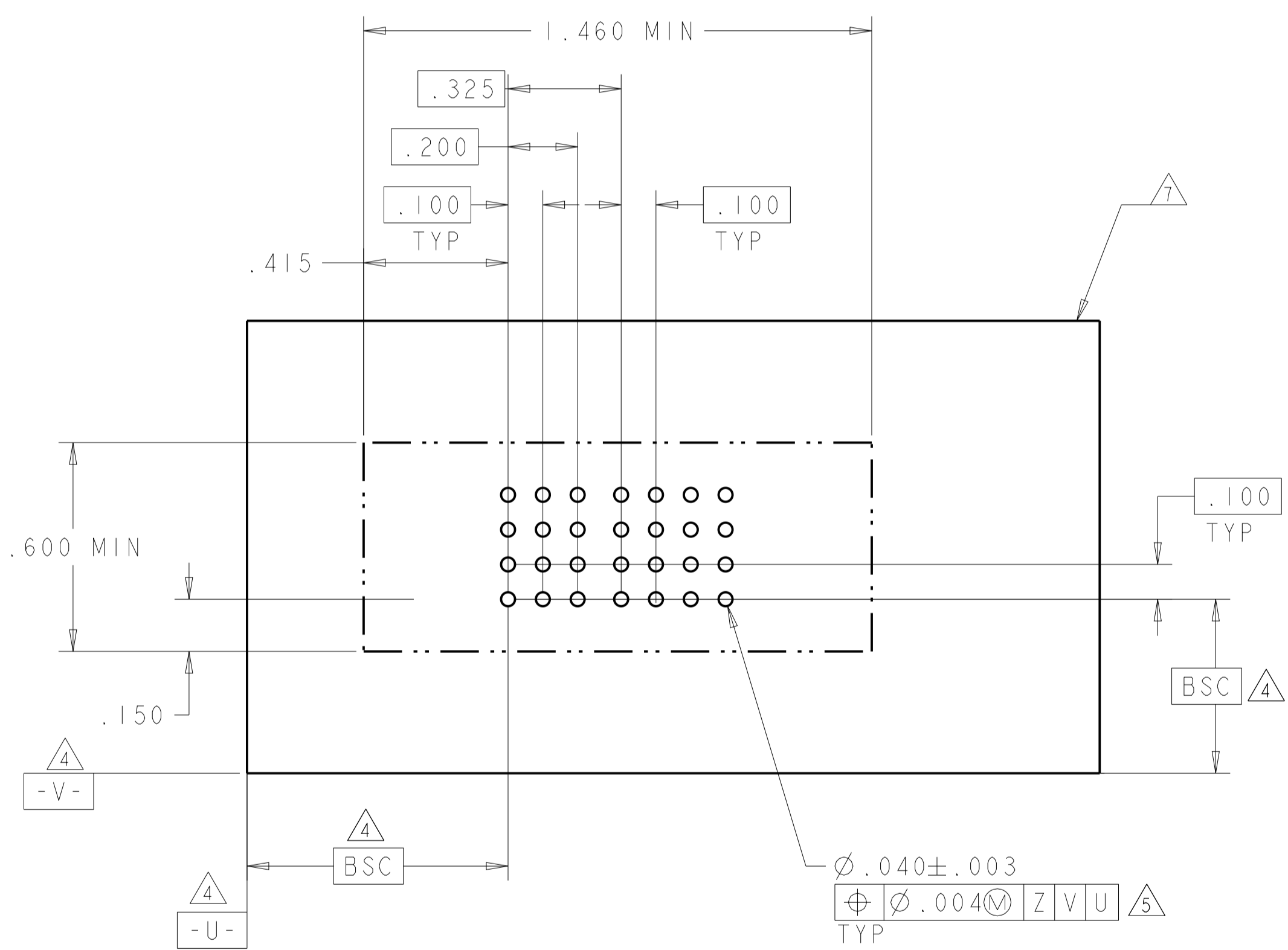
MATING SEQUENCE	DESCRIPTION	IDENTIFIER
-	RETENTION CLIP	HD
MLBF	SIGNAL CONTACT	ES
STANDARD	SIGNAL CONTACT	EV
-	POWER CONTACT	VM

THIS DRAWING IS A CONTROLLED DOCUMENT.

DIMENSIONS:	TOLERANCES UNLESS OTHERWISE SPECIFIED:	OWN: D. RINGLER 23APR2006	NAME: VERTICAL HEADER ASSEMBLY, W/GUIDES, PRESS FIT, TYPE PS, MULTI-BEAM XL
INCH	0 PLC ±	CHK: M. PERCHERRE 23APR2006	SIZE: CAGE CODE DRAWING NO. RESTRICTED TO
	1 PLC ±	APPV: M. PERCHERRE 23APR2006	A100779 ©=6450502
	2 PLC ±	PRODUCT SPEC: 108-1973	SCALE: 3:1 SHEET 2 OF 3 REV: A1
	3 PLC ±	APPLICATION SPEC: 114-13038	
	4 PLC ±	WEIGHT: -	
	ANGLES ±	CUSTOMER DRAWING	

ASSY PART NUMBER	ROWS	SIGNAL			POWER	
		3	2	1	P2	P1
6450502-9	4	EV	EV	EV	VM	VM
	3	EV	EV	EV		
	2	EV	EV	EV		
	1	EV	EV	EV		
2P + 12S						

(A1)



(A1)

RECOMMENDED PCB LAYOUT 6450502-9

THIS DRAWING IS A CONTROLLED DOCUMENT.		DWN D. RINGLER 23APR2006	TE Connectivity
DIMENSIONS: INCH		CHK M. PERCHERRE 23APR2006	
		APVD M. PERCHERRE 23APR2006	NAME VERTICAL HEADER ASSEMBLY, W/GUIDES, PRESS FIT, TYPE PS, MULTI-BEAM XL
TOLERANCES UNLESS OTHERWISE SPECIFIED:		PRODUCT SPEC	SIZE A100779C=6450502
0 PLC ±	1 PLC ±	108-1973	RESTRICTED TO
2 PLC ±	3 PLC ±	APPLICATION SPEC	
4 PLC ±0.005	ANGLES ±	114-13038	SCALE 3:1 SHEET 3 OF 3 REV A1
MATERIAL	FINISH	WEIGHT	CUSTOMER DRAWING