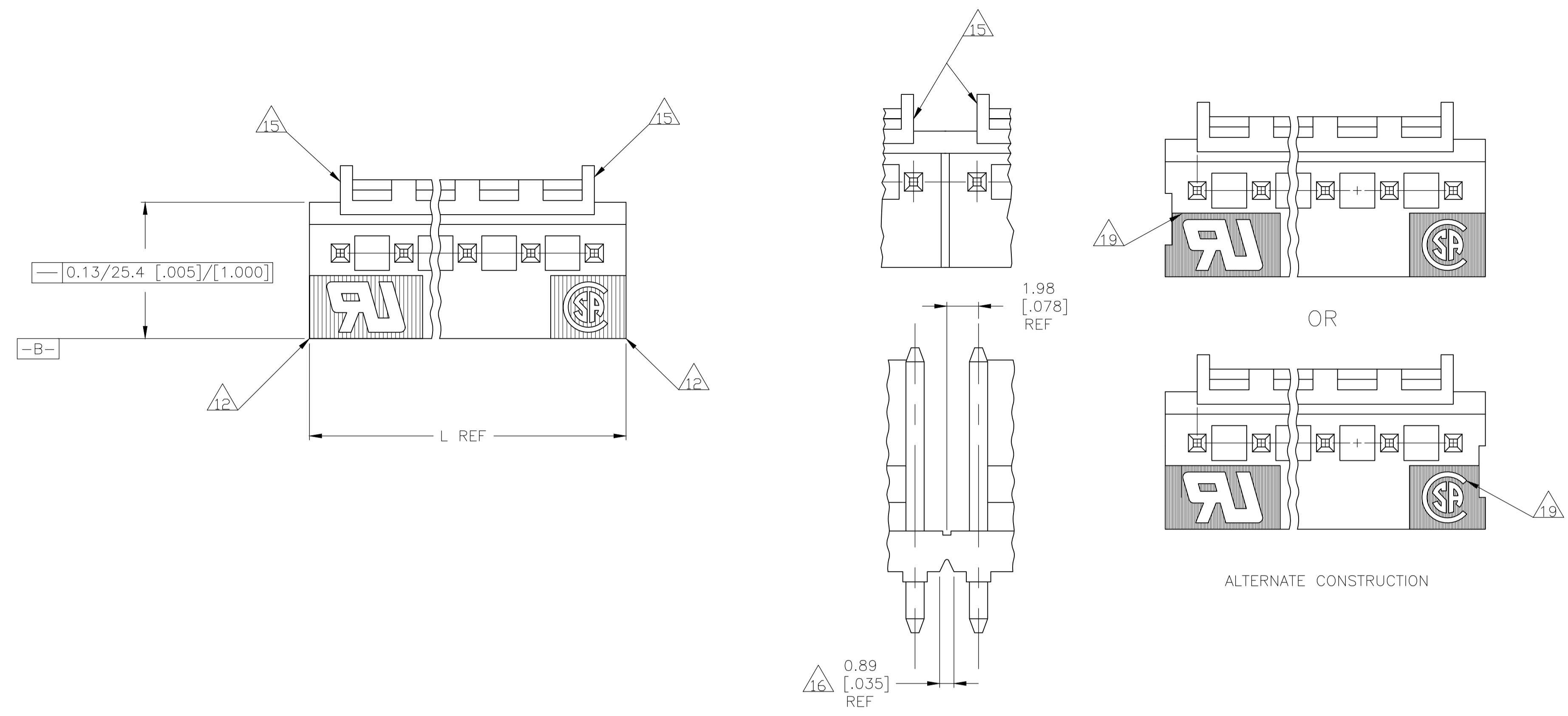
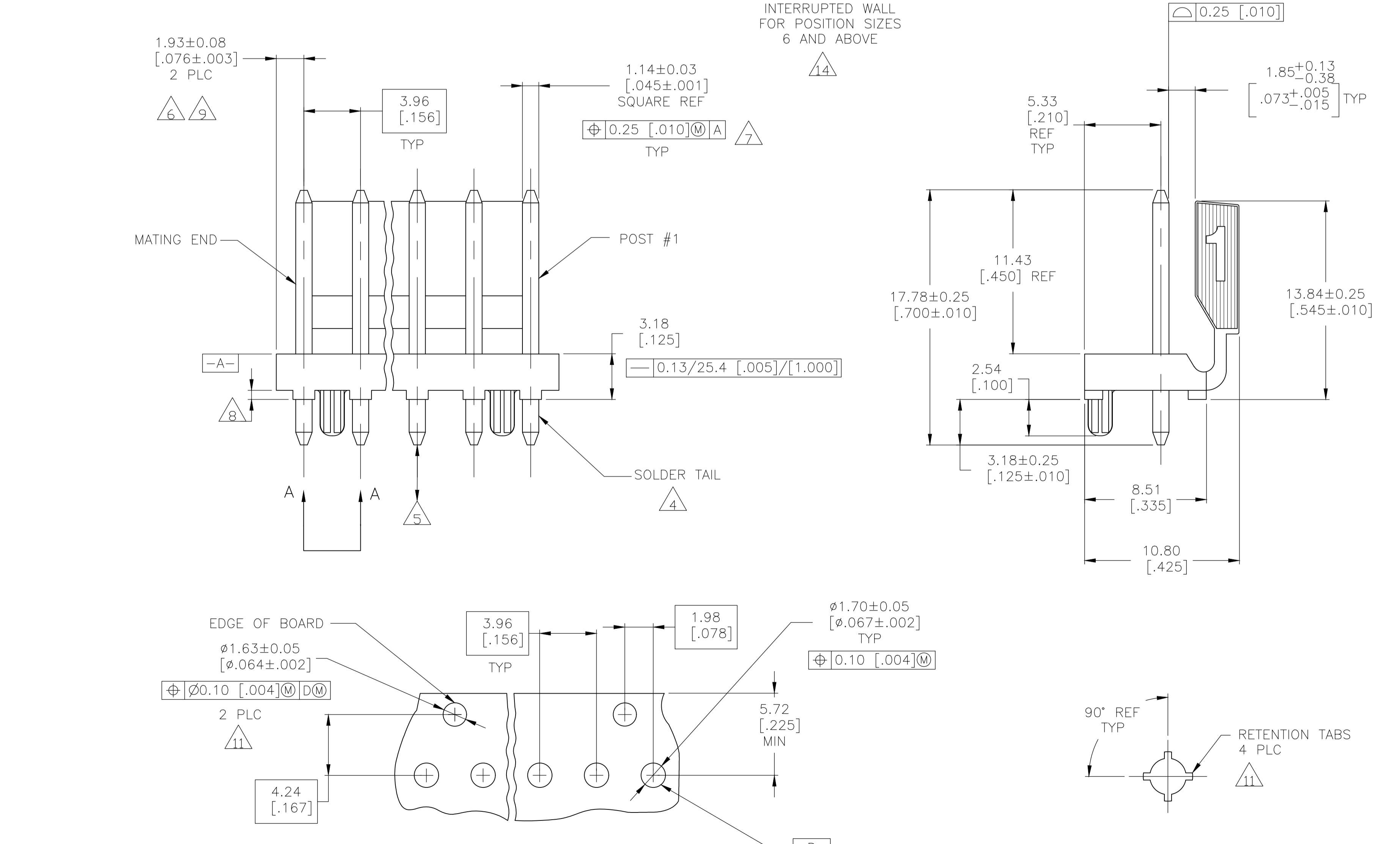


REVISIONS				
P	LTR	DESCRIPTION	DATE	BY
L2		REVISED PER ECR-20-100230	31JUL2020	BDA



- 1 MATERIAL
HOUSING: THERMOPLASTIC POLYESTER, GLASS FILLED, UL94V-0.
POST: COPPER ALLOY
- 2 FINISH
HOUSING: NATURAL
POST: BRIGHT TIN-LEAD (93/7) PLATE, 0.0038[.000150]-0.0088[.000350] THICK OVER NICKEL UNDERPLATE, 0.0013[.000050] MIN THICK.
- 4 POST SOLDER DETAILS COMPLY WITH AMP SOLDERABILITY SPEC 109-11-2.
- 5 POST WITHSTANDS 13.34N (3 LB) MIN AXIAL FORCE IN EITHER DIRECTION WITHOUT DISLODGING.
- 6 APPLIES AT -A-.
- 7 APPLIES WHEN THE HEADER IS STRAIGHT.
- 8 PLASTIC PROJECTIONS PERMITTED IN THIS ZONE.
- 9 COORDINATE DIMENSIONS APPLIES FROM THE CENTER OF THE ACTUAL FEATURE.
- 10 SOLDER SIDE OF BOARD IS SHOWN.
- 11 THE RETENTION TABS PROVIDE A ONE-TIME INTERFERENCE FIT IN THE 1.63[.064] DIAMETER BOARD HOLE FOR HEADER ASSEMBLY RETENTION DURING SOLDERING. FOUR TABS PER PEG, TWO PEGS PER HEADER ASSEMBLY (ONE PEG ONLY FOR 2 POSITION SIZE).
- 12 UL MARKING MAY NOT APPEAR ON THE 2 OR 3 POSITION SIZES. CSA MARKING MAY NOT APPEAR ON THE 2 POSITION SIZE.
- 13 DIMENSIONS IN BRACKETS ARE IN INCHES.
- 14 ALL POSITION SIZES HAVE THE BACKWALL NOTCHED ON BOTH ENDS AS SHOWN. THE 2 THRU 5 POSITION SIZES HAVE SOLID BACKWALLS. POSITION SIZES 6 AND ABOVE HAVE AN INTERRUPTED BACKWALL AT VARIOUS LOCATIONS (SEE TABLE FOR INTERRUPTION(S) LOCATIONS).
- 15 EDGE OF POLARIZING LOCK WALL TO BE IN LINE WITH CENTERLINE OF ADJACENT POST WITHIN ±0.13 [0.005].
- 16 NOTCH SHOWN MAY OR MAY NOT APPEAR.
- 17 FINISH
HOUSING: NATURAL
POST: MATTE TIN PLATE, .000150" MIN THICK OVER NICKEL.



NOTES	FINISH	BACKWALL INTERRUPTION(S) BETWEEN POST	L	NO. OF CIRCUITS	PART NUMBER
18	1	4&5, 7&8, 11&12, 14&15	71.20 [2.803]	18	4-644615-8
18	1	4&5, 7&8, 10&11, 13&14	67.23 [2.647]	17	4-644615-7
18	1	4&5, 8&9, 12&13	63.27 [2.491]	16	4-644615-6
18	1	4&5, 8&9, 11&12	59.31 [2.335]	15	4-644615-5
18	1	4&5 7&8, 10&11	55.35 [2.179]	14	4-644615-4
18	1	4&5 7&8, 10&11	51.38 [2.023]	13	4-644615-3
18	1	4&5, 8&9	47.42 [1.867]	12	4-644615-2
18	1	4&5, 7&8	43.46 [1.711]	11	4-644615-1
18	1	3&4, 7&8	39.50 [1.555]	10	4-644615-0
18	1	3&4, 6&7	35.53 [1.399]	9	3-644615-9
18	1	4&5	31.57 [1.243]	8	3-644615-8
18	1	4&5	27.61 [1.087]	7	3-644615-7
18	1	3&4	23.65 [0.931]	6	3-644615-6
18	1	NONE	19.69 [0.775]	5	3-644615-5
18	1	NONE	15.72 [0.619]	4	3-644615-4
18	1	NONE	11.76 [0.463]	3	3-644615-3
18	1	NONE	7.80 [0.307]	2	3-644615-2
18	2	4&5, 7&8, 11&12, 14&15	71.20 [2.803]	18	1-644615-8
18	2	4&5, 7&8, 10&11, 13&14	67.23 [2.647]	17	1-644615-7
18	2	4&5, 8&9, 12&13	63.27 [2.491]	16	1-644615-6
18	2	4&5, 8&9, 11&12	59.31 [2.335]	15	1-644615-5
18	2	4&5 7&8, 10&11	55.35 [2.179]	14	1-644615-4
18	2	4&5 7&8, 10&11	51.38 [2.023]	13	1-644615-3
18	2	4&5, 8&9	47.42 [1.867]	12	1-644615-2
18	2	4&5, 7&8	43.46 [1.711]	11	1-644615-1
18	2	3&4, 7&8	39.50 [1.555]	10	1-644615-0
18	2	3&4, 6&7	35.53 [1.399]	9	644615-9
18	2	4&5	31.57 [1.243]	8	644615-8
18	2	4&5	27.61 [1.087]	7	644615-7
18	2	3&4	23.65 [0.931]	6	644615-6
18	2	NONE	19.69 [0.775]	5	644615-5
18	2	NONE	15.72 [0.619]	4	644615-4
18	2	NONE	11.76 [0.463]	3	644615-3
18	2	NONE	7.80 [0.307]	2	644615-2

THIS DRAWING IS A CONTROLLED DOCUMENT.

DIMENSIONS: mm [INCHES]	TOLERANCES UNLESS OTHERWISE SPECIFIED:	0 PLC ± -	1 PLC ± -	2 PLC ± -	3 PLC ± -	4 PLC ± -	ANGLES ± -
-------------------------	--	-----------	-----------	-----------	-----------	-----------	------------

MATERIAL 1 FINISH 2 17

APPROVED: S. CARPENTER 12AJUG2003
 CHECKED: D. BOSSI 12AJUG2003
 DRAWING NO: 00779
 CUSTOMER DRAWING

TE Connectivity
 MTA-156 HDR ASM, POLARIZED LOCK, STRT .045 SQ POT, SN OR SN-PB PLTD W/RTNIN PEGS
 SIZE: A1
 SCALE: 5:1
 SHEET: 1 of 1
 REV: L2