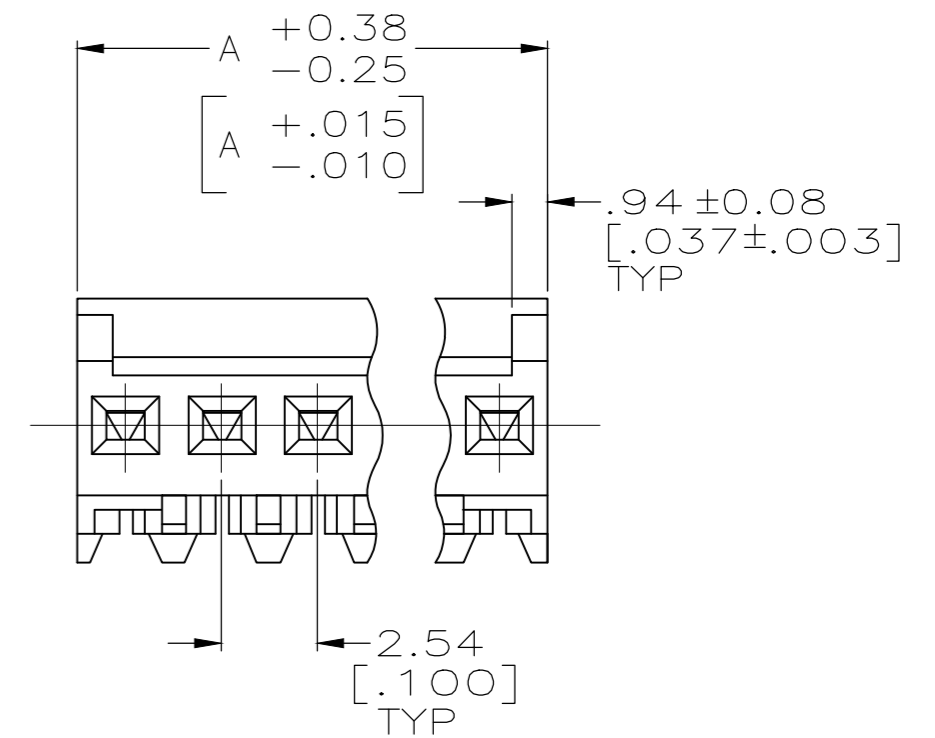
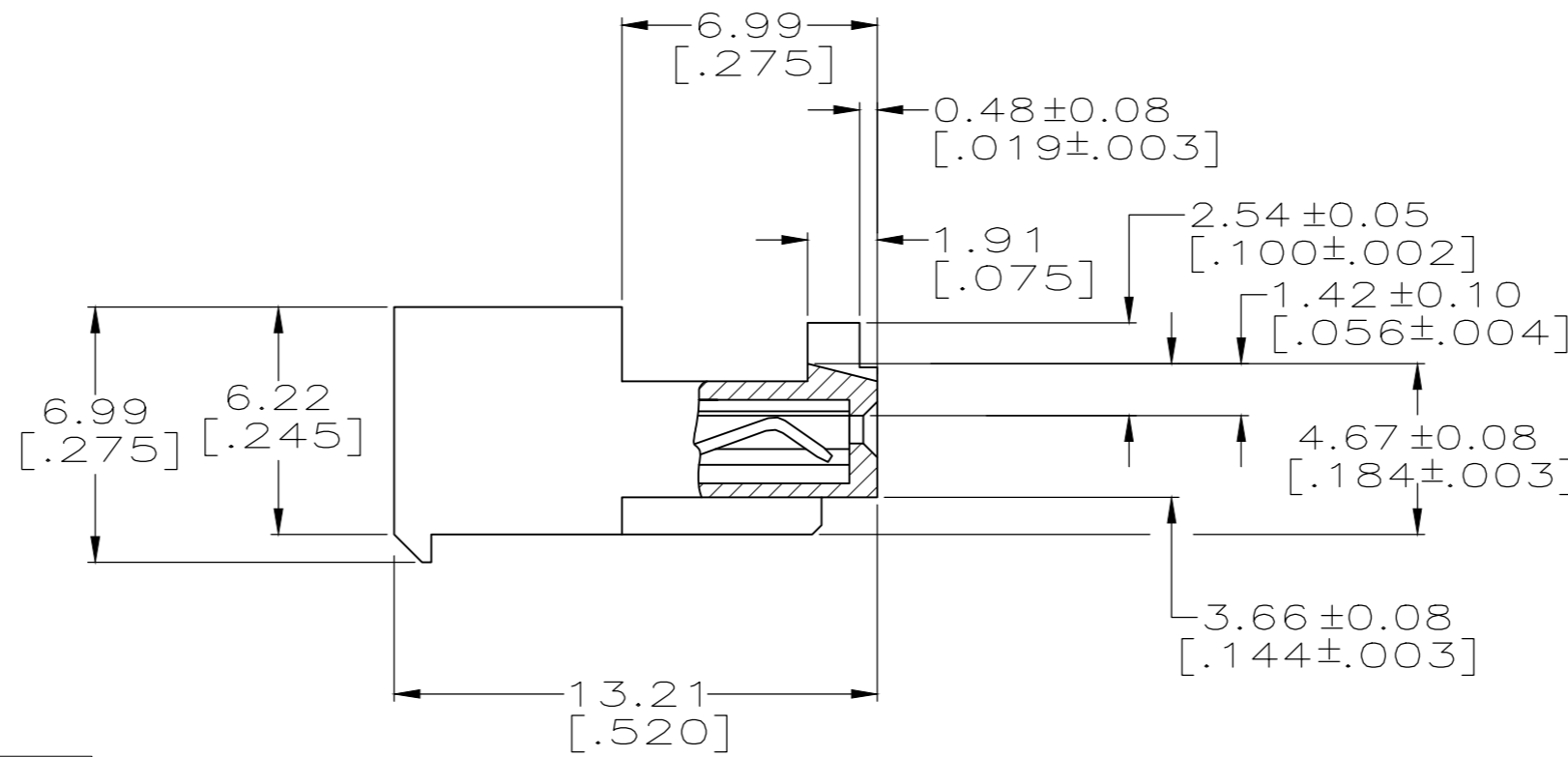
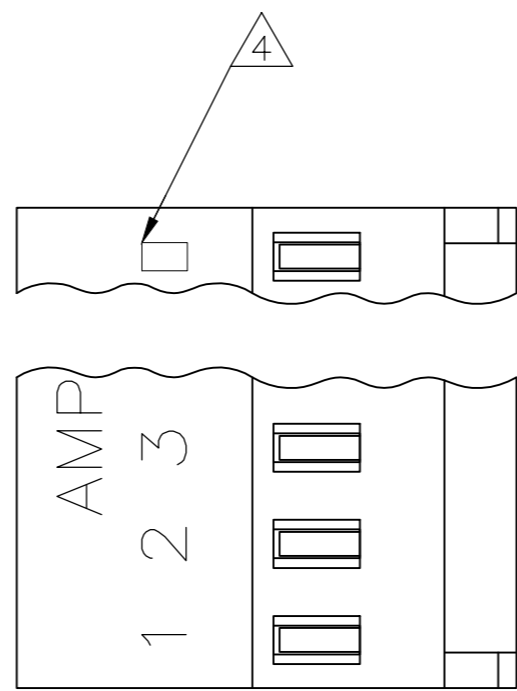


THIS DRAWING IS UNPUBLISHED. RELEASED FOR PUBLICATION  
 © COPYRIGHT - By - ALL RIGHTS RESERVED.

LOC		DIST		REVISIONS				
P	LTR	DESCRIPTION	DATE	DWN	APVD			
CM	00							
	K	REVISED PER ECR-20-000721	04MAR2020	PC	SW			

YES	71.12[2.800]	28	5-643814-8
YES	68.58[2.700]	27	5-643814-7
YES	66.04[2.600]	26	5-643814-6
YES	63.50[2.500]	25	5-643814-5
YES	60.96[2.400]	24	5-643814-4
YES	58.42[2.300]	23	5-643814-3
YES	55.88[2.200]	22	5-643814-2
YES	53.34[2.100]	21	5-643814-1
YES	50.80[2.000]	20	5-643814-0
YES	48.26[1.900]	19	4-643814-9
YES	45.72[1.800]	18	4-643814-8
YES	43.18[1.700]	17	4-643814-7
YES	40.64[1.600]	16	4-643814-6
YES	38.10[1.500]	15	4-643814-5
YES	35.56[1.400]	14	4-643814-4
YES	33.02[1.300]	13	4-643814-3
YES	30.48[1.200]	12	4-643814-2
YES	27.94[1.100]	11	4-643814-1
YES	25.40[1.000]	10	4-643814-0
YES	22.86[.900]	9	3-643814-9
YES	20.32[.800]	8	3-643814-8
YES	17.78[.700]	7	3-643814-7
YES	15.24[.600]	6	3-643814-6
YES	12.70[.500]	5	3-643814-5
YES	10.16[.400]	4	3-643814-4
YES	7.62[.300]	3	3-643814-3
YES	5.08[.200]	2	3-643814-2



NO	71.12[2.800]	28	2-643814-8	SUPERSEDED BY 5-643814-8	△
NO	68.58[2.700]	27	2-643814-7	SUPERSEDED BY 5-643814-7	△
NO	66.04[2.600]	26	2-643814-6	SUPERSEDED BY 5-643814-6	△
NO	63.50[2.500]	25	2-643814-5	SUPERSEDED BY 5-643814-5	△
NO	60.96[2.400]	24	2-643814-4	SUPERSEDED BY 5-643814-4	△
NO	58.42[2.300]	23	2-643814-3	SUPERSEDED BY 5-643814-3	△
NO	55.88[2.200]	22	2-643814-2	SUPERSEDED BY 5-643814-2	△
NO	53.34[2.100]	21	2-643814-1	SUPERSEDED BY 5-643814-1	△
NO	50.80[2.000]	20	2-643814-0	SUPERSEDED BY 5-643814-0	△
NO	48.26[1.900]	19	1-643814-9	SUPERSEDED BY 4-643814-9	△
NO	45.72[1.800]	18	1-643814-8	SUPERSEDED BY 4-643814-8	△
NO	43.18[1.700]	17	1-643814-7	SUPERSEDED BY 4-643814-7	△
NO	40.64[1.600]	16	1-643814-6	SUPERSEDED BY 4-643814-6	△
NO	38.10[1.500]	15	1-643814-5	SUPERSEDED BY 4-643814-5	△
NO	35.56[1.400]	14	1-643814-4	SUPERSEDED BY 4-643814-4	△
NO	33.02[1.300]	13	1-643814-3	SUPERSEDED BY 4-643814-3	△
NO	30.48[1.200]	12	1-643814-2	SUPERSEDED BY 4-643814-2	△
NO	27.94[1.100]	11	1-643814-1	SUPERSEDED BY 4-643814-1	△
NO	25.40[1.000]	10	1-643814-0	SUPERSEDED BY 4-643814-0	△
NO	22.86[.900]	9	-643814-9	SUPERSEDED BY 3-643814-9	△
NO	20.32[.800]	8	-643814-8	SUPERSEDED BY 3-643814-8	△
NO	17.78[.700]	7	-643814-7	SUPERSEDED BY 3-643814-7	△
NO	15.24[.600]	6	-643814-6	SUPERSEDED BY 3-643814-6	△
NO	12.70[.500]	5	-643814-5	SUPERSEDED BY 3-643814-5	△
NO	10.16[.400]	4	-643814-4	SUPERSEDED BY 3-643814-4	△
NO	7.62[.300]	3	-643814-3	SUPERSEDED BY 3-643814-3	△
NO	5.08[.200]	2	-643814-2	SUPERSEDED BY 3-643814-2	△

△ MATERIAL: CONNECTOR - NYLON UL94V-2 (WHITE).  
 CONTACTS - 0.30[.012] THICK COPPER ALLOY  
 BRIGHT TIN-LEAD .00203[.000080] MIN THICKNESS  
 FOR 643814-2 THRU 2-643814-8.  
 MATTE WHISKER MITIGATED TIN .00203[.000080] MIN THICKNESS  
 OVER NICKEL UNDERPLATE FOR 3-643814-2 THRU 5-643814-8.

- 2. CONTACTS ACCEPT 24 AWG WIRE WITH 1.52[.060] MAX INSULATION DIAMETER.
- 3. CONTACTS MUST ACCEPT 0.64±0.03[.025] POST AND REMAIN LOCKED IN POSITION.

△ IDENTIFICATION NUMBER FOR LAST CIRCUIT MAY NOT APPEAR ON ALL ASSEMBLIES.

5. DIMENSIONS IN BRACKETS ARE IN INCHES.

6. HOUSING FEATURES ARE: CLOSED END WITH LOCKING RAMP AND WITH POLARIZING TAB.

△ OBSOLETE PARTS: OBSOLETE CIS STREAMLINING PER D.RENAUD/D.SINISI

△ OBSOLETE PARTS

THIS DRAWING IS A CONTROLLED DOCUMENT.		DWN S. CARPENTER 11JUN2003		
DIMENSIONS: mm [INCHES]		CHK D. BOSSI 11JUN2003		
TOLERANCES UNLESS OTHERWISE SPECIFIED:		APVD D. BOSSI 11JUN2003	NAME	
0 PLC ±		PRODUCT SPEC		MTA-100 CONNECTOR ASSEMBLY, 24 AWG, STANDARD
1 PLC ±		APPLICATION SPEC		
2 PLC ±		108-1050		SIZE
3 PLC ± 0.13 [.005]		114-1019		CAGE CODE
4 PLC ±		WEIGHT		DRAWING NO
FINISH		A2 00779		RESTRICTED TO
MATERIAL		C=643814		SCALE
△		CUSTOMER DRAWING		5:1
		SHEET		1 OF 1
		REV		K