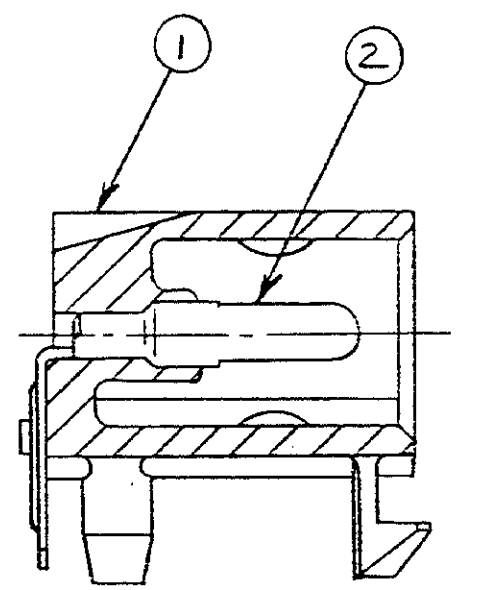
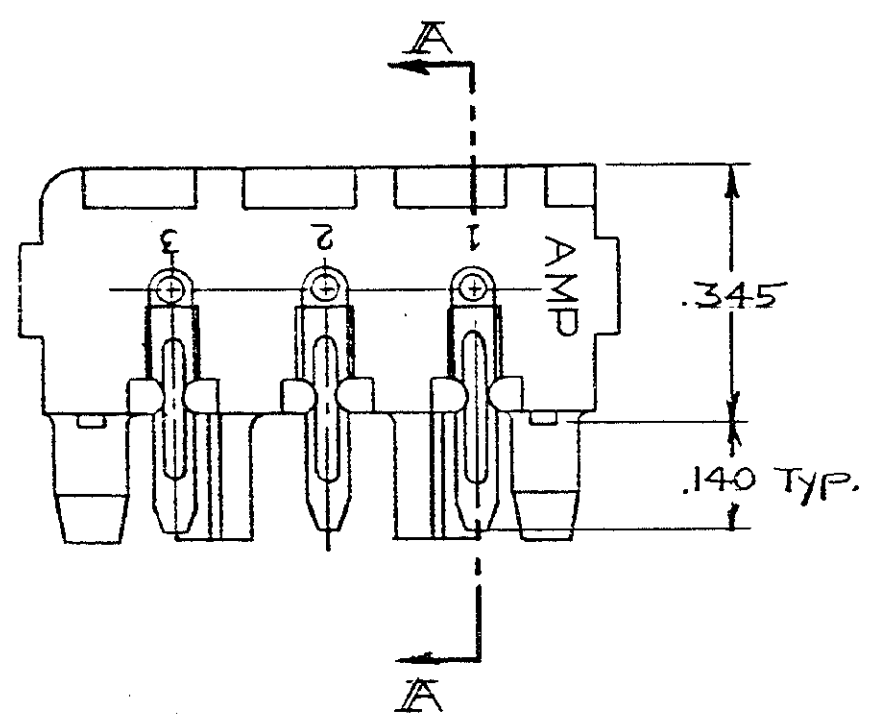
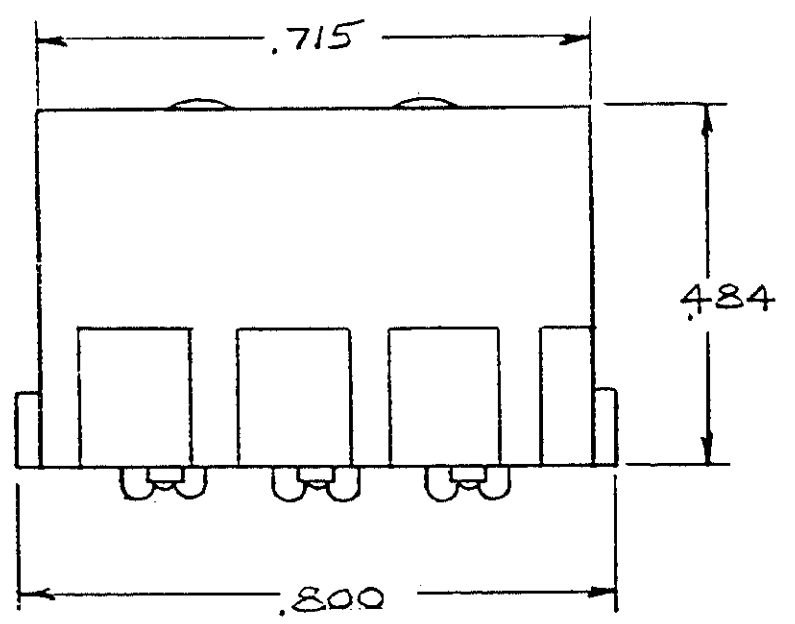


DRAWING MADE IN THIRD ANGLE PROJECTION

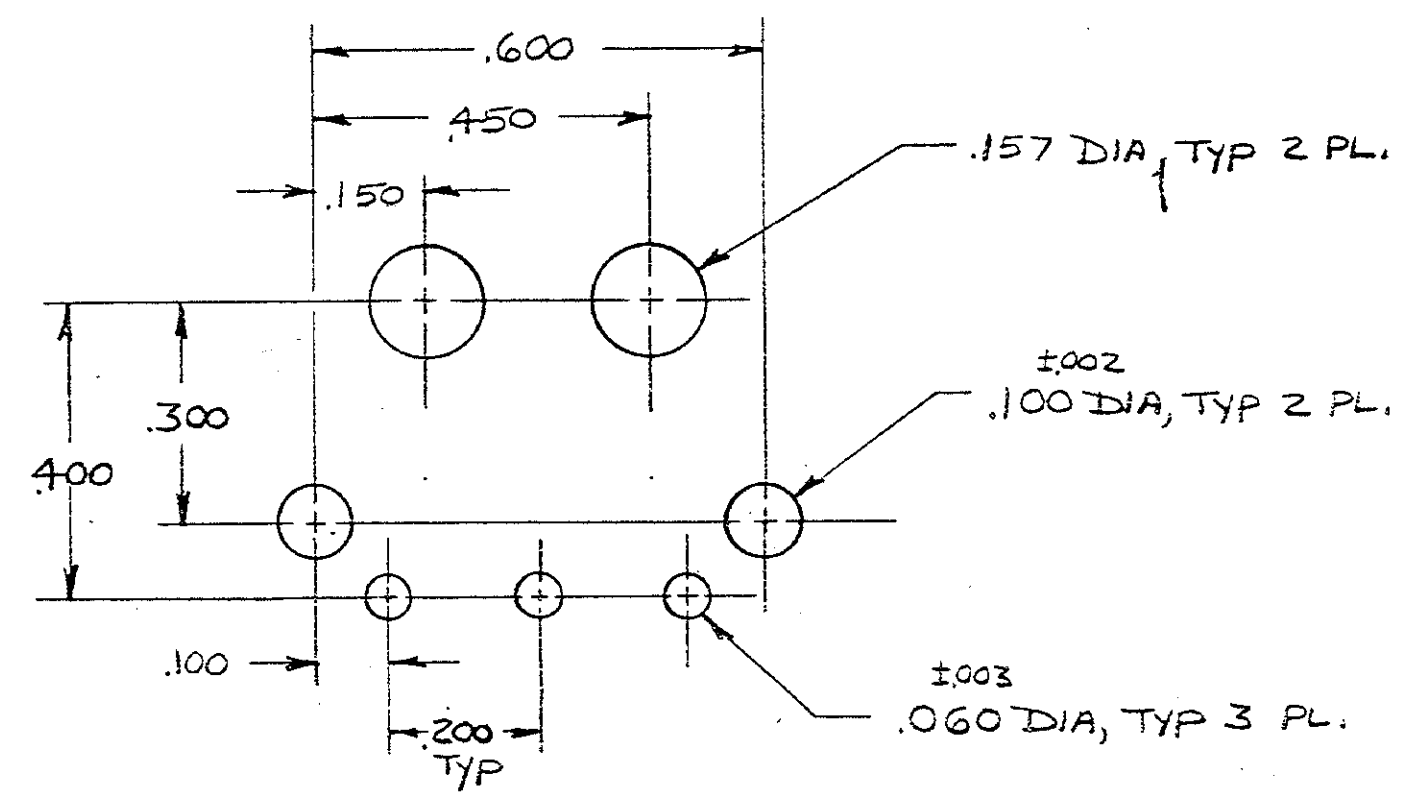
THIS DRAWING IS UNPUBLISHED. RELEASED FOR PUBLICATION 19
 © COPYRIGHT 19 BY AMP INCORPORATED, HARRISBURG, PA. ALL INTERNATIONAL RIGHTS RESERVED. AMP PRODUCTS MAY BE COVERED BY U.S. AND FOREIGN PATENTS AND/OR PATENTS PENDING.

REVISIONS					
P	F	ZONE	DESCRIPTION	DATE	APPROVED
✓		0	RELEASED NEW DRAWING, TT183-44	7/1/83	pas/d.H.
✓		A	CHANGED PICTORIALY, M-7389	6/14/83	TW/gm
✓		A1	RESTORED	7/18/85	BD/RS
		A2	REVISED PER ECR-21-117185	20OCT2021	PJ/VS

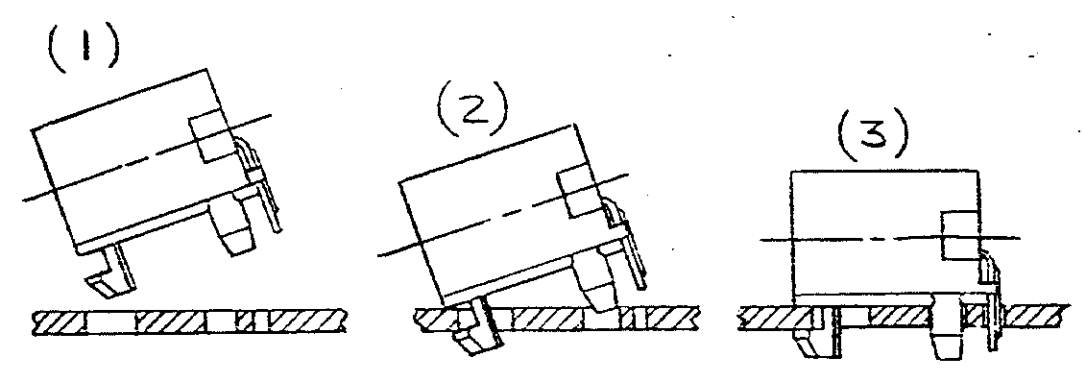
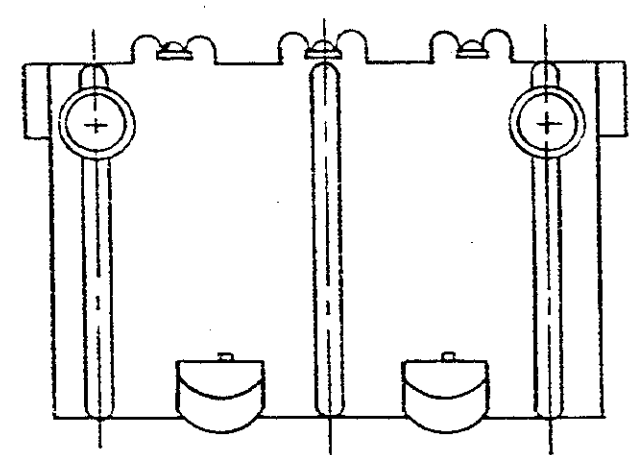
- PARTS COMPLY WITH AMP SOLDERABILITY SPEC. 109-11-3.
- RECOMMEND EXPOSURE TO SOLDER WAVE (490°F) NOT TO EXCEED 5 SECONDS.
- DIMENSION SHOWN REPRESENT PRODUCT IN DRY CONDITION. ADDITIONAL 2% GROWTH DUE TO END USE LOCATION MOISTURE ABSORPTION MAY OCCUR AND SHOULD BE ACCOUNTED FOR.



SECTION A-A



RECOMMENDED LAYOUT FOR .062 THICK P.C. BOARD
 TOL: ±.005



MOUNTING PROCEDURE

3	CONTACT	PH BRZ, PRE-TIN	2	643488-1
1	HOUSING	NYLON, 94V-0, NATURAL	1	
NO. PER ASSY	DESCRIPTION	MATERIAL & FINISH	ITEM NO.	PART NO

UNLESS OTHERWISE SPECIFIED DIMENSIONS ARE IN INCHES. TOLERANCES ON: DECIMALS ±.015 ANGLES ±	CONTRACT NO	TE Connectivity NAME P.C. HEADER ASSEMBLY, RIGHT ANGLE MOUNT, 3 CIRCUIT, COMMERCIAL MATE-N-LOK		
	DR 4-11-83 D.A. SALTZER			
MATERIAL SEE TABLE	CHK A.S. Heide 4/18/83	SIZE C	FSCM NO 00779	DRAWING NO 643488
	APPD A.E. TRAVIS 4/18/83	DSGN APPD	SCALE 4:1	SHEET
FINISH SEE TABLE	OTHER APPD	CUSTOMER DRAWING		

WAS CP83-31151-2

643488