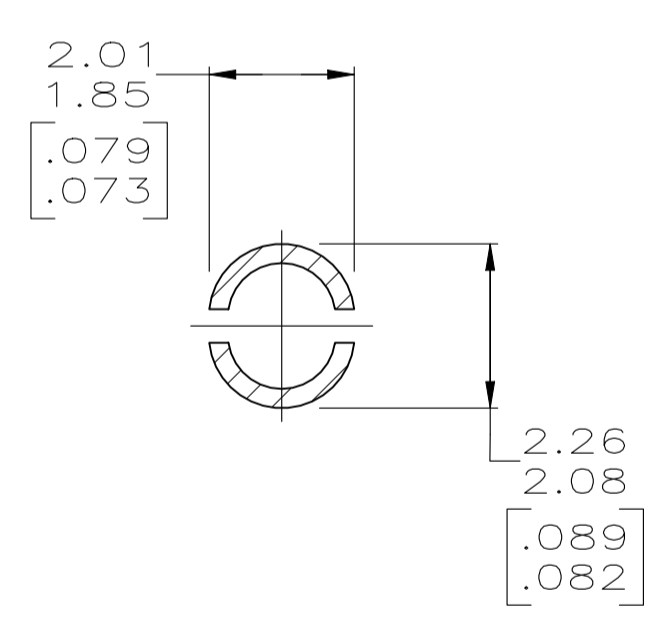
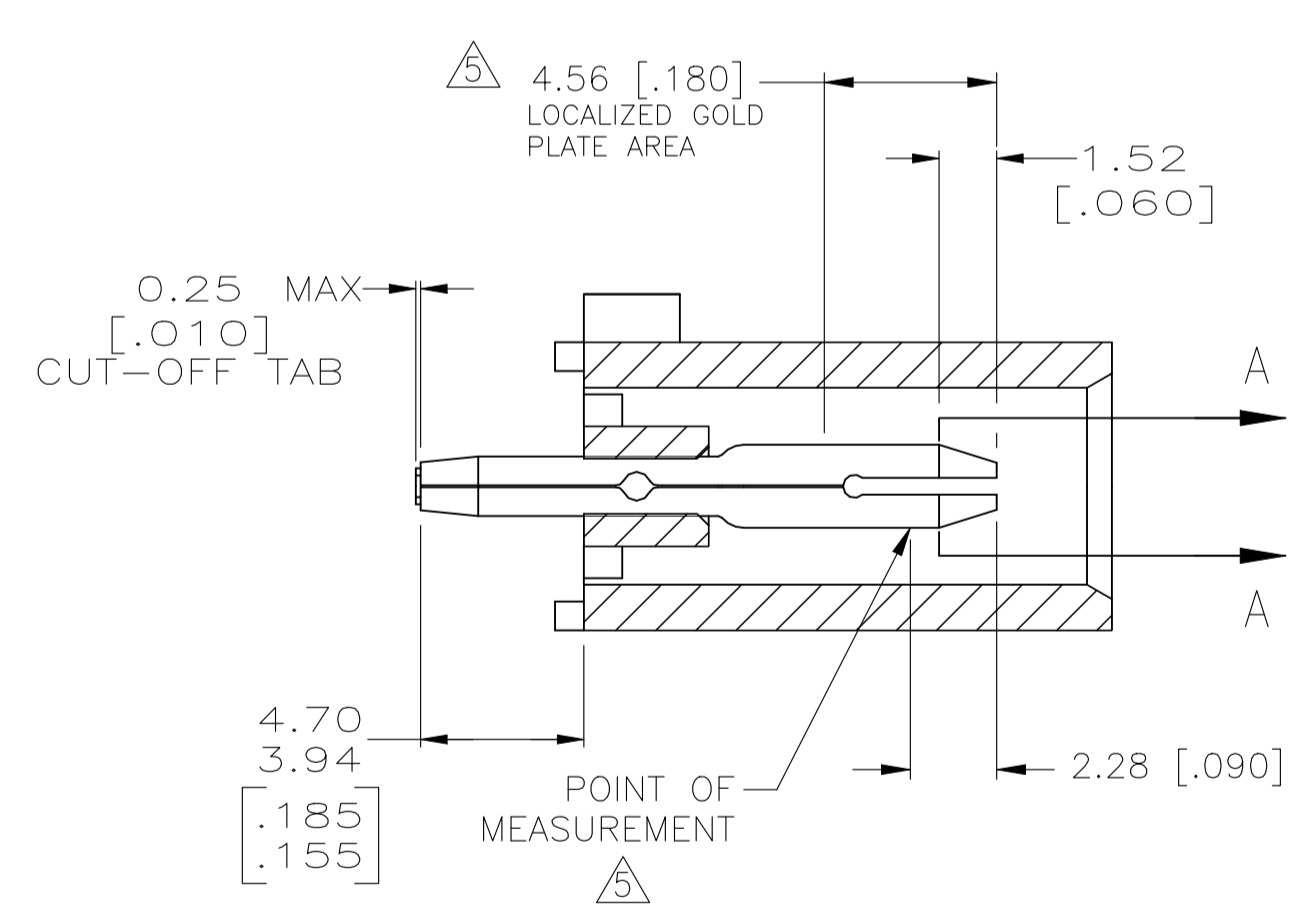
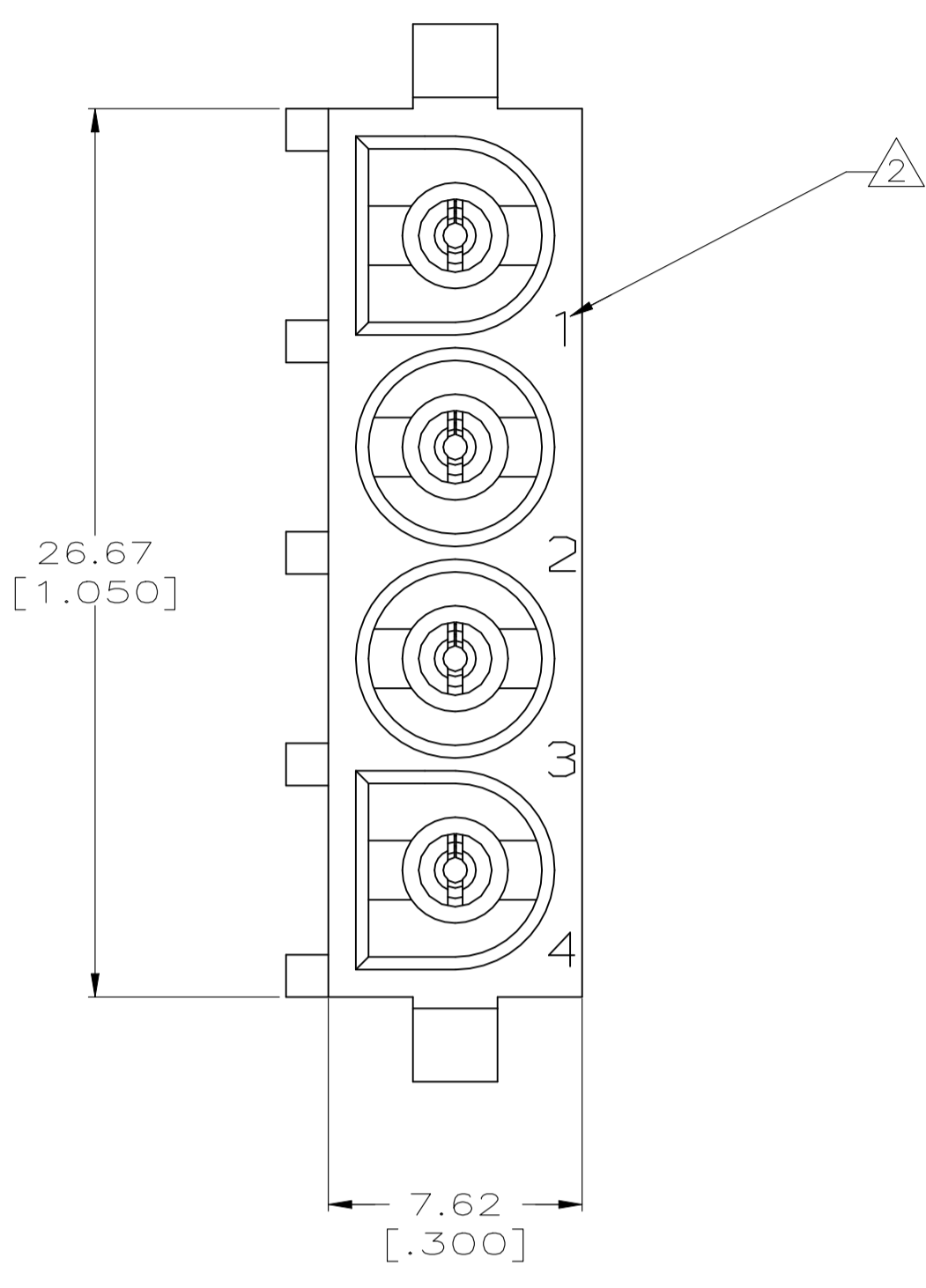
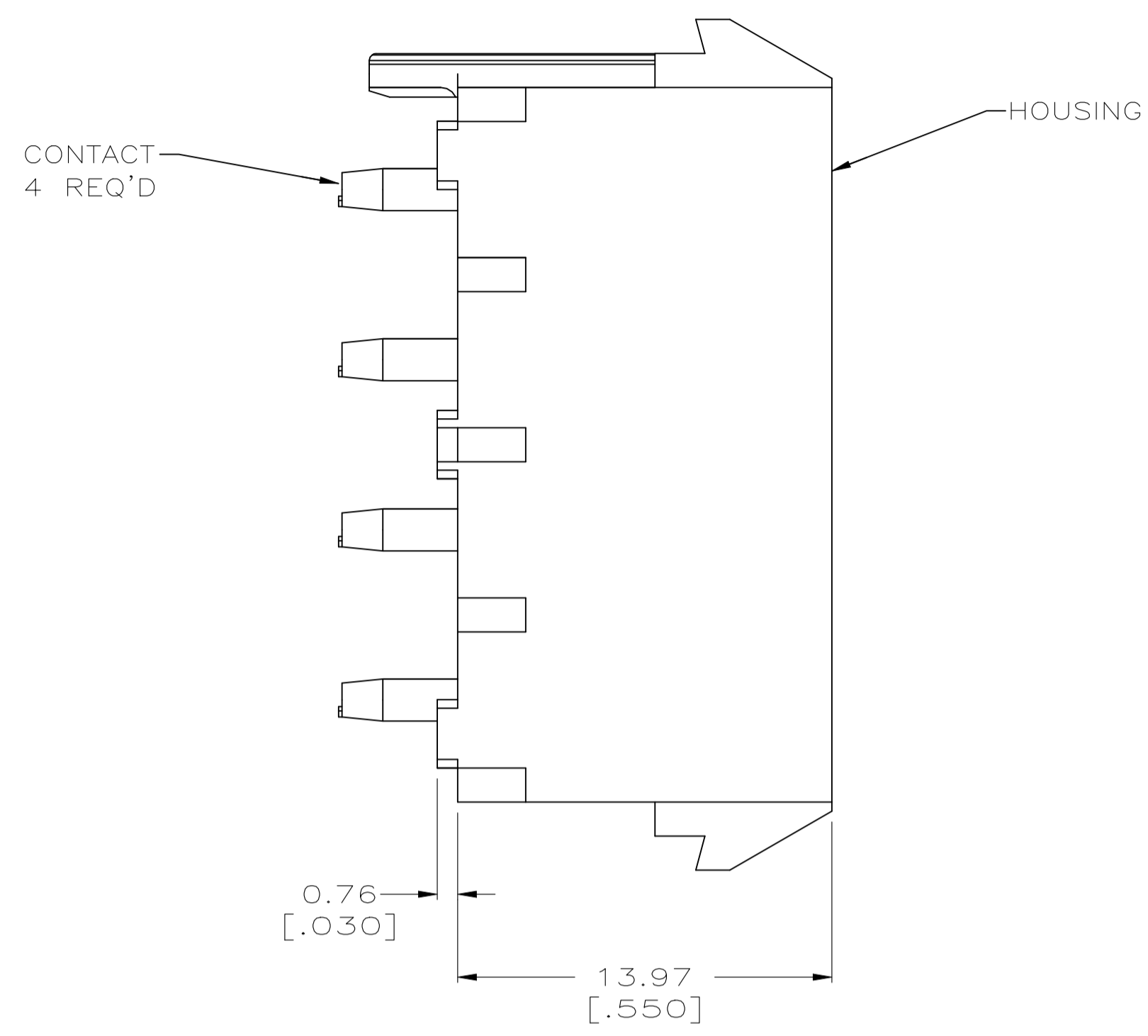
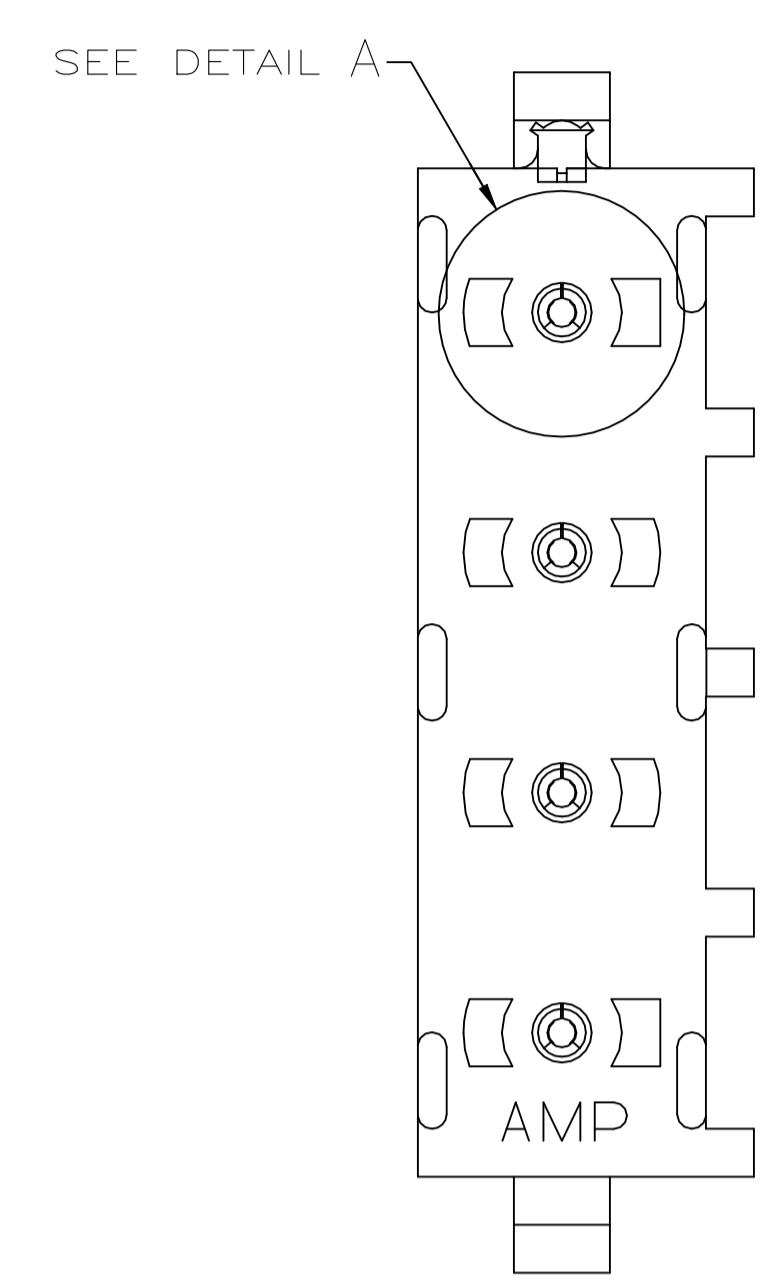
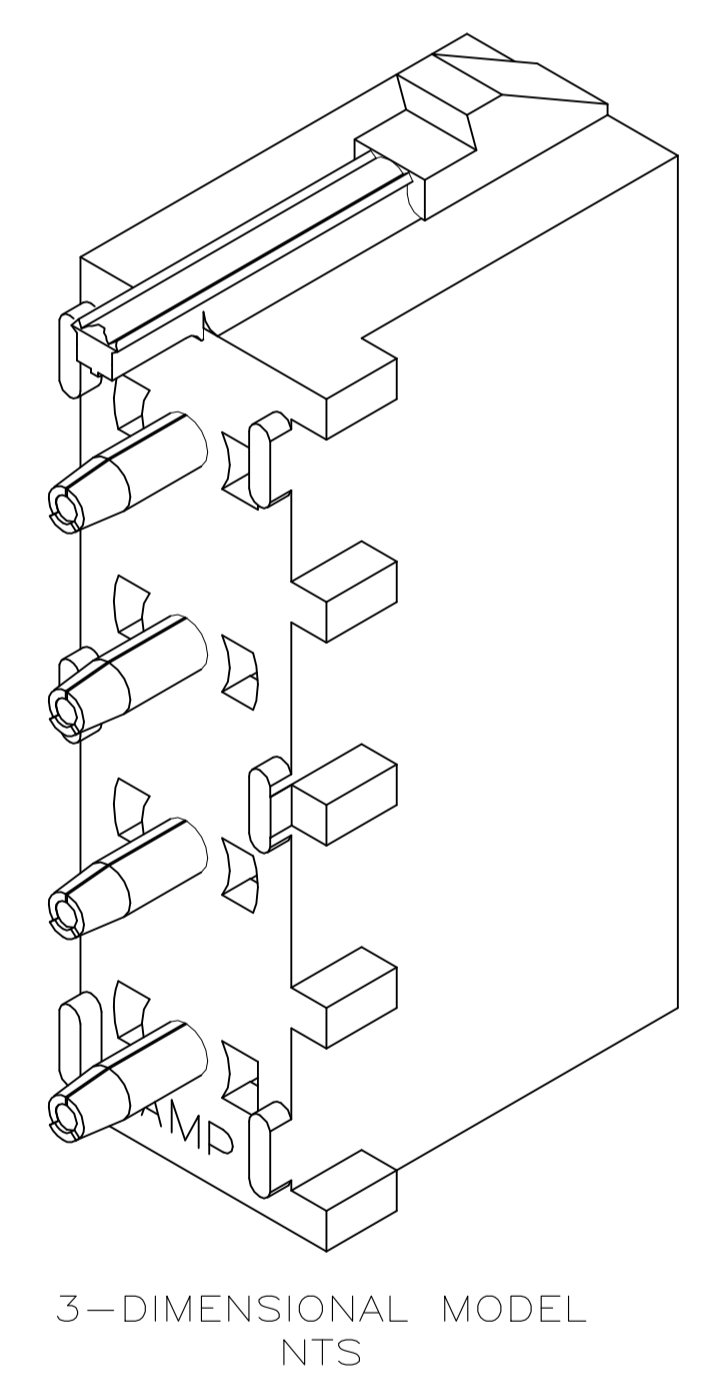


REVISIONS					
P	LTR	DESCRIPTION	DATE	DRN	APVD
P4		REVISED PER ECR-21-118222	21JUL2022	AVN	VS

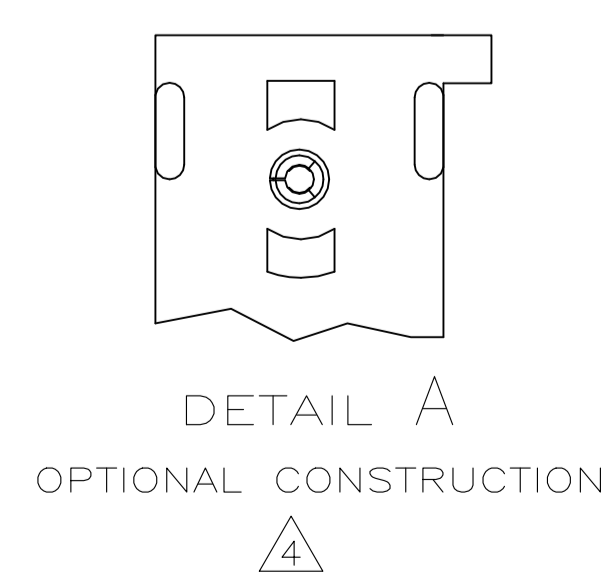
- PARTS COMPLY TO AMP SOLDERABILITY SPECIFICATION 109-11-3.
- CIRCUIT IDENTIFICATION CHARACTERS ARE ADJACENT TO THE INDICATED CAVITIES, BUT LOCATION AND ORIENTATION MAY DIFFER FROM PRINT.
- DIMENSIONS IN BRACKETS ARE IN INCHES.
- DRAIN HOLES LOCATED AS SHOWN. OPTIONAL CONSTRUCTION- ALL DRAIN HOLES LOCATED 90° AS SHOWN IN DETAIL A.
- CONTACT IS PLATED OVERALL WITH 0.00127 [.000050] NICKEL, THEN 0.00076 [.000030] GOLD OVER CONTACT LENGTH INDICATED AND MATTE-TIN ON SOLDER TAIL END.
- DIMENSIONS SHOWN REPRESENT PRODUCT IN DRY CONDITION. ADDITIONAL 2% GROWTH DUE TO END USE LOCATION MOISTURE ABSORPTION MAY OCCUR AND SHOULD BE ACCOUNTED FOR.



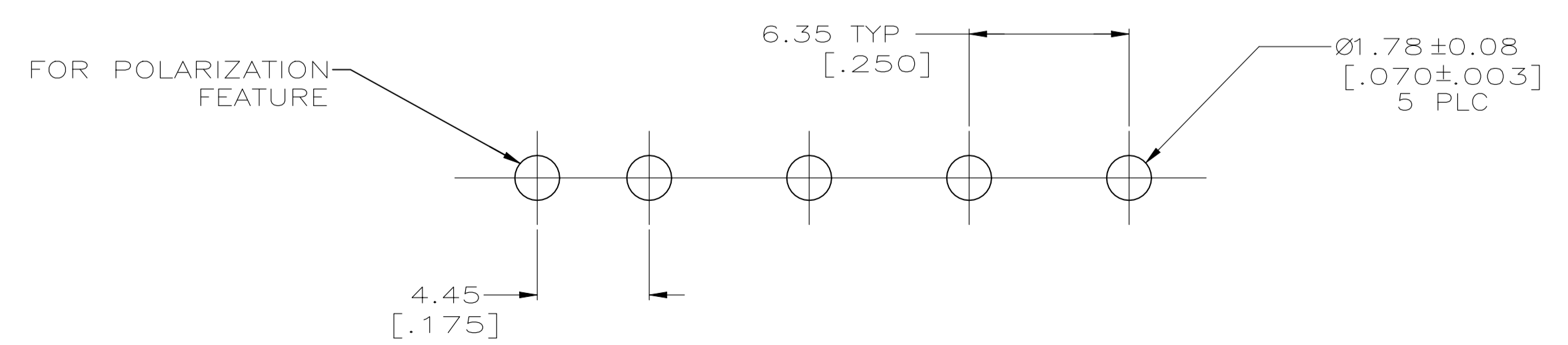
SECTION A-A  
SCALE 10:1



3-DIMENSIONAL MODEL  
NTS

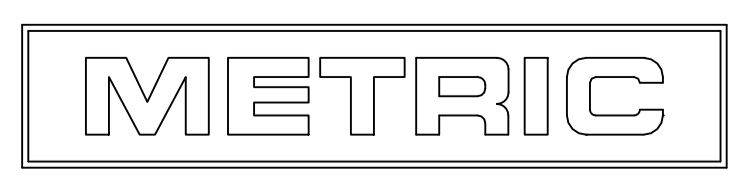


DETAIL A  
OPTIONAL CONSTRUCTION



RECOMMENDED MOUNTING HOLE PATTERN  
FOR 1.57 [.062] THICK P.C. BOARD

PHOSPHOR BRONZE, PRE-TIN	NYLON, UL94V-0,BLUE	6-641968-1
PHOSPHOR BRONZE, GOLD	NYLON, UL94V-0,WHITE	641968-4
PHOSPHOR BRONZE, PRE-TIN	NYLON, UL94V-0,BLACK	641968-3
PHOSPHOR BRONZE, PRE-TIN	NYLON, UL94V-0,WHITE	641968-1
CONTACT MATERIAL AND FINISH	HOUSING MATERIAL AND COLOR	PART NUMBER



THIS DRAWING IS A CONTROLLED DOCUMENT.		DIN L McEACHIN 07-JAN-2000		TE Connectivity	
DIMENSIONS: mm [INCHES]		TOLERANCES UNLESS OTHERWISE SPECIFIED:		NAME	
0 PLC ± -		1 PLC ± -		K COBLE 07-JUN-2000	
2 PLC ± 0.13 [.005]		3 PLC ± -		PRODUCT SPEC	
4 PLC ± -		ANGLES ± ± 0°30'		APPLICATION SPEC	
MATERIAL SEE TABLE		FINISH SEE TABLE		WEIGHT 0.000000	
CUSTOMER DRAWING		SCALE 5:1		SHEET 1 of 1	
REV P4		DRAWING NO A1 00779		PART NO 641968	