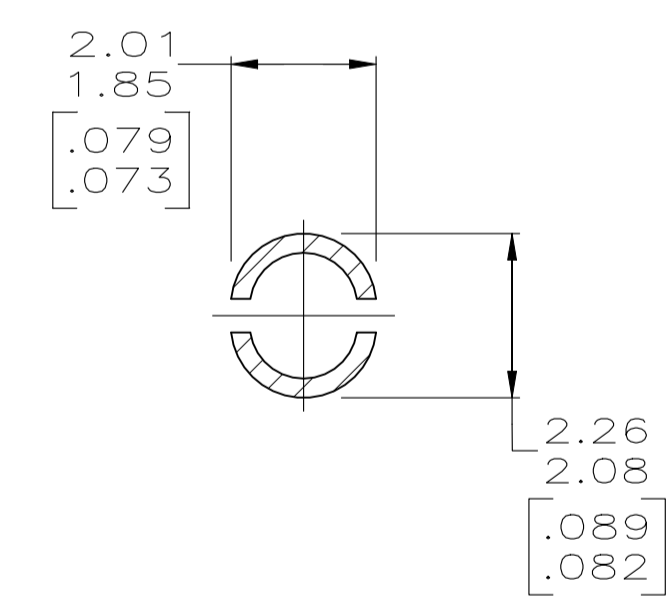
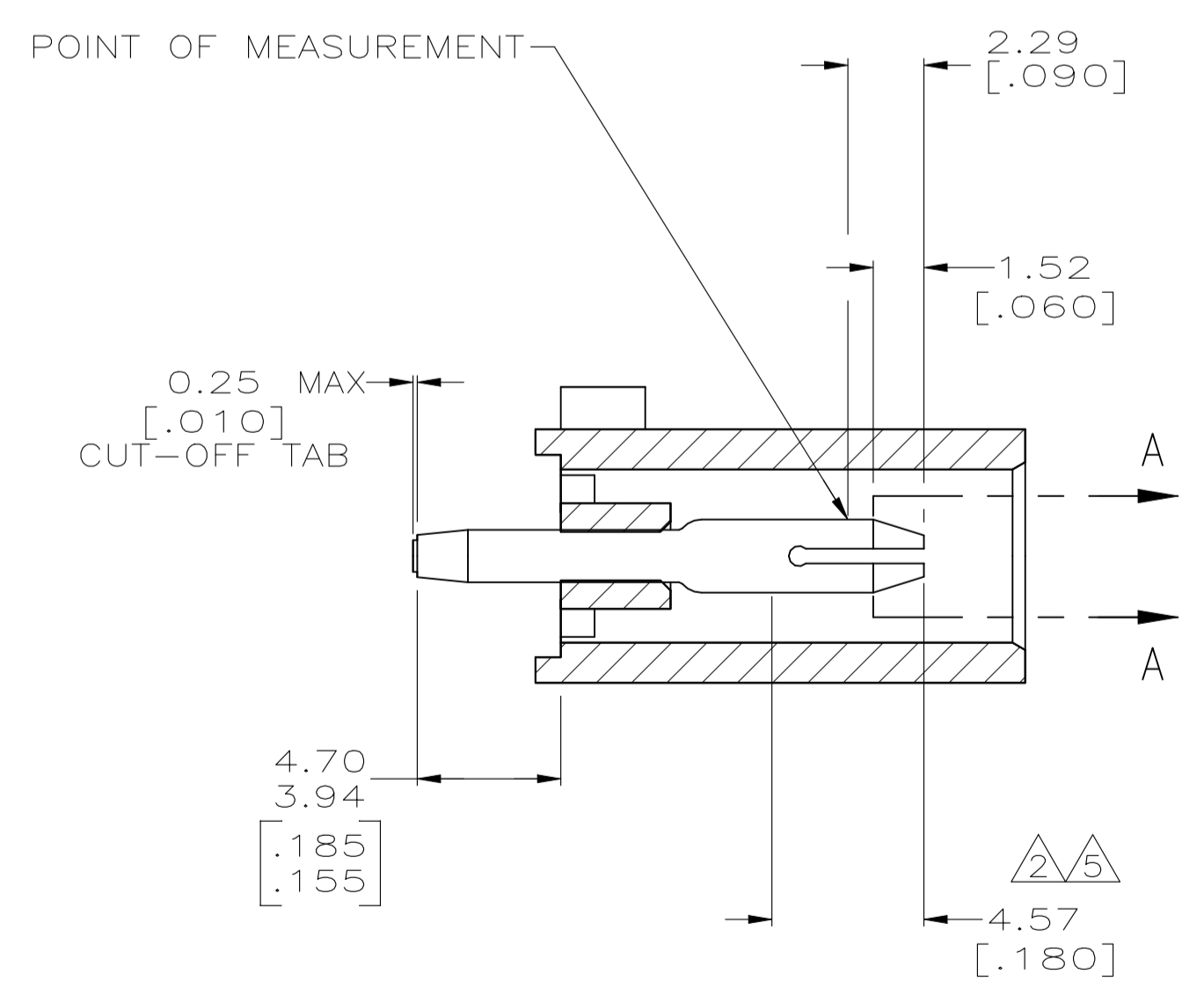
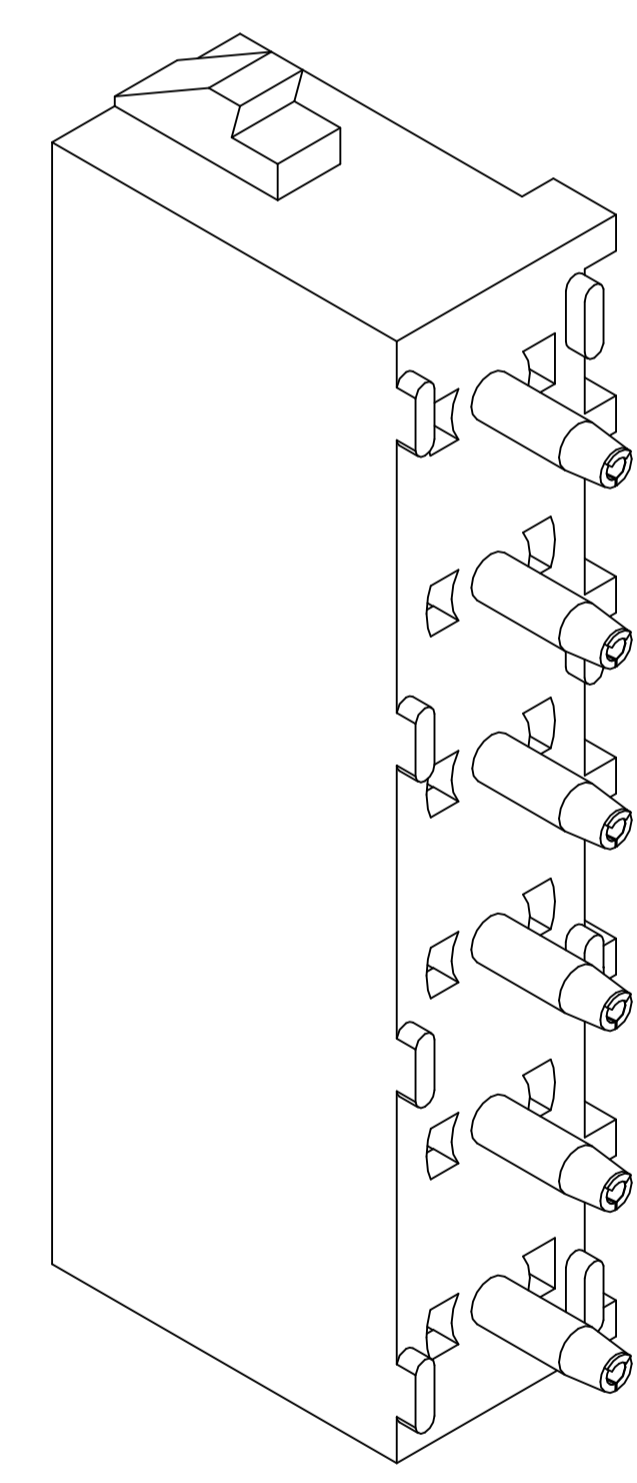
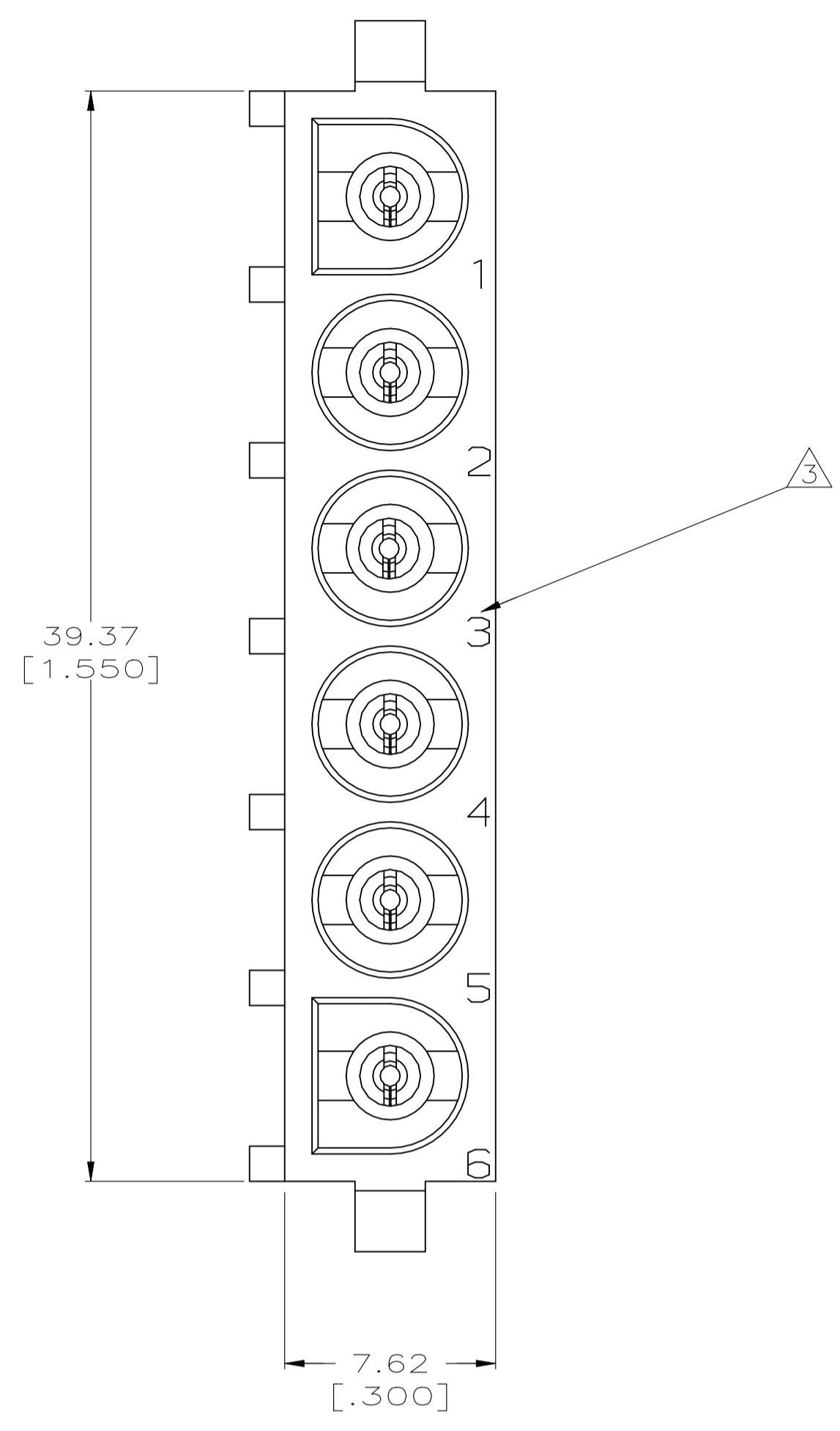
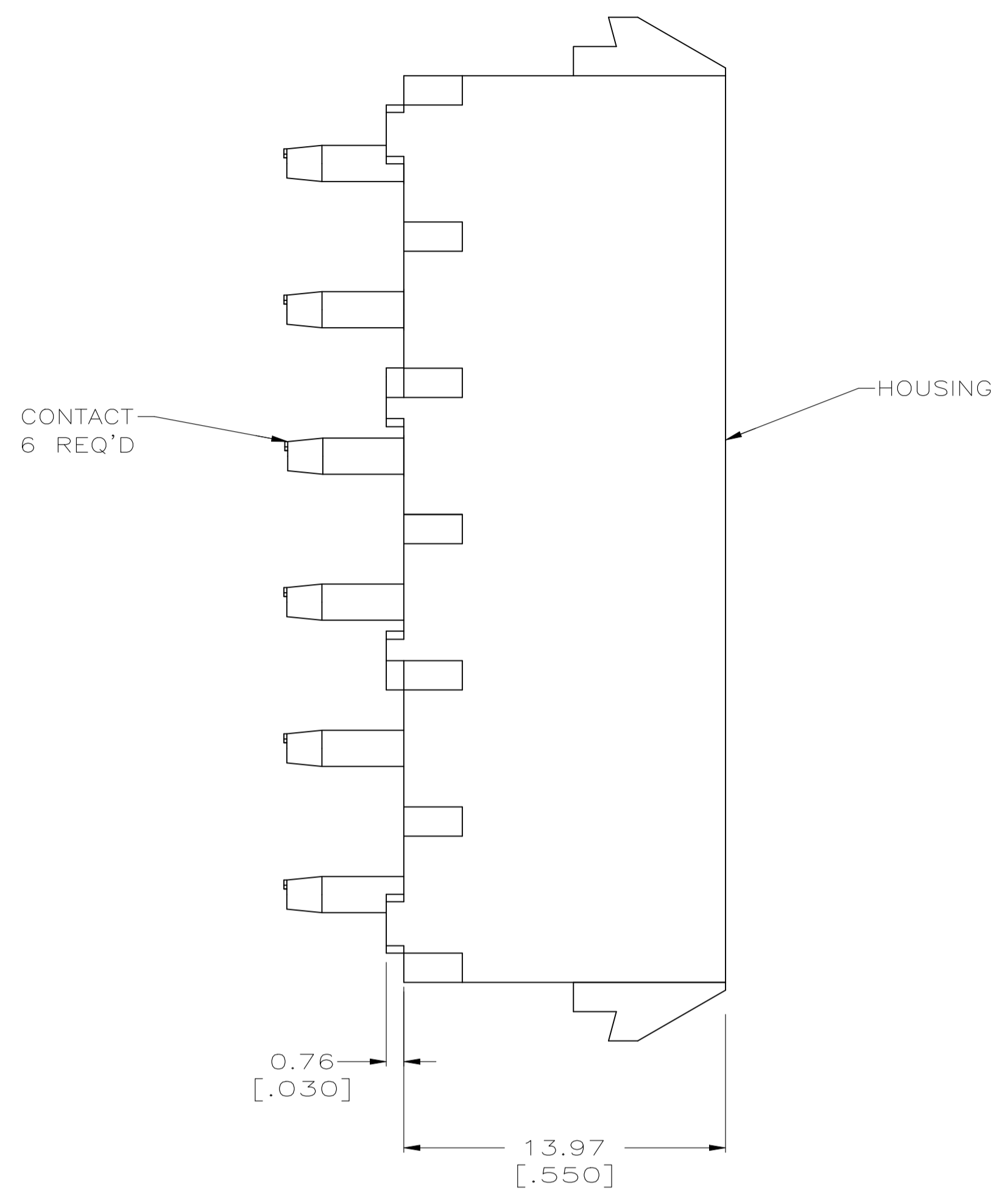
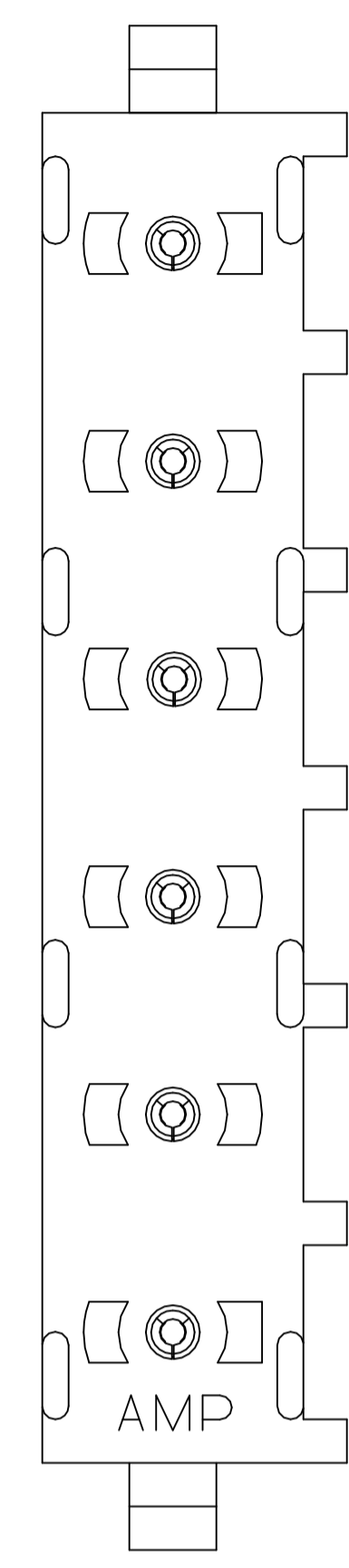
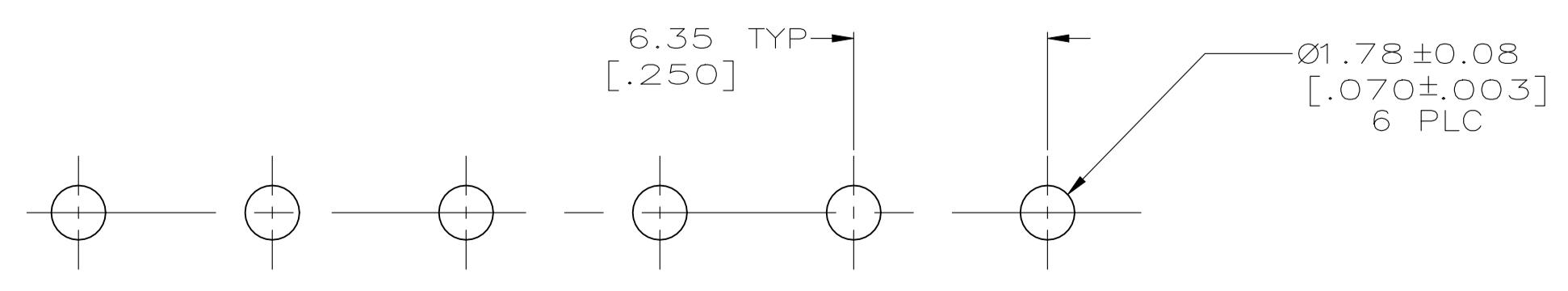


REVISIONS				
REV	DATE	DESCRIPTION	BY	APP'D
M7	22JUL2022	REVISED PER ECR-21-118222	AVN	VS

- 1 PARTS COMPLY TO AMP SOLDERABILITY SPECIFICATION 109-11-3.
- 2 CONTACT IS PLATED OVERALL WITH 0.00127 [.000050] NICKEL, THEN 0.00076 [.000030] GOLD OVER CONTACT LENGTH INDICATED AND MATTE TIN LEAD ON SOLDER TAIL END.
- 3 CIRCUIT IDENTIFICATION CHARACTERS ARE ADJACENT TO THE INDICATED CAVITIES, BUT LOCATION AND ORIENTATION MAY DIFFER FROM PRINT.
- 4 DIMENSIONS IN BRACKETS ARE IN INCHES.
- 5 CONTACT IS PLATED OVERALL WITH 0.00127 [.000050] NICKEL, THEN 0.00076 [.000030] GOLD OVER CONTACT LENGTH INDICATED AND MATTE TIN ON SOLDER TAIL END.
- 6 SUPERSEDED BY 641831-3
- 7 DIMENSIONS SHOWN REPRESENT PRODUCT IN DRY CONDITION. ADDITIONAL 2% GROWTH DUE TO END USE LOCATION MOISTURE ABSORPTION MAY OCCUR AND SHOULD BE ACCOUNTED FOR.



SECTION A-A
SCALE 10:1



RECOMMENDED MOUNTING HOLE PATTERN
FOR 1.57 [.062] THICK P.C. BOARD

MATERIAL	FINISH	HOUSING MATERIAL	PART NUMBER
PHOSPHOR BRONZE, PRE-TIN		NYLON,UL94V-0,BLUE	1-641831-6
PHOSPHOR BRONZE, PRE-TIN		NYLON,UL94V-0,RED	1-641831-2
PHOSPHOR BRONZE, GOLD	5	NYLON,UL94V-0,WHITE	641831-3
PHOSPHOR BRONZE, GOLD	2	NYLON,UL94V-0,WHITE	641831-2
PHOSPHOR BRONZE, PRE-TIN		NYLON,UL94V-0,WHITE	641831-1

THIS DRAWING IS A CONTROLLED DOCUMENT.		DIN 10-05-98	TE Connectivity	
DIMENSIONS: mm [INCHES]		10-05-98		
TOLERANCES UNLESS OTHERWISE SPECIFIED:		APPROVED	NAME	
0 PLC ± -		M. TRULL	PIN HEADER ASSEMBLY, 6 CIRCUIT	
1 PLC ± -			UNIVERSAL MATE-N-LOK(TM)	
2 PLC ± 0.13 [.005]			APPLICATION SPEC	
3 PLC ± -			SIZE	
4 PLC ± -			CAGE CODE	
ANGLES ± ± 0°30'			DRAWING NO	
MATERIAL SEE TABLE	FINISH SEE TABLE	WEIGHT 0.000000	A1 00779	641831
		CUSTOMER DRAWING		RESTRICTED TO
		SCALE 5:1	SHEET 1 of 1	REV M7