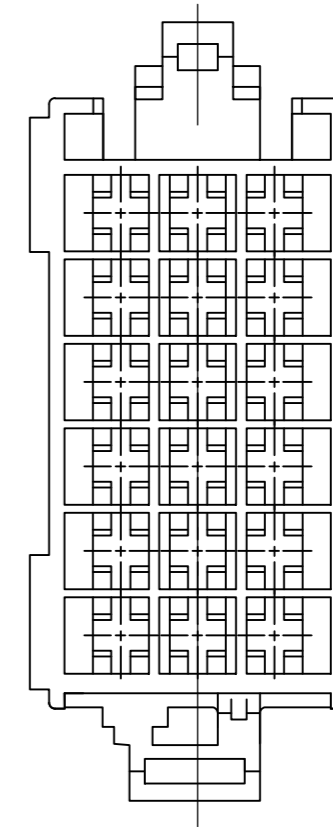
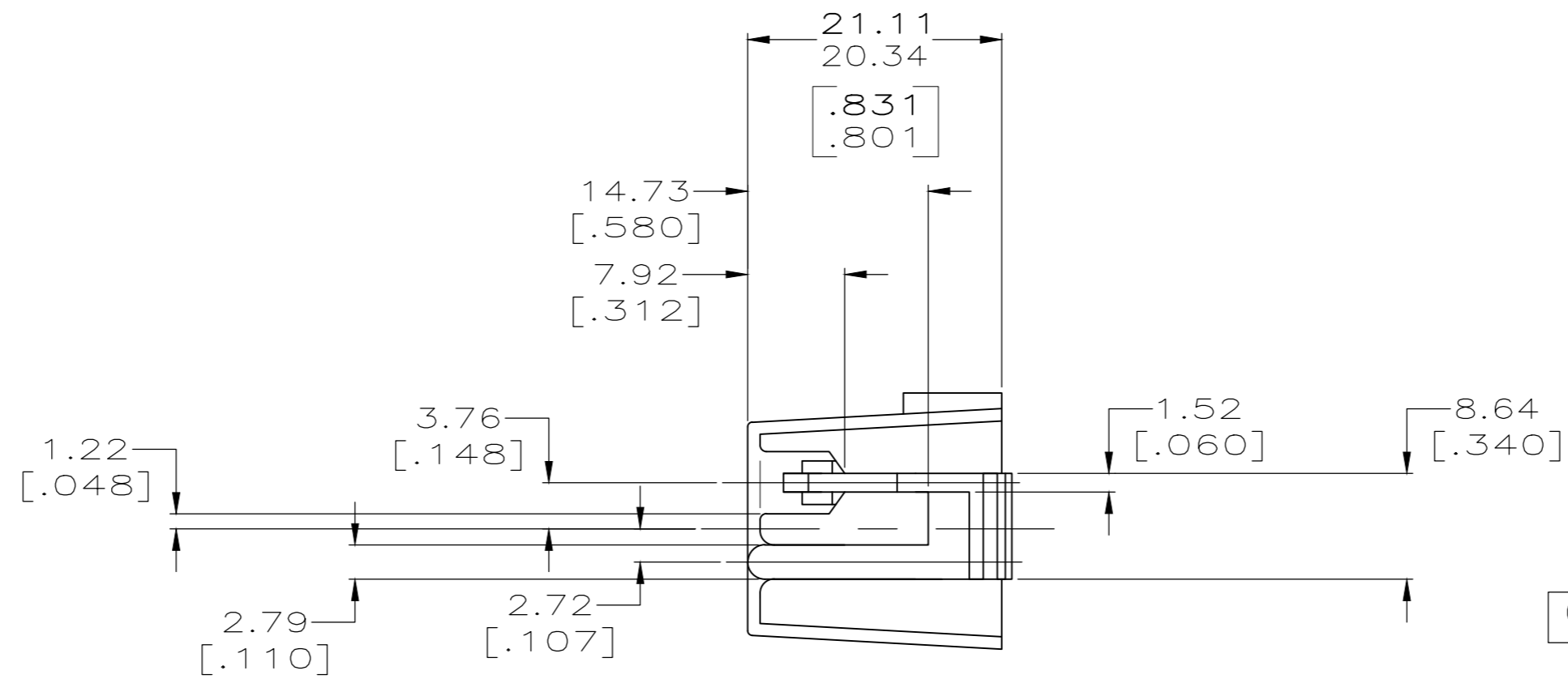
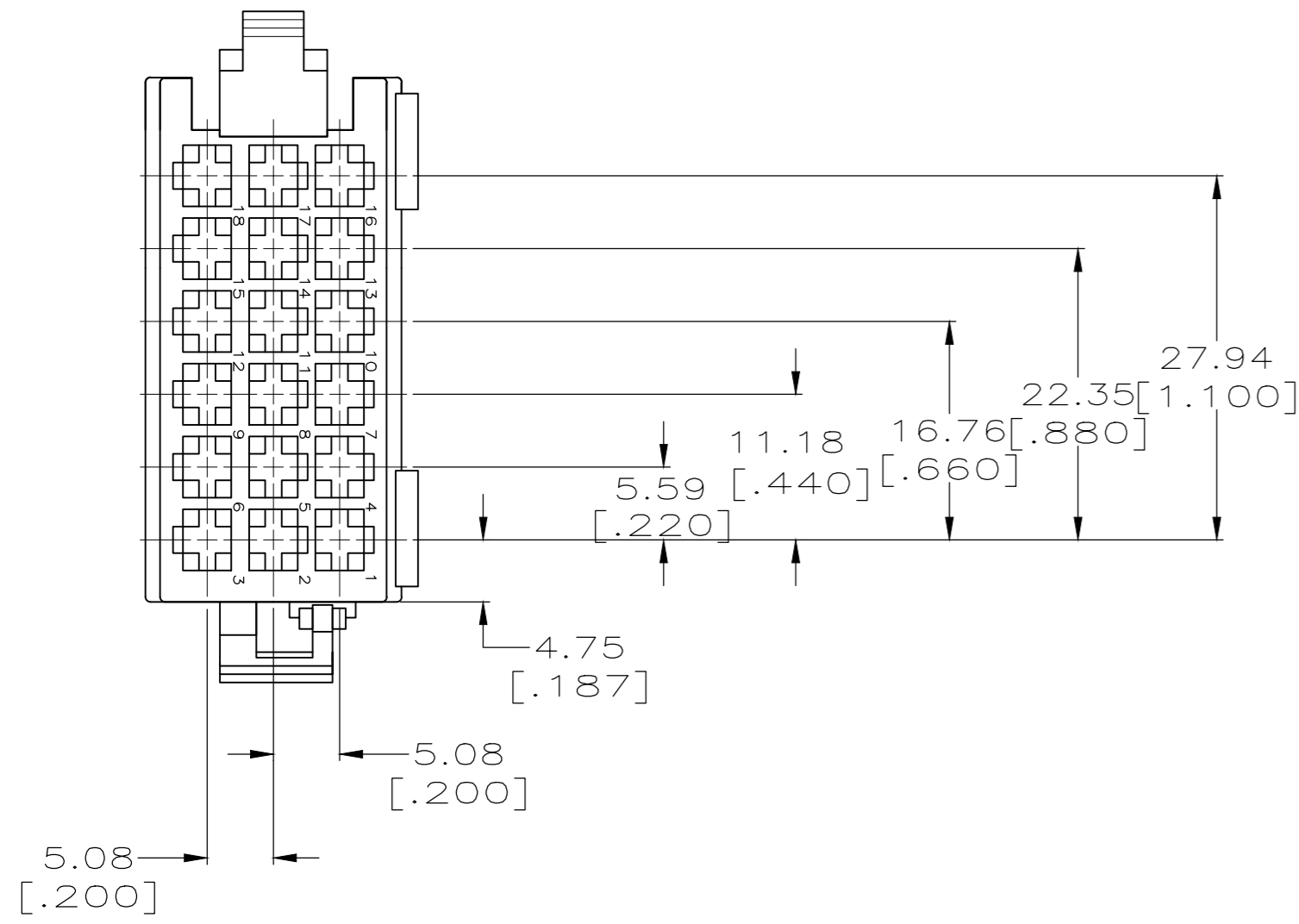
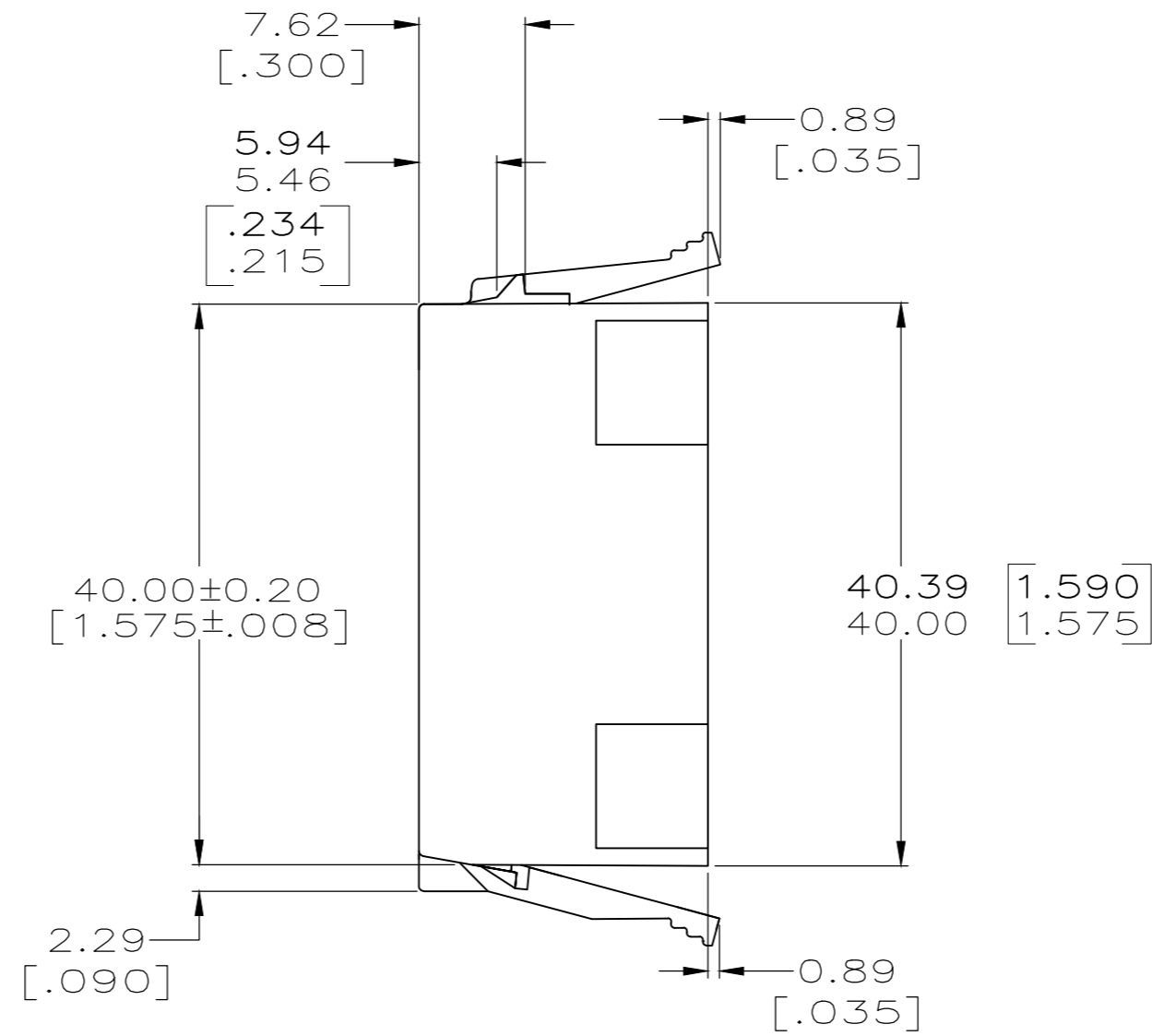
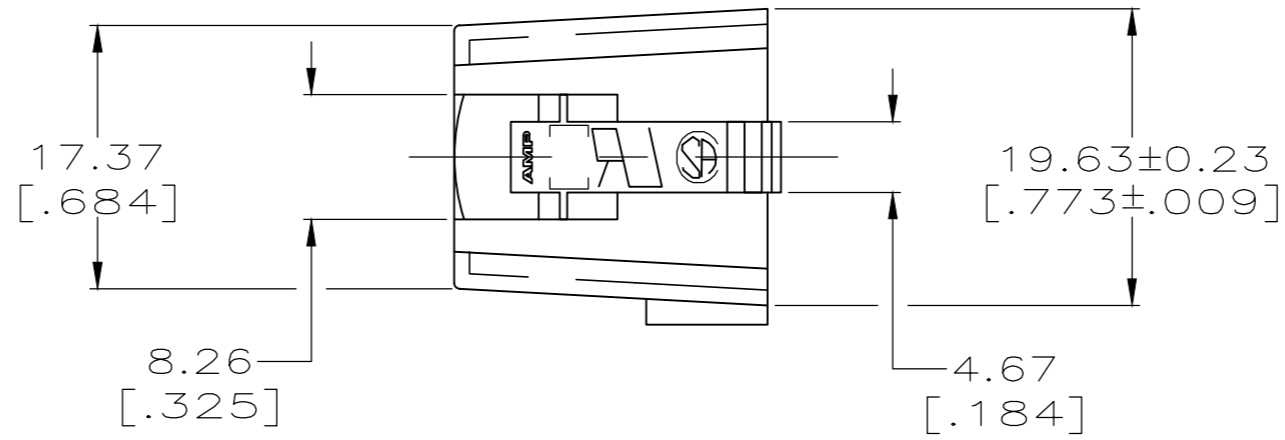


THIS DRAWING IS UNPUBLISHED. RELEASED FOR PUBLICATION  
 © COPYRIGHT - TE Connectivity Ltd. ALL RIGHTS RESERVED.

REVISIONS					
P	LTR	DESCRIPTION	DATE	DWN	APVD
N1		REVISED PER ECR-18-008168	11JUL18	MD	TD

- 1 PART TO ACCEPT TERMINALS 61603-1 AND 63604-1.
- 2 PRELIMINARY - NOT FOR PRODUCTION.



	NYLON V-0	2	641414-2
OBSOLETE	NYLON 6/6		641414-1
	MATERIAL		PART NUMBER

THIS DRAWING IS A CONTROLLED DOCUMENT.		DWN	27/JAN/97	PHILLIP M. FORTNEY	
DIMENSIONS: mm		CHK	27/JAN/97	JEFF R. RUTH	
TOLERANCES UNLESS OTHERWISE SPECIFIED:		APVD	27/JAN/97	JEFF FYLSTRA	
0 PLC ± -		PRODUCT SPEC		NAME	
1 PLC ± -		APPLICATION SPEC		HOUSING, RIGHT HAND, 18 CIRCUIT, TIMER CONNECTOR	
2 PLC ± 0.25 [.010]				SIZE	CAGE CODE
3 PLC ± -				A2	00779
4 PLC ± -				SCALE	SHEET
ANGLES ± -				2:1	1 OF 1
MATERIAL	FINISH	WEIGHT	0,000000	DRAWING NO	RESTRICTED TO
SEE TABLE	BLACK	CUSTOMER DRAWING		C=641414	-
			REV	N1	