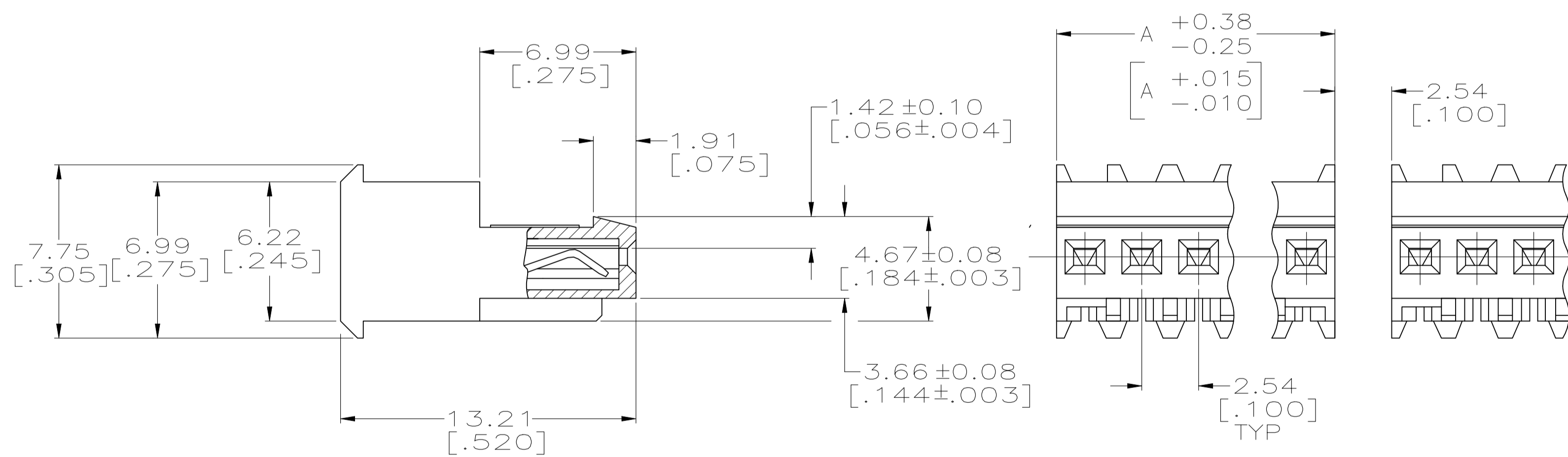
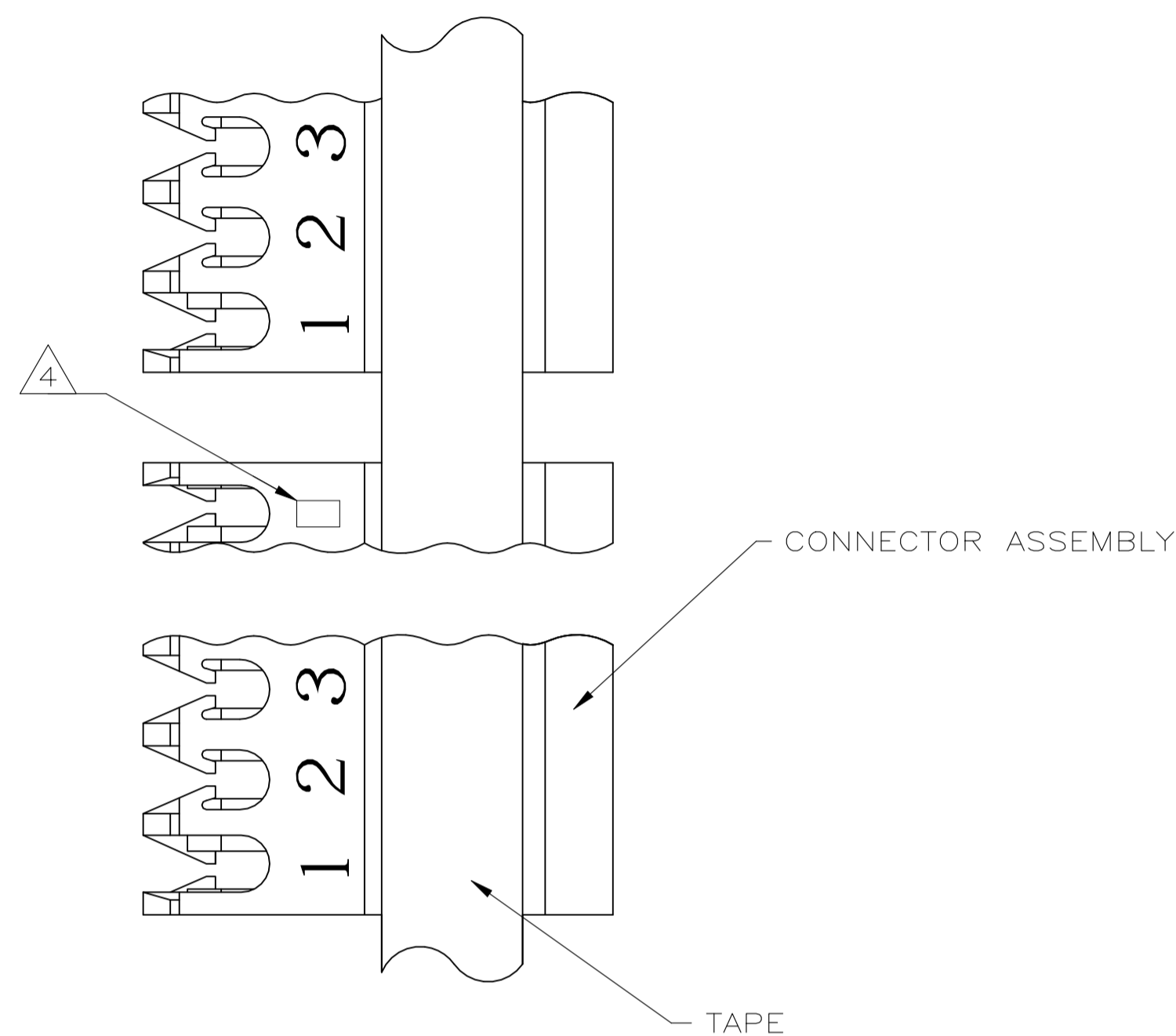


REVISIONS					
REV	DATE	DESCRIPTION	BY	CHK	APPD
K1	29AUG2023	REVISED PER ECR-23-179060	AK	JP	

- 1 MATERIAL: CONNECTOR – NYLON UL94-V2 (BLUE).
CONTACTS – 0.30[.012] THICK COPPER ALLOY
BRIGHT TIN-LEAD 0.00203[.000080] MIN. THICK
FOR CONTACTS 641313-2 THRU 2-641313-8.
MATTE WHISKER MITIGATED TIN PLATE 0.00203[.000080] MIN. THICK
OVER NICKEL UNDERPLATE FOR CONTACTS 3-641313-2 THRU
5-641313-8.
- 2 CONTACTS ACCEPT 26 AWG WIRE WITH 1.52 [.060] MAXIMUM INSULATION
DIAMETER.
- 3 CONTACTS MUST ACCEPT 0.64±0.03 [.025±.001] SQUARE POST AND REMAIN
LOCKED IN POSITION.
- 4 IDENTIFICATION NUMBER FOR LAST CIRCUIT MAY NOT APPEAR ON ALL ASSEMBLIES.
- 5 DIMENSIONS IN BRACKETS ARE IN INCHES.
- 6 HOUSING FEATURES ARE: FEED THRU WITH LOCKING RAMP.
- 7 OBSOLETE PARTS: OBSOLETE CIS STREAMLINING PER D.RENAUD/D.SINISI



OBSOLETE

71.12 [2.800]	28	5-641313-8
68.58 [2.700]	27	5-641313-7
66.04 [2.600]	26	5-641313-6
63.50 [2.500]	25	5-641313-5
60.96 [2.400]	24	5-641313-4
58.42 [2.300]	23	5-641313-3
55.88 [2.200]	22	5-641313-2
53.34 [2.100]	21	5-641313-1
50.80 [2.000]	20	5-641313-0
48.26 [1.900]	19	4-641313-9
45.72 [1.800]	18	4-641313-8
43.18 [1.700]	17	4-641313-7
40.64 [1.600]	16	4-641313-6
38.10 [1.500]	15	4-641313-5
35.56 [1.400]	14	4-641313-4
33.02 [1.300]	13	4-641313-3
30.48 [1.200]	12	4-641313-2
27.94 [1.100]	11	4-641313-1
25.40 [1.000]	10	4-641313-0
22.86 [.900]	9	3-641313-9
20.32 [.800]	8	3-641313-8
17.78 [.700]	7	3-641313-7
15.24 [.600]	6	3-641313-6
12.70 [.500]	5	3-641313-5
10.16 [.400]	4	3-641313-4
7.62 [.300]	3	3-641313-3
5.08 [.200]	2	3-641313-2
DIM A	NO.OF POSN	ASSEMBLY

71.12 [2.800]	28	2-641313-8
68.58 [2.700]	27	2-641313-7
66.04 [2.600]	26	2-641313-6
63.50 [2.500]	25	2-641313-5
60.96 [2.400]	24	2-641313-4
58.42 [2.300]	23	2-641313-3
55.88 [2.200]	22	2-641313-2
53.34 [2.100]	21	2-641313-1
50.80 [2.000]	20	2-641313-0
48.26 [1.900]	19	1-641313-9
45.72 [1.800]	18	1-641313-8
43.18 [1.700]	17	1-641313-7
40.64 [1.600]	16	1-641313-6
38.10 [1.500]	15	1-641313-5
35.56 [1.400]	14	1-641313-4
33.02 [1.300]	13	1-641313-3
30.48 [1.200]	12	1-641313-2
27.94 [1.100]	11	1-641313-1
25.40 [1.000]	10	1-641313-0
22.86 [.900]	9	641313-9
20.32 [.800]	8	641313-8
17.78 [.700]	7	641313-7
15.24 [.600]	6	641313-6
12.70 [.500]	5	641313-5
10.16 [.400]	4	641313-4
7.62 [.300]	3	641313-3
5.08 [.200]	2	641313-2
DIM A	NO.OF POSN	ASSEMBLY

THIS DRAWING IS A CONTROLLED DOCUMENT.

DIMENSIONS: mm [INCHES]	TOLERANCES UNLESS OTHERWISE SPECIFIED:	DIN S. HOOVER 10-DEC-2004	CHK: D. BOSSI 10-DEC-2004	APPRO: D. BOSSI 10-DEC-2004	NAME: MTA-100 CONNECTOR ASSEMBLY, 26 AWG, TAPE MOUNTED, STANDARD
0. PLC ±	1. PLC ±	2. PLC ±	3. PLC ±	4. PLC ±	RESTRICTED TO
ANGLES ±	FINISH ±	WEIGHT	SIZE	CAGE CODE	DRAWING NO
MATERIAL	FINISH	WEIGHT	SIZE	CAGE CODE	DRAWING NO
		WEIGHT	SCALE	SHEET	REV

CUSTOMER DRAWING SCALE 6:1 SHEET 1 OF 1 REV K1