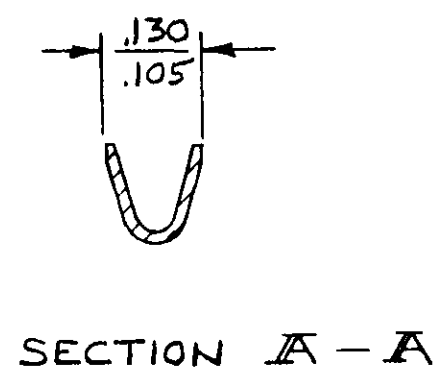
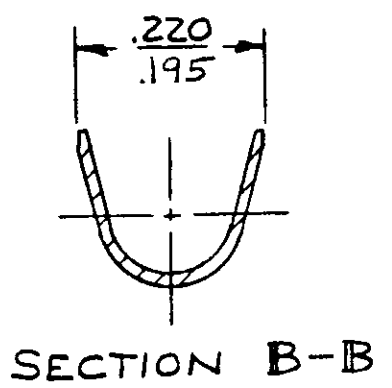
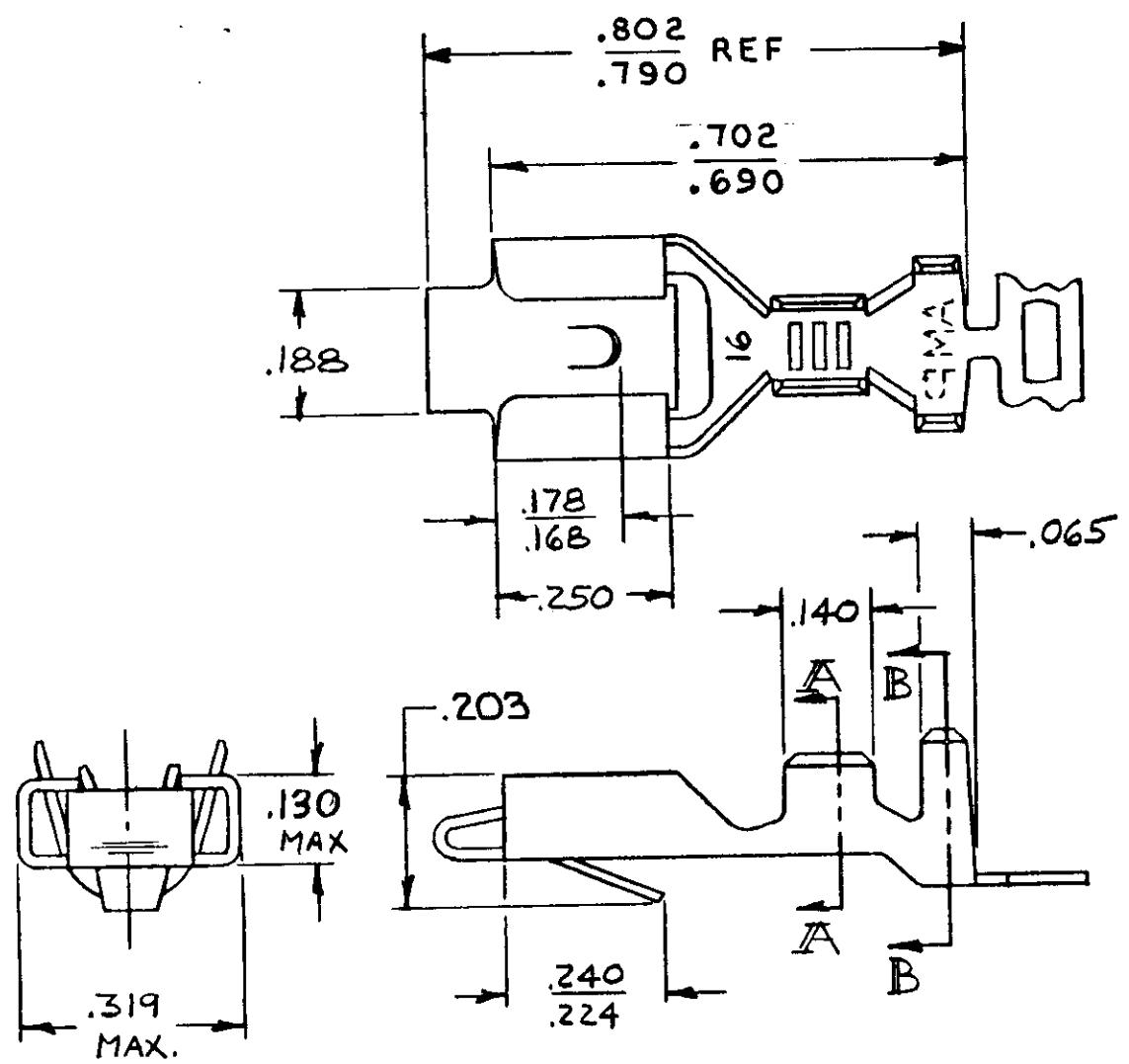


© COPYRIGHT 1978 BY AMP INCORPORATED, HARRISBURG, PA.
 ALL INTERNATIONAL RIGHTS RESERVED. AMP INCORPORATED PRODUCTS
 COVERED BY U. S. AND FOREIGN PATENTS AND/OR PATENTS PENDING.

REVISIONS					
P	ZONE	LTR	DESCRIPTION	DATE	APPROVED
1		F	REVISED PER ECR-13-005733	23AUG13	PD



FINISH	.145 MAX	20-16 AWG	640841-1
INSULATION RANGE	WIRE SIZE	PART NO	
CONTRACT NO			
DR D.A. SALTZER 5-24-78	NAME		
CHK D.S. KIDLEY 6/6/78	.250 BLADE RECEPTACLE		
MATERIAL BRASS	APPD [Signature]	APPD [Signature]	SIZE B
FINISH SEE TABLE	DSGN APPD	OTHER APPD	CODE IDENT NO 00779
			DRAWING NO 640841
			SCALE
			SHEET