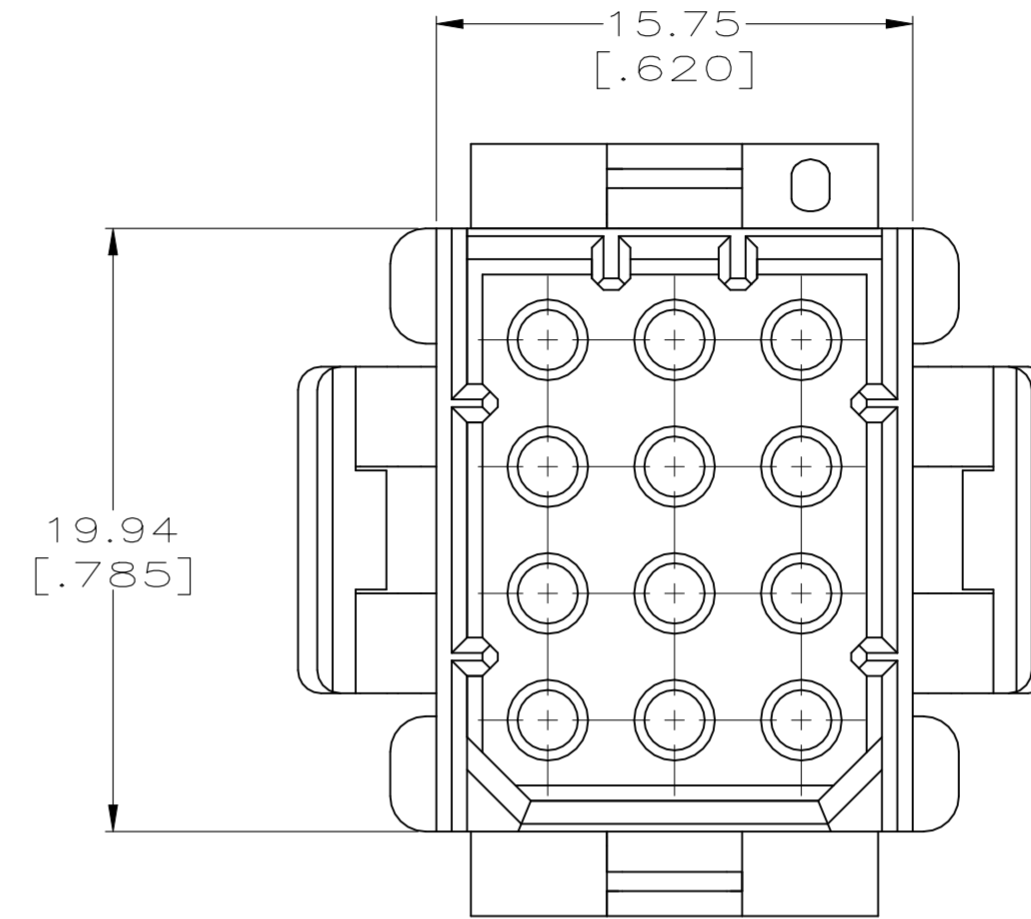
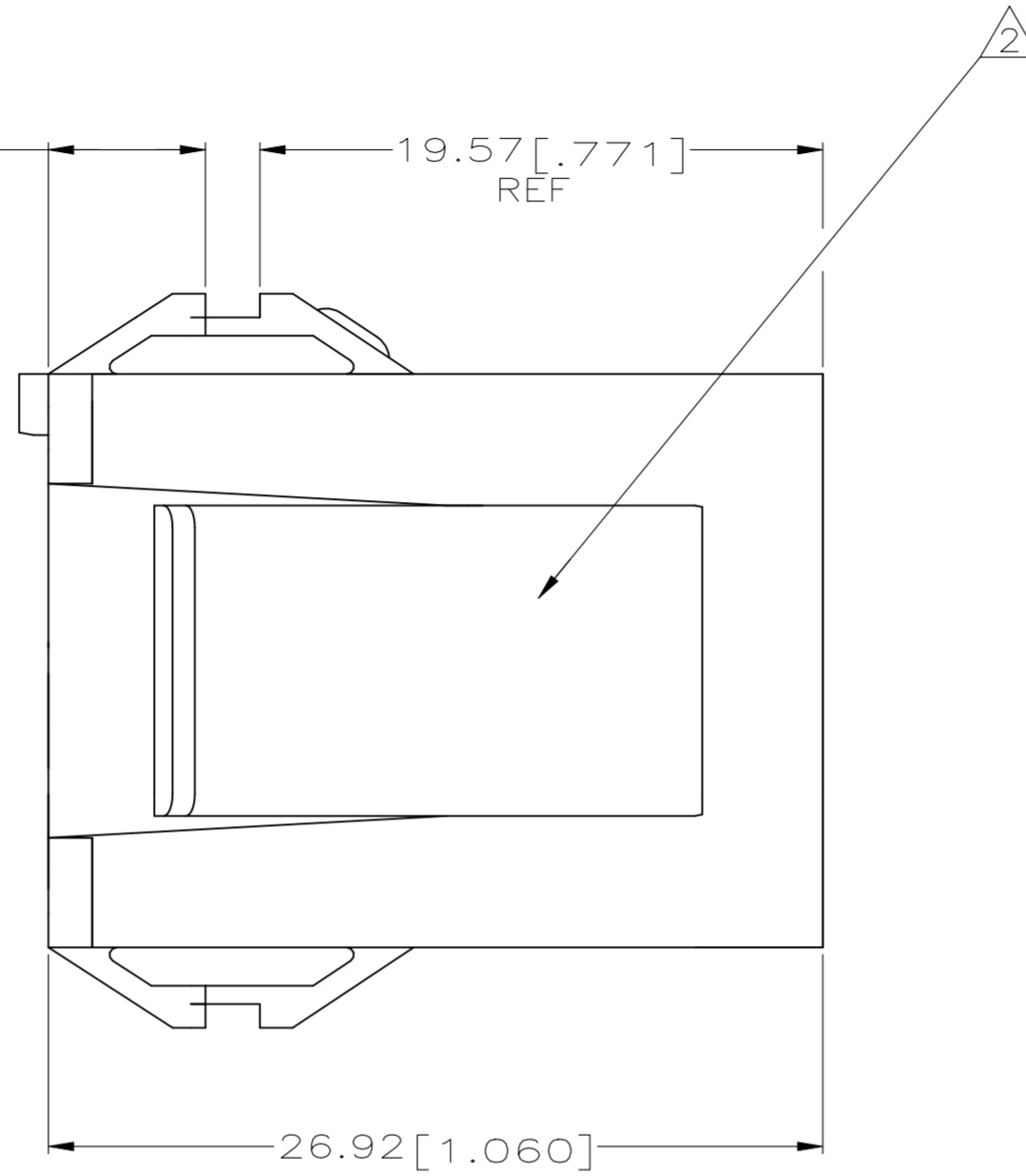
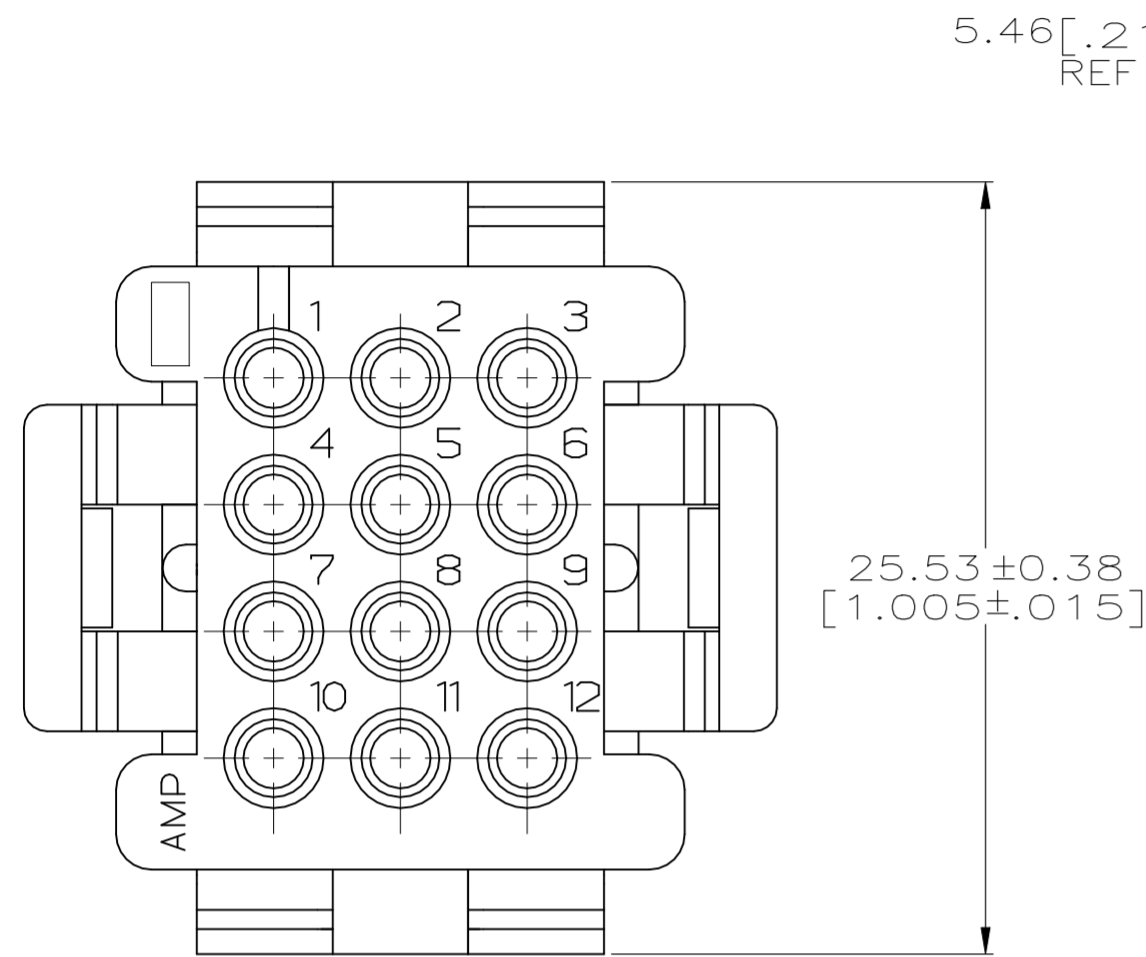
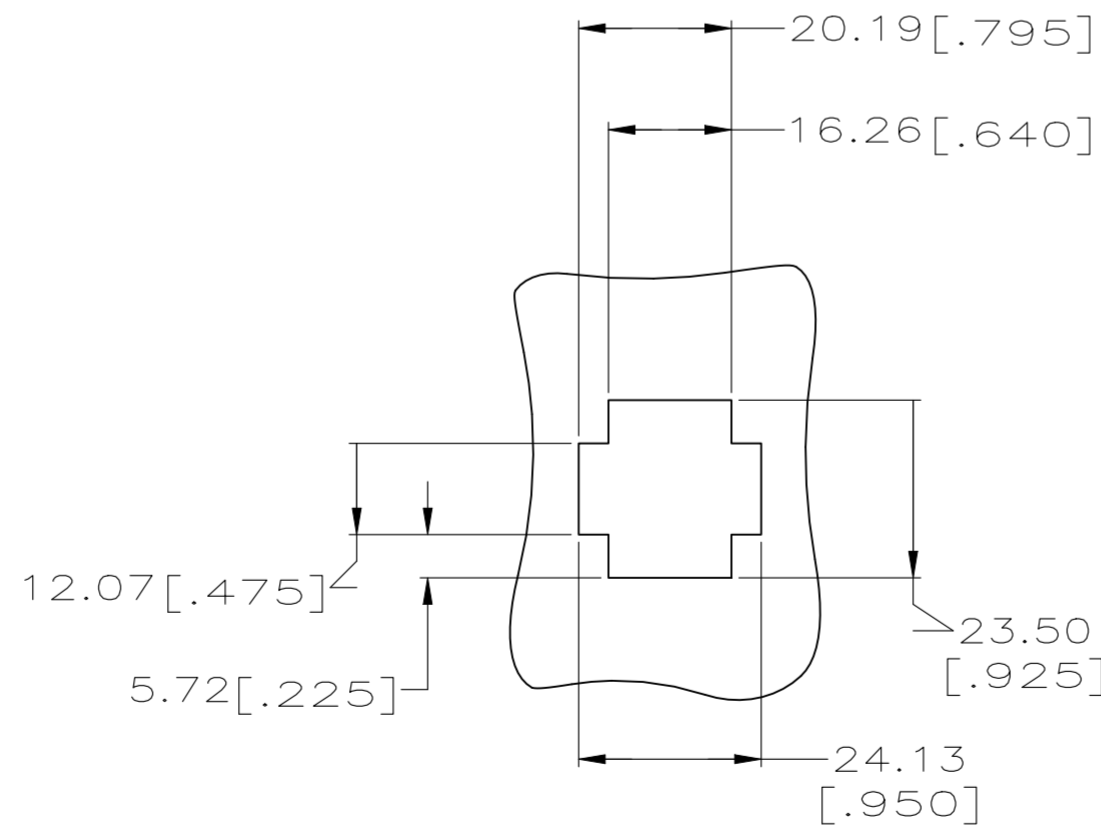
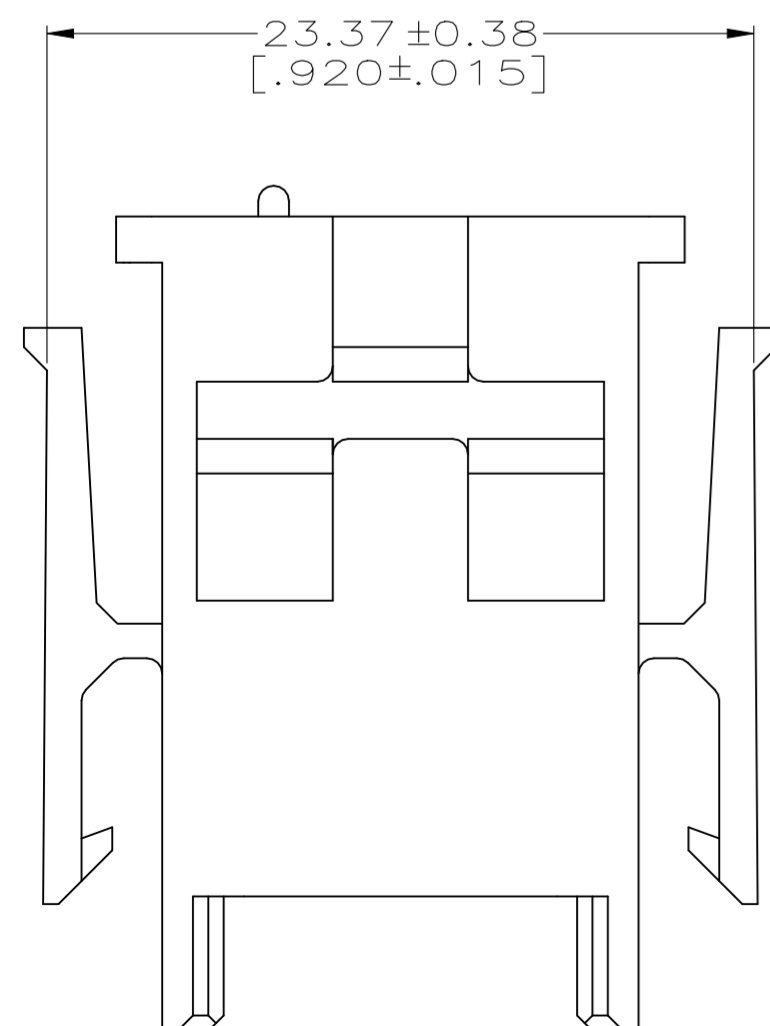


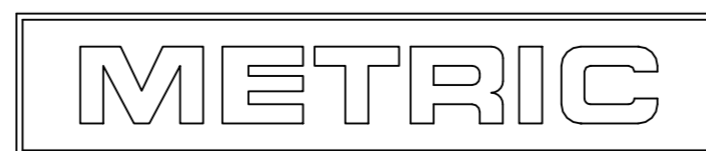
REVISIONS					
P	LTR	DESCRIPTION	DATE	DWN	APVD
E		ECO-21-006876	15DEC2021	RK	MZ



- 1. MATES WITH HOUSING 640522.
- △ UL LOGO AND CSA LOGO TO APPEAR ON EITHER LATCH SURFACE PER AMP SPEC 202-20, I.D. NO. 1-18838-3 AND 1-18839-3. FROST BACKGROUND OPTIONAL.
- 3. DIMENSIONS IN BRACKETS ARE IN INCHES.
- △ HOUSING MATERIAL: PA66, BLACK, UL 94 V-0 RATED



RECOMMENDED CUT OUT  
FOR 1.73[.068] MAX THICK PANEL  
SCALE 1:1



1-640512-0  
PART NUMBER

THIS DRAWING IS A CONTROLLED DOCUMENT.		DWN R. VESTAL 7-12-96			
DIMENSIONS: mm [INCHES]		CHK R. SWING 7-12-96			
TOLERANCES UNLESS OTHERWISE SPECIFIED:		APVD A. BEDDICK 7-12-96	NAME HOUSING, CAP MRII 12 POSITION		
0 PLC ± -		PRODUCT SPEC	SIZE	CAGE CODE	DRAWING NO
1 PLC ± -		APPLICATION SPEC	A2	00779	C-640512
2 PLC ± 0.13[.005]		WEIGHT	RESTRICTED TO		
3 PLC ± -		MATERIAL	-		
4 PLC ± -		FINISH	-		
ANGLES ± 0° 30'		CUSTOMER DRAWING	SCALE	SHEET	REV
MATERIAL			4:1	1 of 1	E