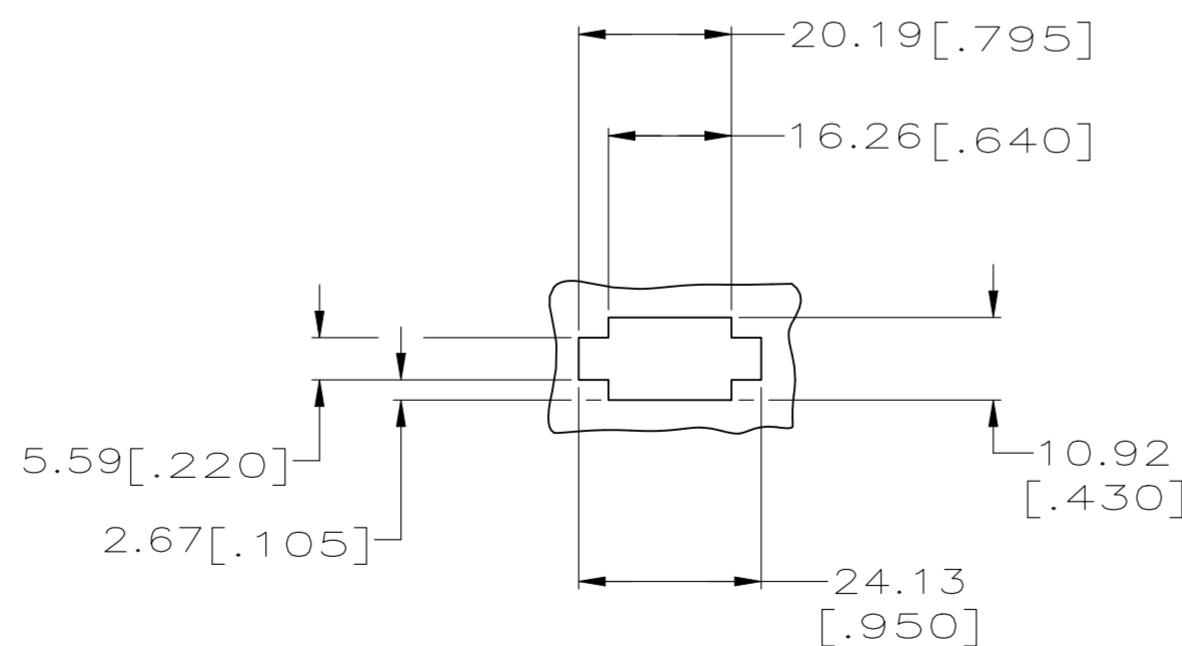
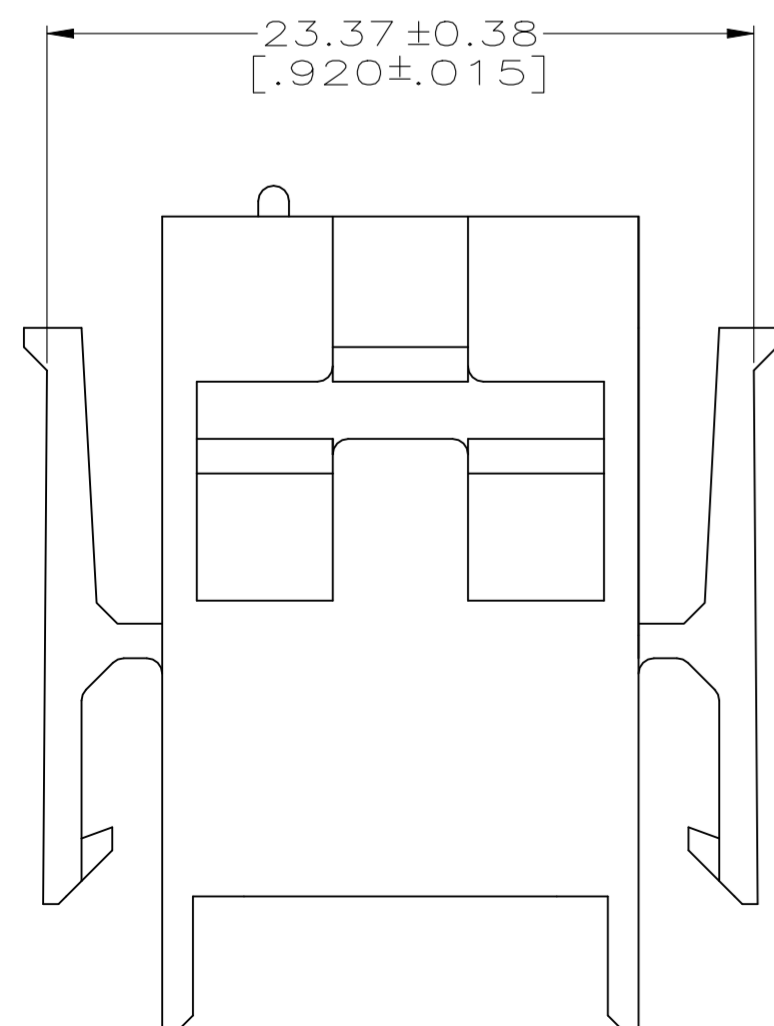
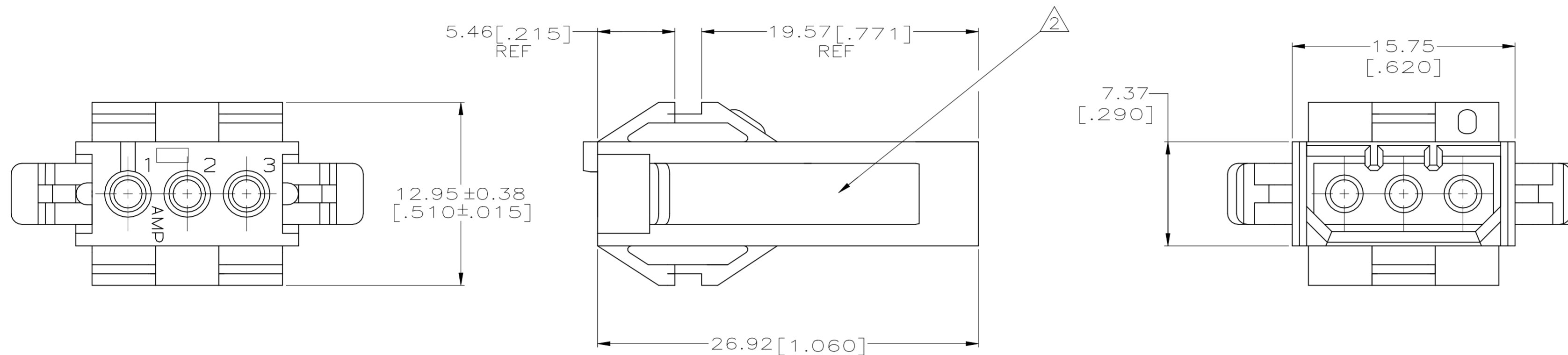
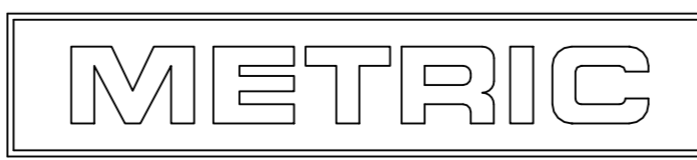


REVISIONS					
P	LTR	DESCRIPTION	DATE	DWN	APVD
E		REVISED PER ECO-21-006864	10AUG2021	RK	MZ

- 1. MATES WITH HOUSING 640518.
- 2. UL LOGO AND CSA LOGO TO APPEAR ON EITHER LATCH SURFACE PER AMP SPEC 202-20, I.D. NO. 1-18838-3 AND 1-18839-3. FROST BACKGROUND OPTIONAL.
- 3. DIMENSIONS IN BRACKETS ARE IN INCHES.
- 4. HOUSING MATERIAL: PA66, BLACK, UL 94 V-0 RATED



RECOMMENDED CUT OUT
FOR 1.73 [.068] MAX THICK PANEL
SCALE 1:1



1-640508-0
PART NUMBER

THIS DRAWING IS A CONTROLLED DOCUMENT.		DWN R. VESTAL 7-12-96			
DIMENSIONS: mm [INCHES]		CHK R. SWING 7-12-96			
TOLERANCES UNLESS OTHERWISE SPECIFIED:		APVD A. BEDDICK 7-12-96	NAME HOUSING, CAP MRII 3 POSITION		
0 PLC ± -		PRODUCT SPEC	SIZE A2	CAGE CODE 00779	DRAWING NO C-640508
1 PLC ± -		APPLICATION SPEC	RESTRICTED TO	-	
2 PLC ± 0.13 [.005]		WEIGHT	SCALE 4:1 SHEET 1 OF 1 REV E		
3 PLC ± -		CUSTOMER DRAWING			
4 PLC ± -					
ANGLES ± 0° 30'					
FINISH					
MATERIAL					
4					