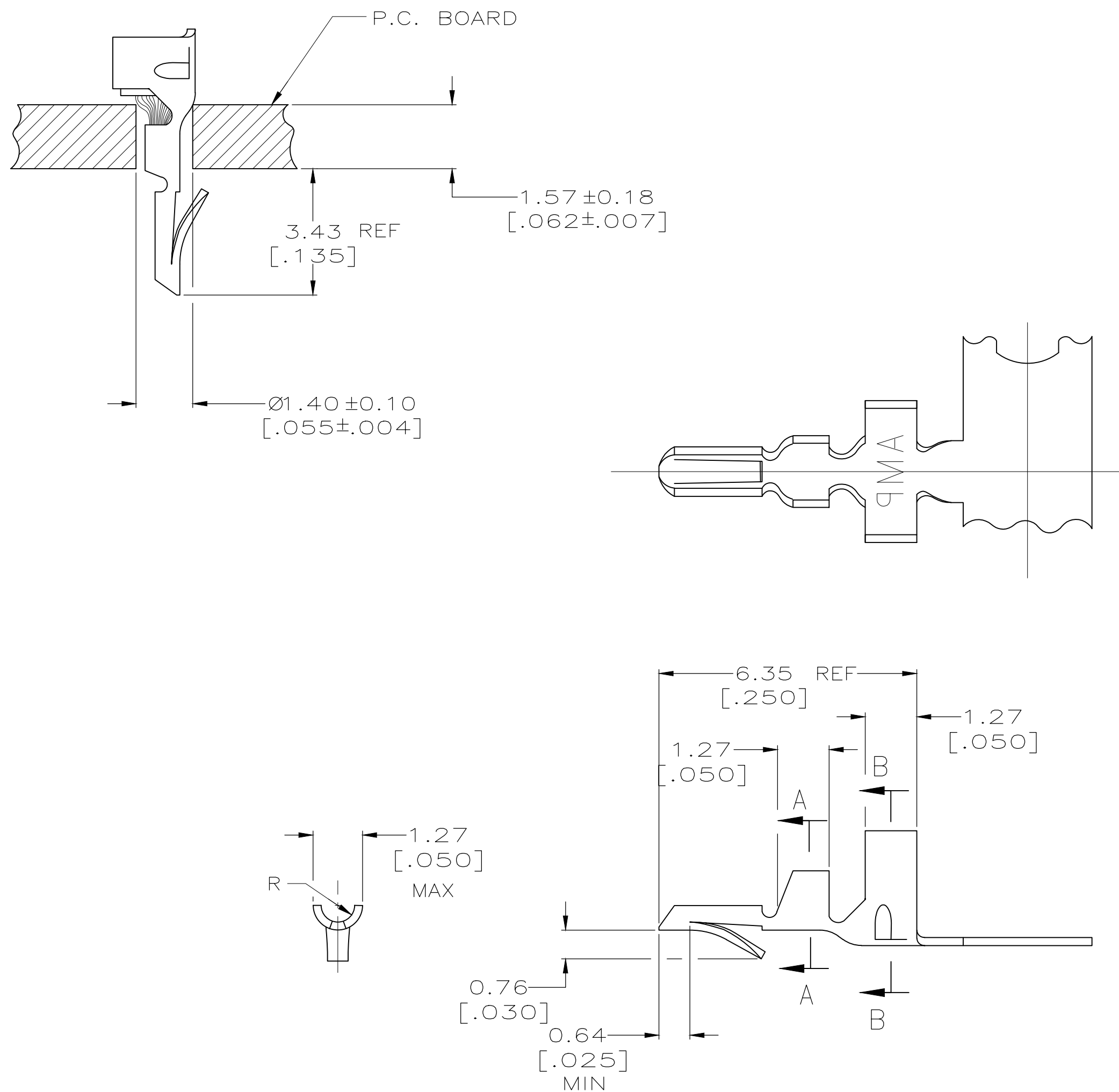
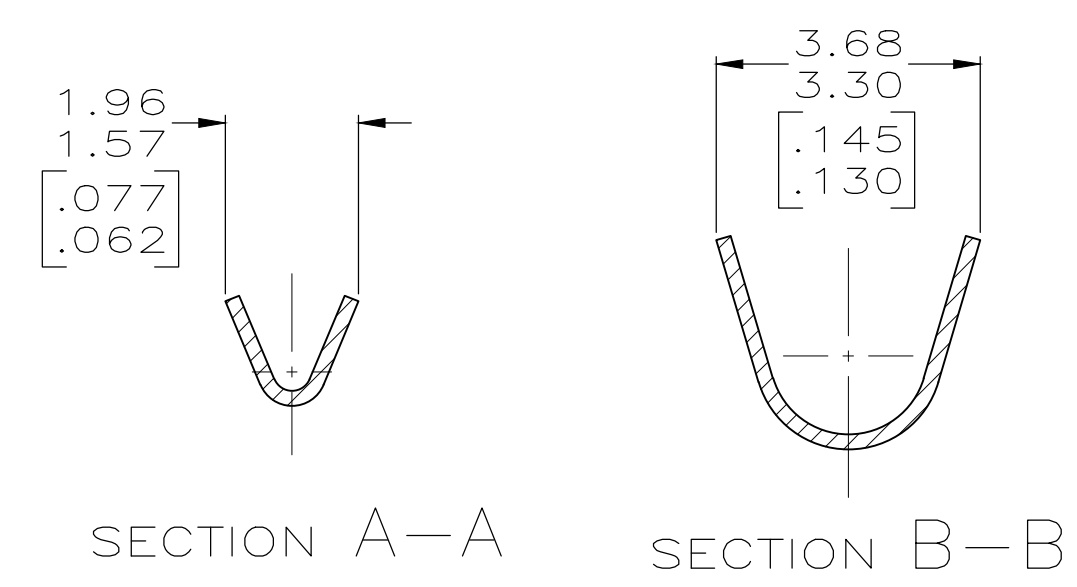


THIS DRAWING IS UNPUBLISHED. RELEASED FOR PUBLICATION  
 © COPYRIGHT - By - ALL RIGHTS RESERVED.

REVISIONS				
P	LTR	DESCRIPTION	DATE	APVD
N3		REVISED PER ECR-19-008948	13MAY20	J.P D.Z



- PARTS COMPLY WITH AMP SOLDERABILITY SPEC 109-11-3.
- PARTS CAPABLE OF BEING APPLIED BY AMPOMATOR.
- WIRE RANGE: 0.12-0.4mm<sup>2</sup> (26-22 AWG).
- INSULATION RANGE: 1.52-2.54 [.060-.100] DIA
- △ 0.00508 [.000200] MIN BRIGHT TIN-LEAD.
- DIMENSIONS IN BRACKETS ARE IN INCHES.
- △ 0.00508 [.000200] MIN BRIGHT TIN.



**METRIC**

SUPERSEDED BY 3-640108-1	△	0.20[.008] PHOS BRONZE	3-640108-1
	△	0.20[.008] PHOS BRONZE	640108-1
	FINISH	MATERIAL	PART NO.

THIS DRAWING IS A CONTROLLED DOCUMENT.		DWN S. CARPENTER 21AUG2003	<b>STE</b> TE Connectivity	
DIMENSIONS: INCHES		CHK J. ELLIS 21AUG2003		
TOLERANCES UNLESS OTHERWISE SPECIFIED:		APVD J. ELLIS 21AUG2003	NAME MINI AMP-IN	
0 PLC ±		PRODUCT SPEC	SIZE CAGE CODE DRAWING NO	
1 PLC ±		APPLICATION SPEC	RESTRICTED TO	
2 PLC ± 0.13 [.005]		114-1016	A2 00779 C-640108	
3 PLC ±		WEIGHT 0.000000	SCALE 10:1 SHEET 1 OF 1	
4 PLC ±		CUSTOMER DRAWING	REV N3	
ANGLES ±				
FINISH				
SEE TABLE				
SEE TABLE				