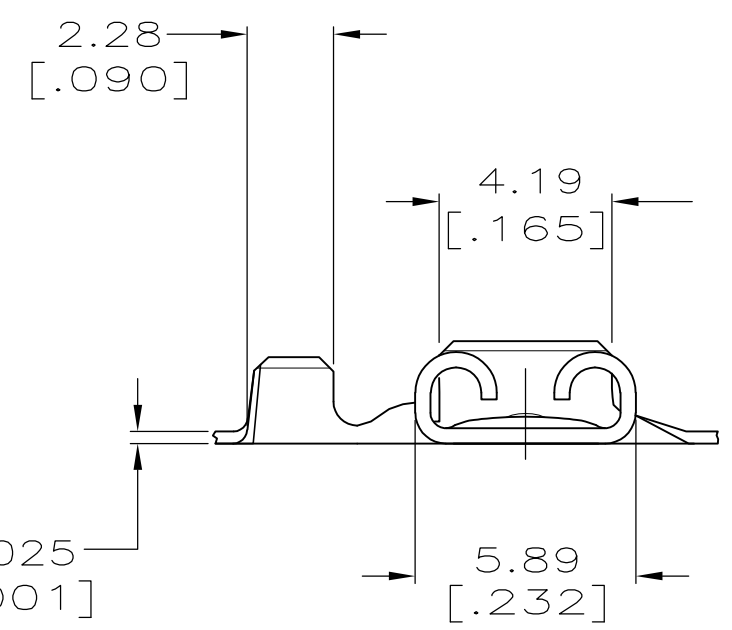
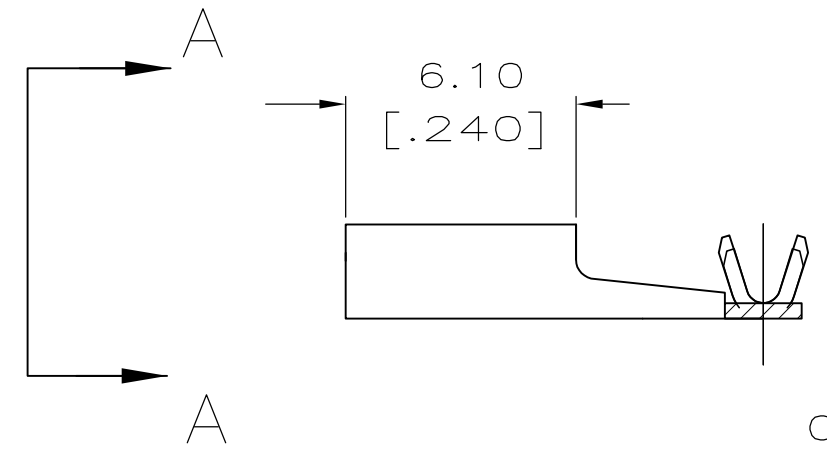
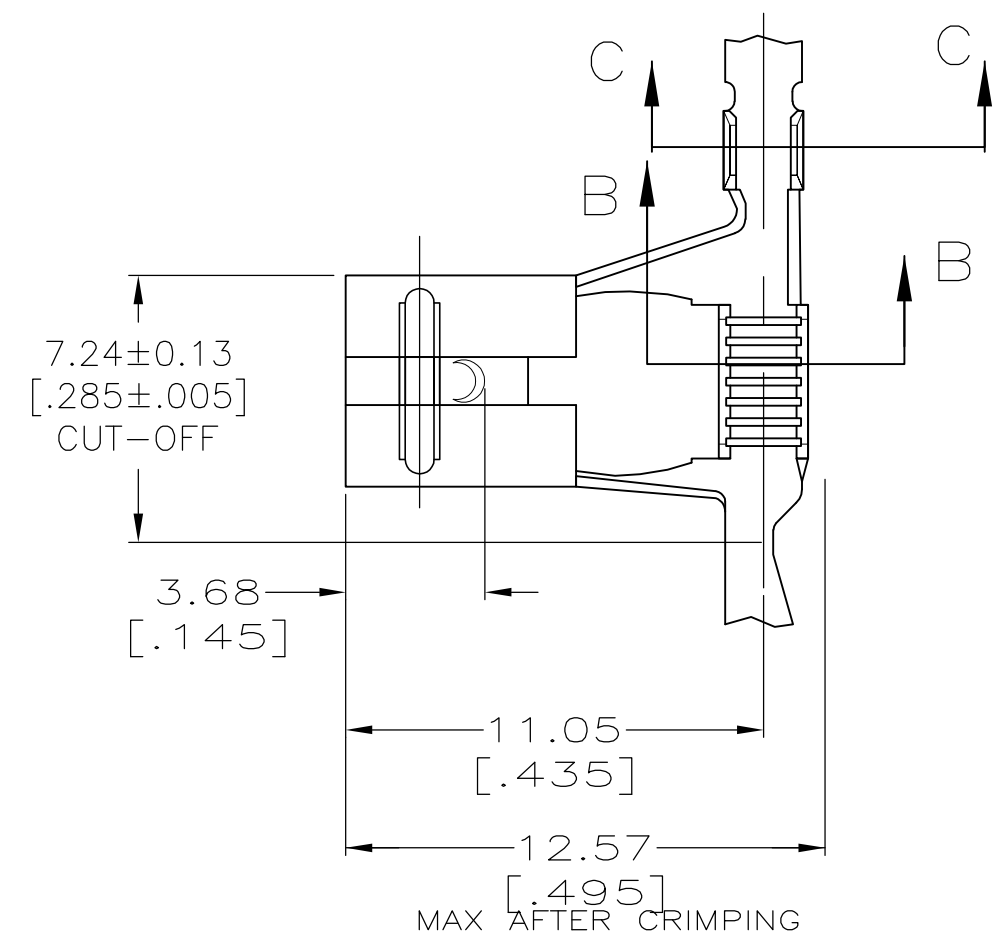
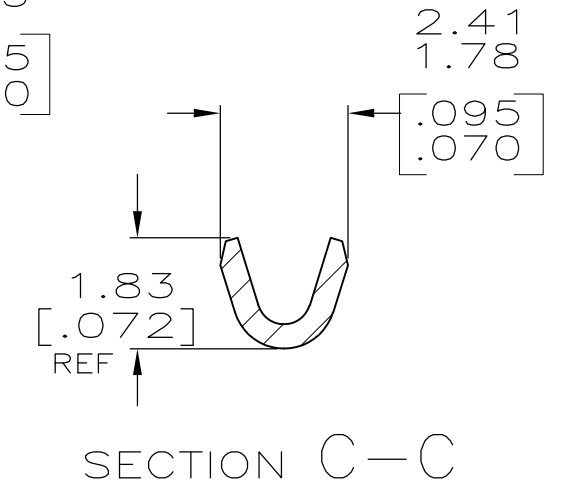
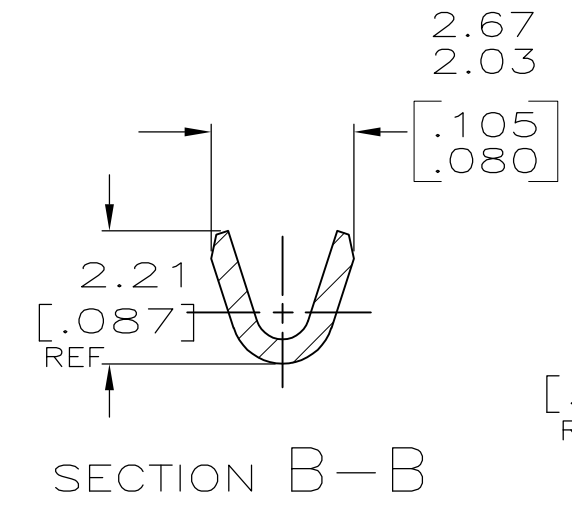


THIS DRAWING IS UNPUBLISHED. RELEASED FOR PUBLICATION  
 © COPYRIGHT - By TYCO ELECTRONICS CORPORATION. ALL RIGHTS RESERVED.

LOC	DIST	REVISIONS			
P	LTR	DESCRIPTION	DATE	DWN	APVD
AF	50	J	REVISE PER ECR-13-013738	15FEB2014	GRZ JL



- 1 CONTINUOUS STRIP ON REELS.
- 2 ACCEPTS MAGNET WIRE RANGES 500-1200 CMA.
- 3 MATING TAB THK TO BE 0.51±0.025 [.020±.001].
- △4 0.002032 [.000080] MIN TIN



VIEW A-A

63942-1  
PART NO.

THIS DRAWING IS A CONTROLLED DOCUMENT.		DWN	JR RUTH	9/30/96	TE Connectivity RECEPTACLE, FASTON, FLAG, AMPLIVAR, 4.75 [.187] SERIES					
DIMENSIONS: mm		CHK	MS FEHER	9/30/96				NAME		
TOLERANCES UNLESS OTHERWISE SPECIFIED:		APVD	P DESANTIS	9/30/96				SIZE		
0 PLC ± - 1 PLC ± - 2 PLC ± 0.25 [.010] 3 PLC ± - 4 PLC ± - ANGLES ± -		PRODUCT SPEC	CAGE CODE					DRAWING NO	RESTRICTED TO	
MATERIAL		BRASS		FINISH	- △4		WEIGHT	-		
CUSTOMER DRAWING					SCALE	5:1		SHEET	1 OF 1	
					REV	J				