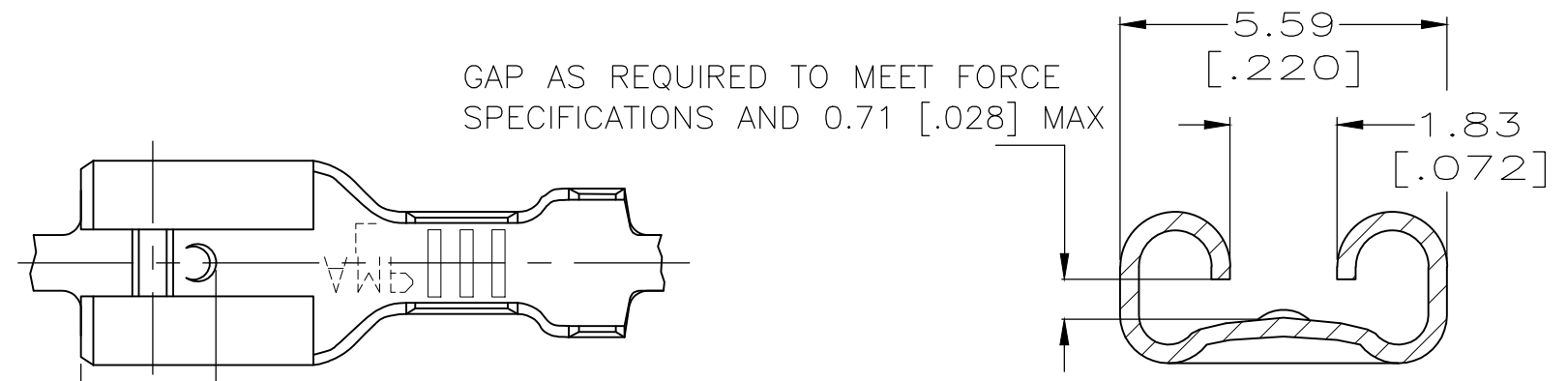


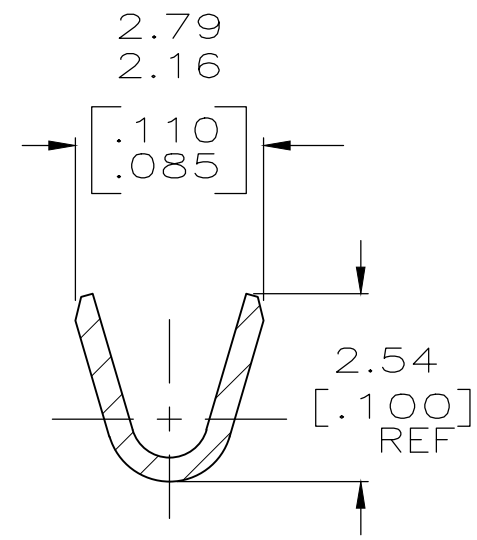
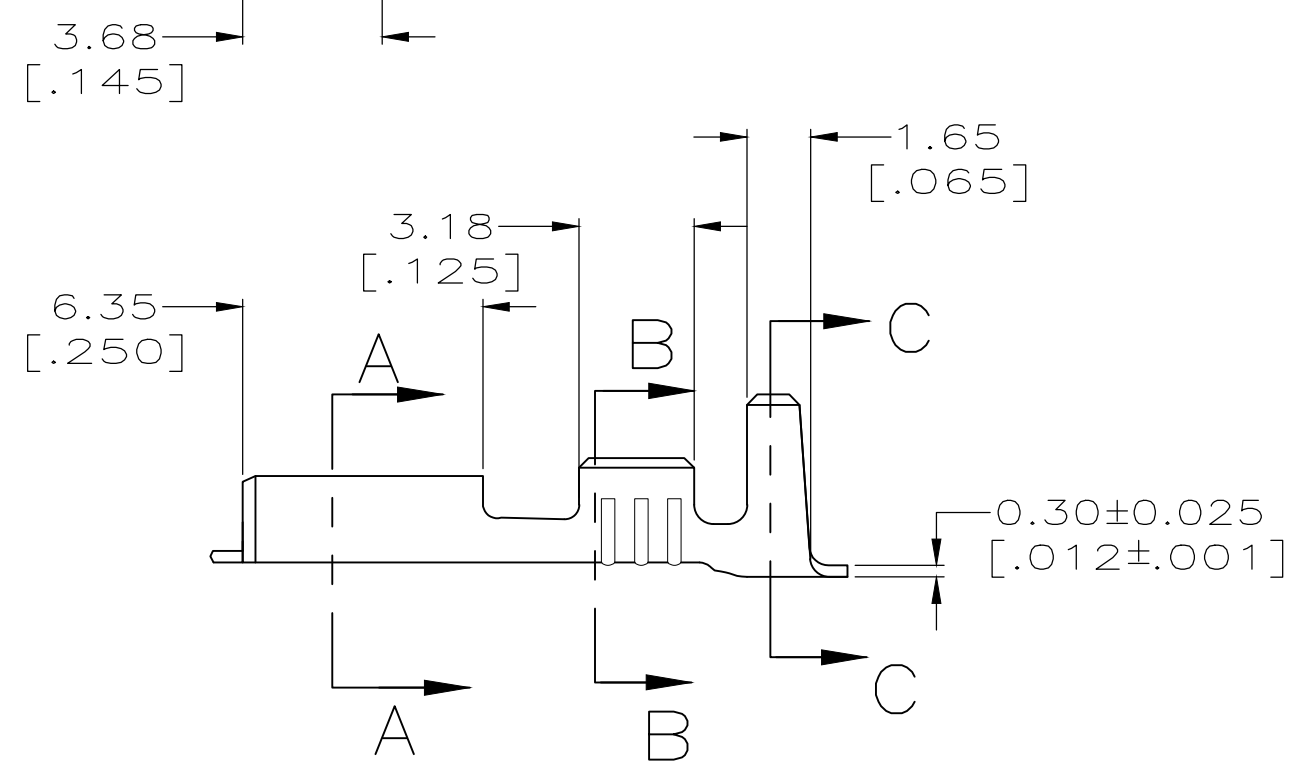
THIS DRAWING IS UNPUBLISHED. RELEASED FOR PUBLICATION  
 © COPYRIGHT - By - ALL RIGHTS RESERVED.

LOC	DIST	REVISIONS					
AF	50	P	LTR	DESCRIPTION	DATE	DWN	APVD
			C2	REVISED PER ECR-20-009164	20JULY2020	MK	DH

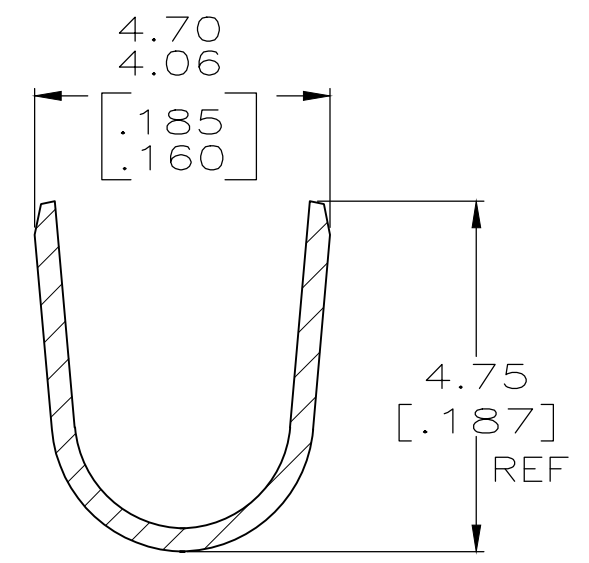
- CONTINUOUS STRIP ON REELS.
- WIRE SIZE [#22-#18] AWG.
- INSULATION RANGE TO BE 2.29-3.81 [.090-.150] DIA.
- MATING TAB THK IS 0.84-0.76 [.033-.030]



SECTION A-A  
SCALE 8:1



SECTION B-B  
SCALE 10:1



SECTION C-C  
SCALE 10:1

PLAIN	63931-2
TIN	63931-1
$\triangle 5$ FINISH	PART NO.

THIS DRAWING IS A CONTROLLED DOCUMENT.		DWN	JR RUTH	9/16/96	<b>STE</b> TE Connectivity													
DIMENSIONS: mm [INCHES]		CHK	MS FEHER	9/16/96														
TOLERANCES UNLESS OTHERWISE SPECIFIED:		APVD	P DESANTIS	9/16/96														
<table border="0"> <tr><td>0 PLC</td><td>± -</td></tr> <tr><td>1 PLC</td><td>± -</td></tr> <tr><td>2 PLC</td><td>± 0.25 [.010]</td></tr> <tr><td>3 PLC</td><td>± -</td></tr> <tr><td>4 PLC</td><td>± -</td></tr> <tr><td>ANGLES</td><td>± -</td></tr> </table>		0 PLC	± -	1 PLC		± -	2 PLC	± 0.25 [.010]	3 PLC	± -	4 PLC	± -	ANGLES	± -	PRODUCT SPEC	-		NAME
0 PLC	± -																	
1 PLC	± -																	
2 PLC	± 0.25 [.010]																	
3 PLC	± -																	
4 PLC	± -																	
ANGLES	± -																	
MATERIAL	BRASS	FINISH	$\triangle 5$	APPLICATION SPEC	114-2036	SIZE	A3	CAGE CODE	00779	DRAWING NO	C-63931	RESTRICTED TO	-					
CUSTOMER DRAWING						SCALE	5:1	SHEET	1 OF 1	REV	C2							