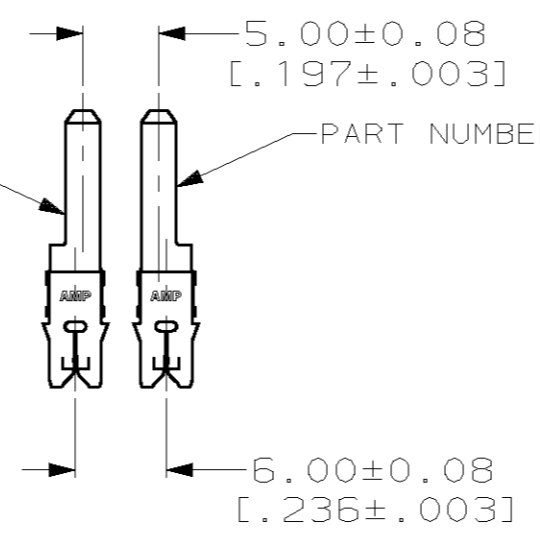
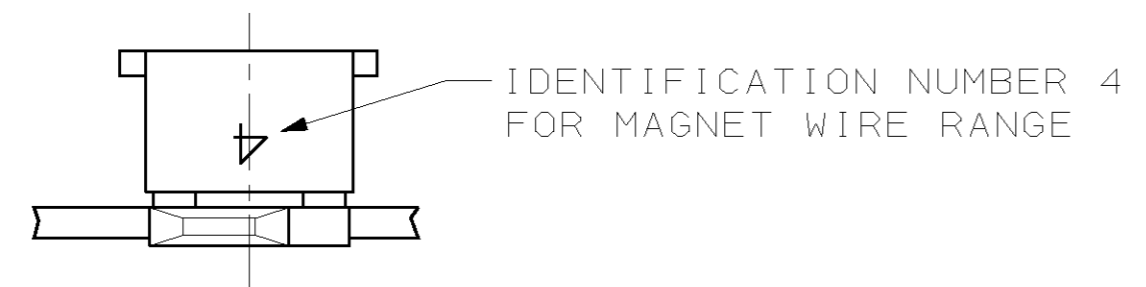


THIS DRAWING IS UNPUBLISHED. RELEASED FOR PUBLICATION .19  
 © COPYRIGHT 19 BY AMP INCORPORATED. ALL RIGHTS RESERVED.

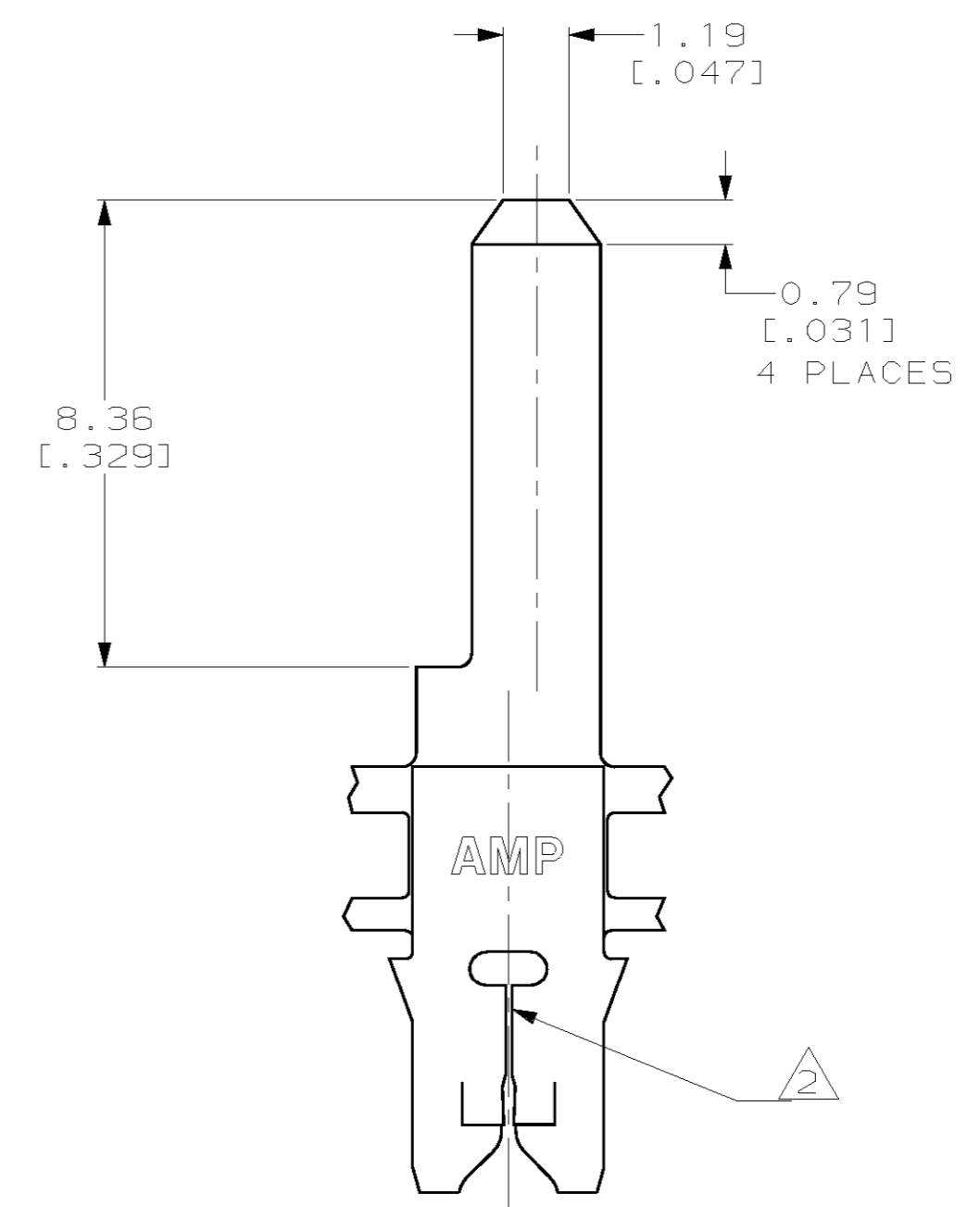
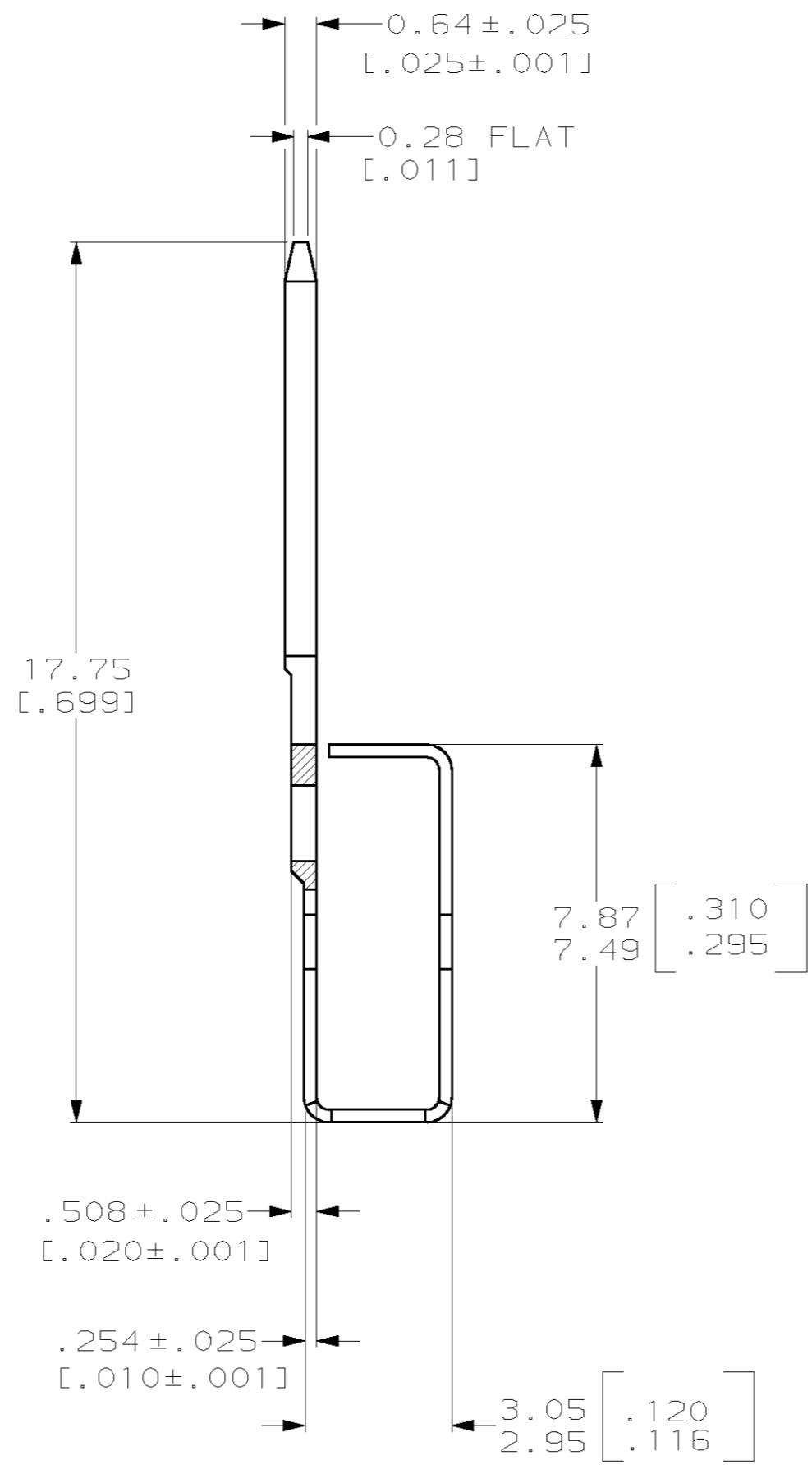
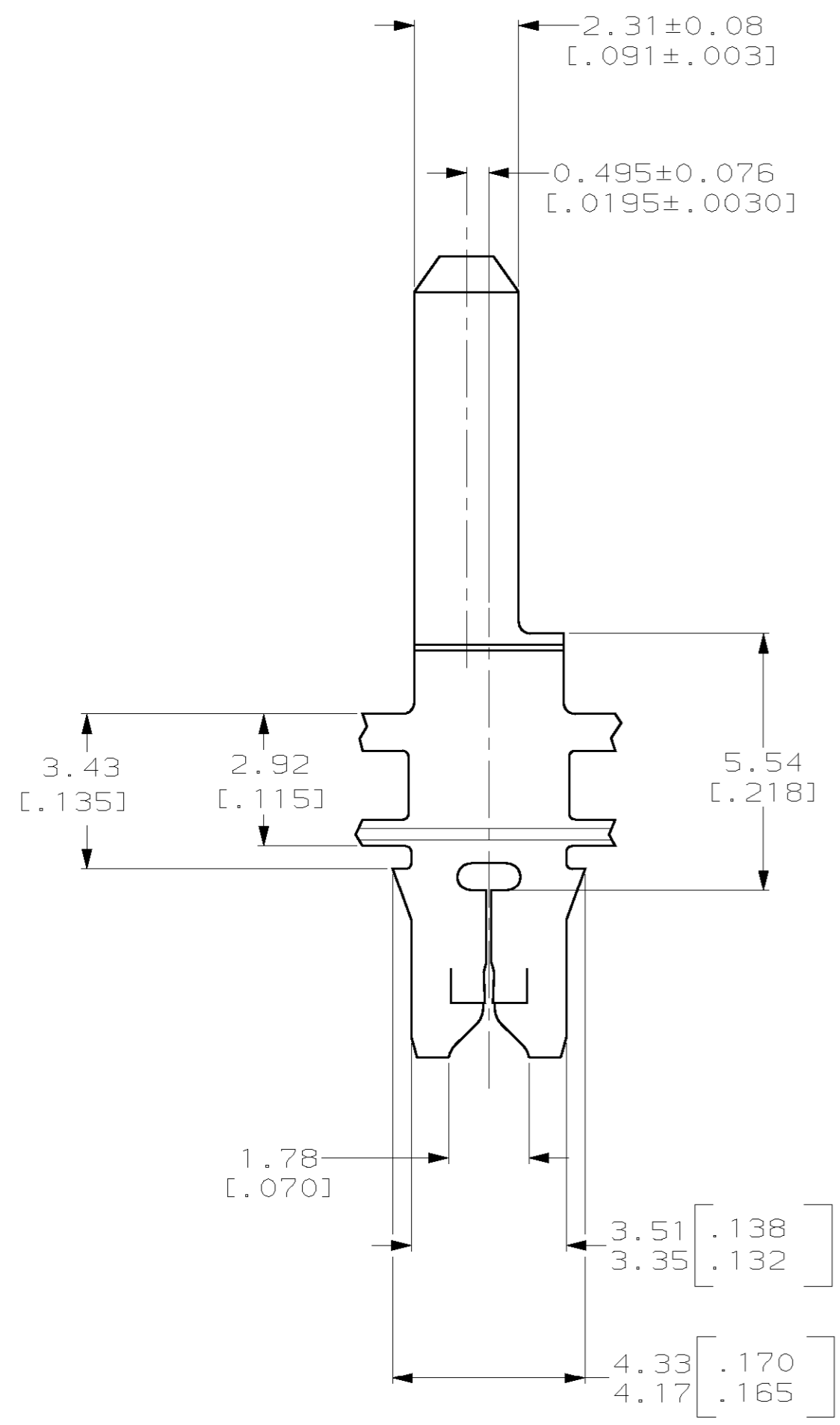
| LOC |     | DIST                     |         | REVISIONS |    |  |  |
|-----|-----|--------------------------|---------|-----------|----|--|--|
| P   | LTR | DATE                     | DWN     | APVD      |    |  |  |
| AF  | 50  |                          |         |           |    |  |  |
| B   |     | REVISED PER 0G3A-0227-00 | 03APR00 | MF        | KR |  |  |

PART NUMBER 63927-1      PART NUMBER 63926-1



INSERTED DIMENSIONS  
SCALE 2:1

- 1 CONTINUOUS STRIP ON REELS WITH TERMINALS LOCATED ON 5.59±0.08 [0.220±.003] CENTERS
- 2 SLOT TERMINATES EITHER A SINGLE OR DOUBLE MAGNET WIRE OF THE SAME TYPE AND SIZE, COPPER RANGE: 0.18-0.23mm [#33-#31] AWG
- 3 SPECIAL PACKAGE MARKINGS- GREEN COLOR CODE TAG NEXT TO REEL TAG



3 63927-1  
PART NUMBER

|  |  |                                      |   |                    |
|--|--|--------------------------------------|---|--------------------|
| THIS DRAWING IS A CONTROLLED DOCUMENT.   |  | DWN<br>MICHAEL S. FEHER<br>19AUG96   | AMP Incorporated<br>Harrisburg, PA 17105-3608 |                    |
| DIMENSIONS:<br>mm [INCHES]   |  | CHK<br>RICHARD GRZYBOWSKI<br>20AUG96 | AMP   |                    |
| TOLERANCES UNLESS OTHERWISE SPECIFIED:   |  | APVD<br>NELSON E. NEFF<br>26AUG96    | TAB, 2.31 [0.091],<br>MAG-MATE™<br>RIGHT HAND |                    |
| 0 PLC ±-<br>1 PLC ±-<br>2 PLC ±0.13 [0.005]<br>3 PLC ±-<br>4 PLC ±-<br>ANGLES ±- |  | PRODUCT SPEC<br>108-2012             | SIZE<br>A2                                    | CAGE CODE<br>00779 |
| MATERIAL<br>4M PRE-MILLED BRASS  |  | APPLICATION SPEC<br>114-2046         | DRAWING NO<br>C-63927                         | SCALE<br>8:1       |
| FINISH<br>0.002032 [0.000080] MIN<br>TIN PER MIL-T-10727                         |  | WEIGHT<br>-                          | SHEET<br>1 OF 1                               | REV<br>B           |
|  |  | CUSTOMER DRAWING                     |   |                    |