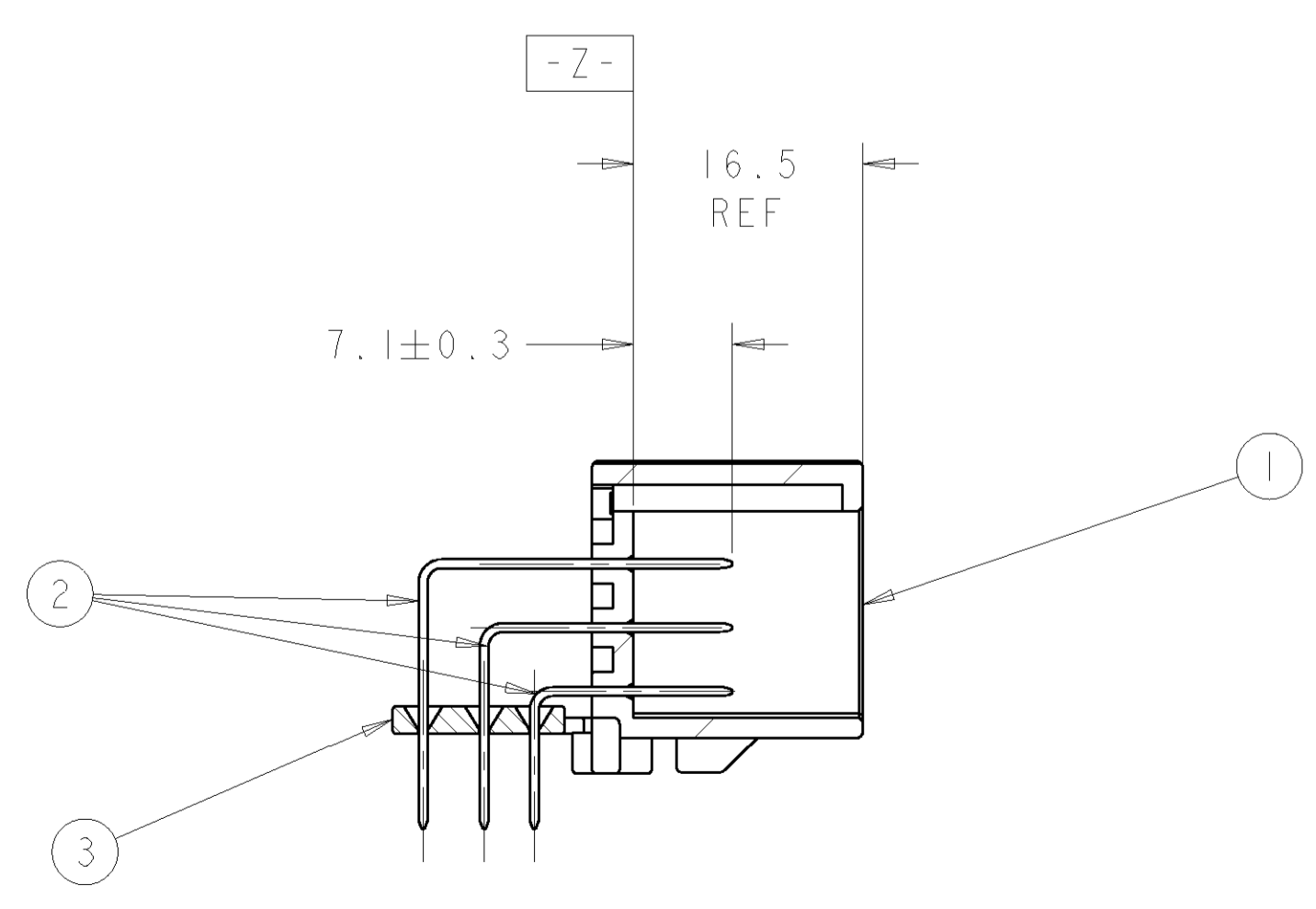
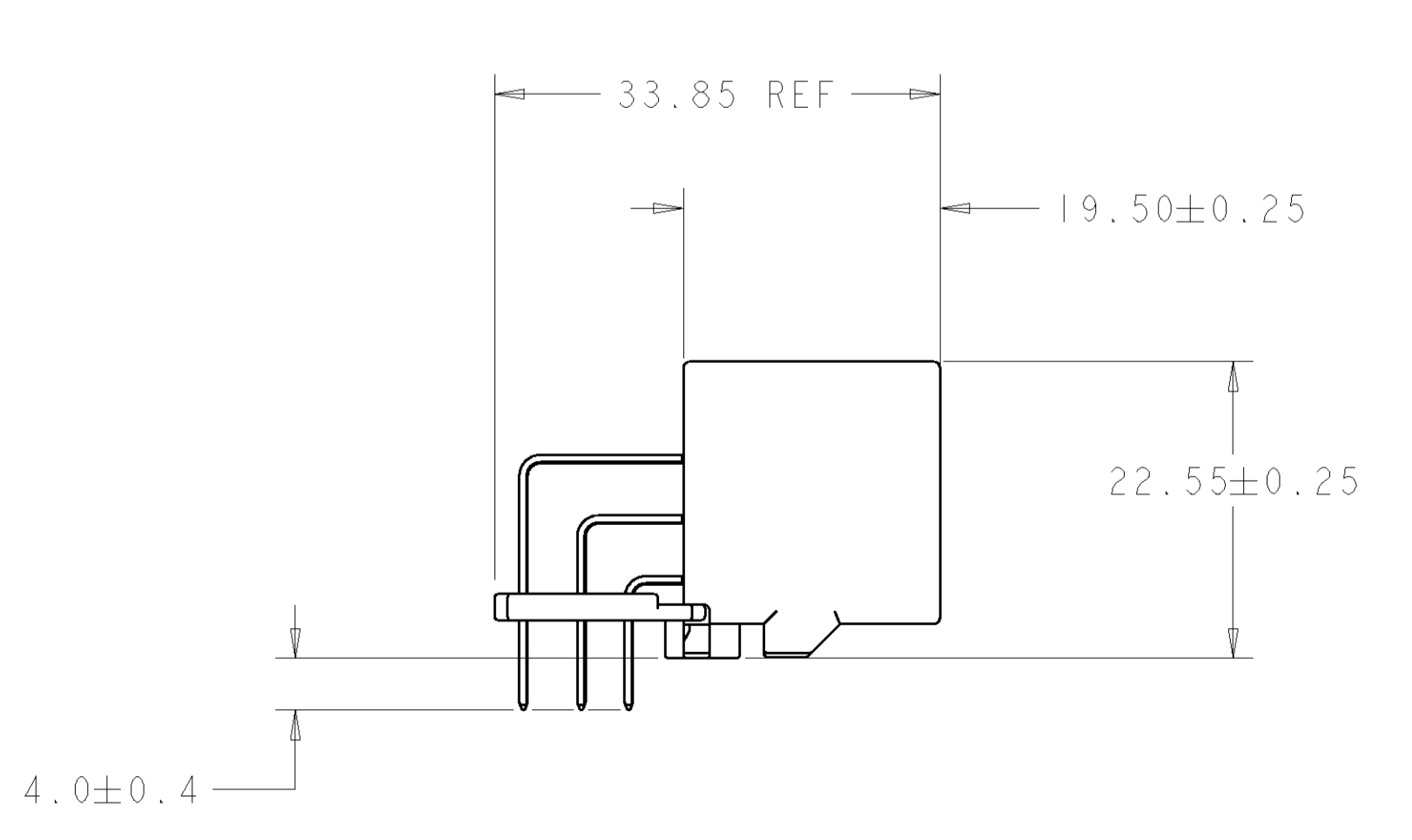
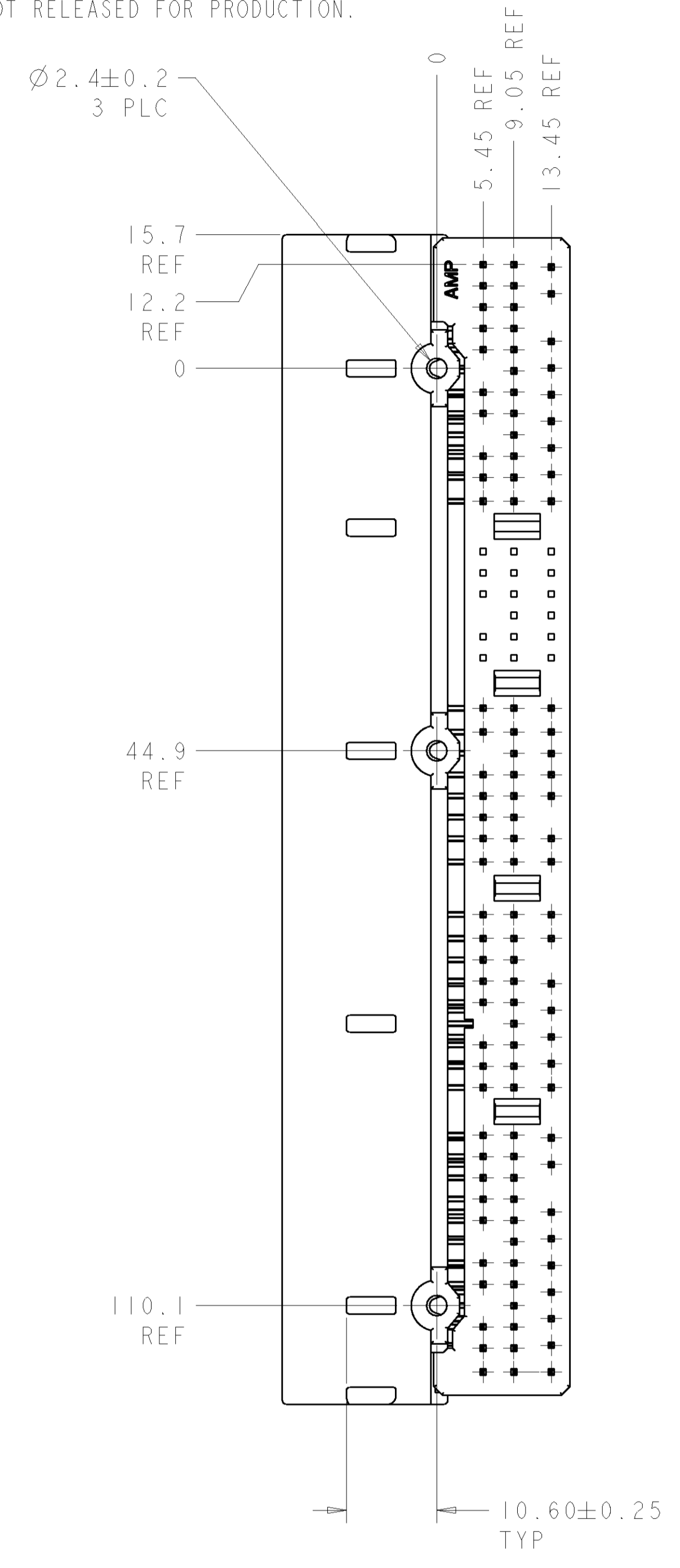
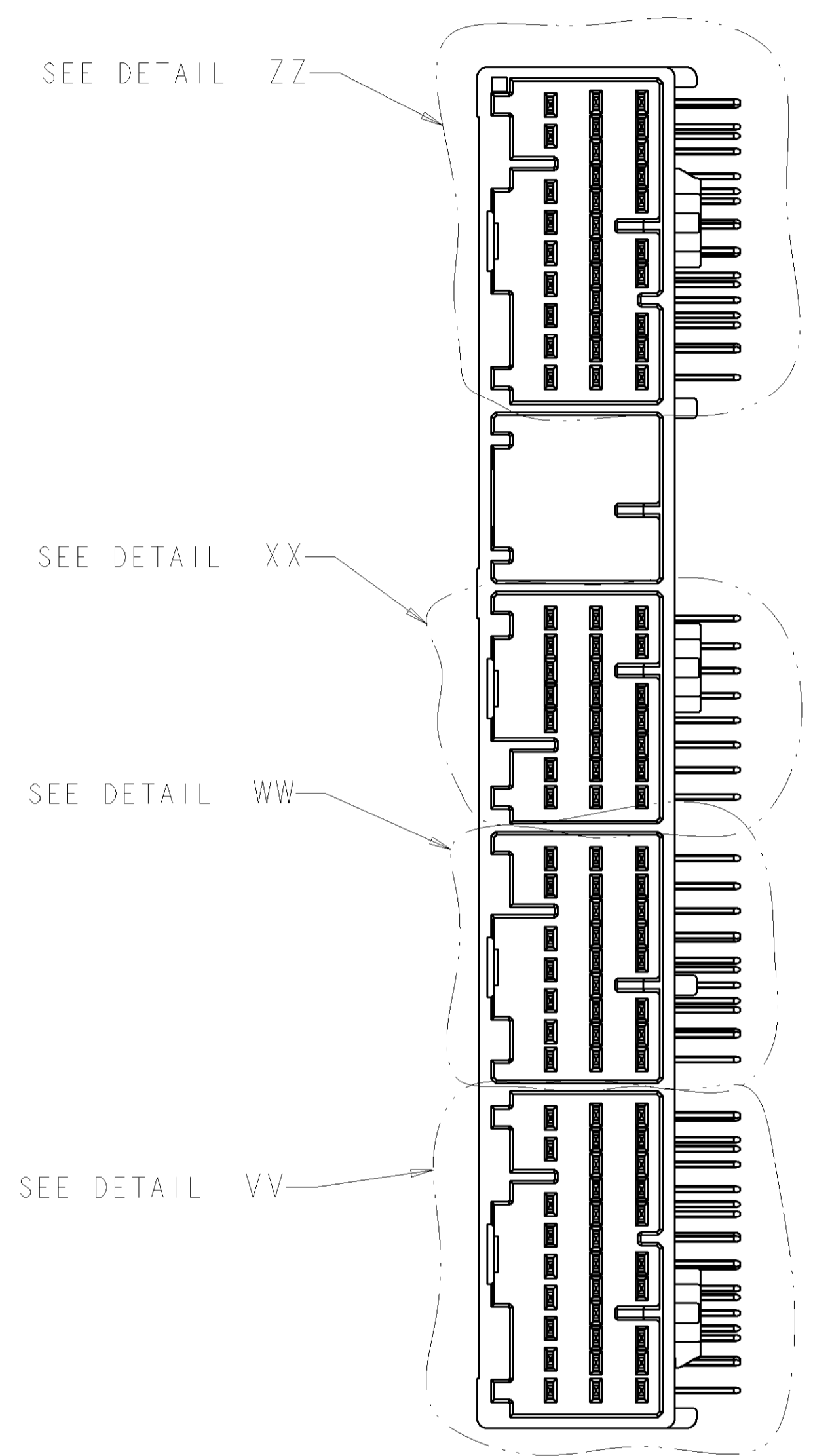
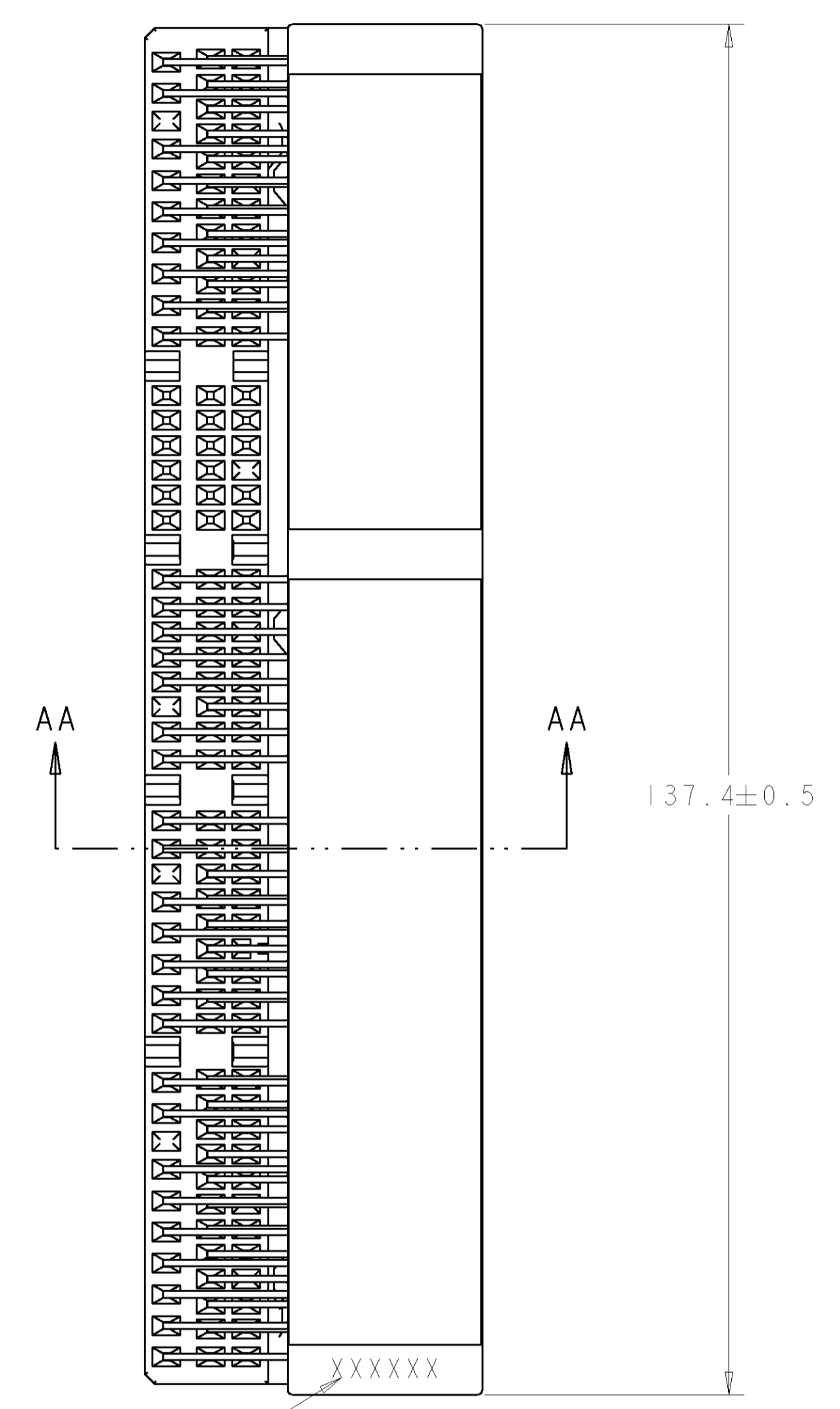


LOC	DIST	REVISIONS			
P	LTR	DESCRIPTION	DATE	DNW	APVD
0		REL PER NPR 20035	18JUL2000	JRB	RAS
A		REV PER ECN 0K80-0228-00	23OCT2000	JM	RAS
B		REV PER EC 0K80-0311-01	14JAN2002	RGV	GEM
C		REV PER EC 0K80-0361-02	25MAR2003	RGV	TJV

- 1. TO BE MEASURED AT 7.5mm FROM **-Z-**
- 2. POWER CIRCUITS 35 PLACES, SEE FIG. 1
- 3. FOR CIRCUIT NUMBERS SEE FIG. 1
- 4. DATE CODE
- 5. TO BE MATED SMOOTHLY WITH PLUG HOUSINGS
 22 POS; 353028
 24 POS; 353029
 31 POS; 1318682, 353826
- 6. RECOMMENDED SCREW: PAN-HEADED, TYPE 2 TAPPING SCREW,
 3.0 DIA X 6.0 LONG MAX. PER JIS B1115, B1122
- 7. FASTENING TORQUE FOR SCREW 0.392Nm MAX
- 8. TO BE DETERMINED BY CUSTOMER.
- 9. PRELIMINARY - NOT RELEASED FOR PRODUCTION.



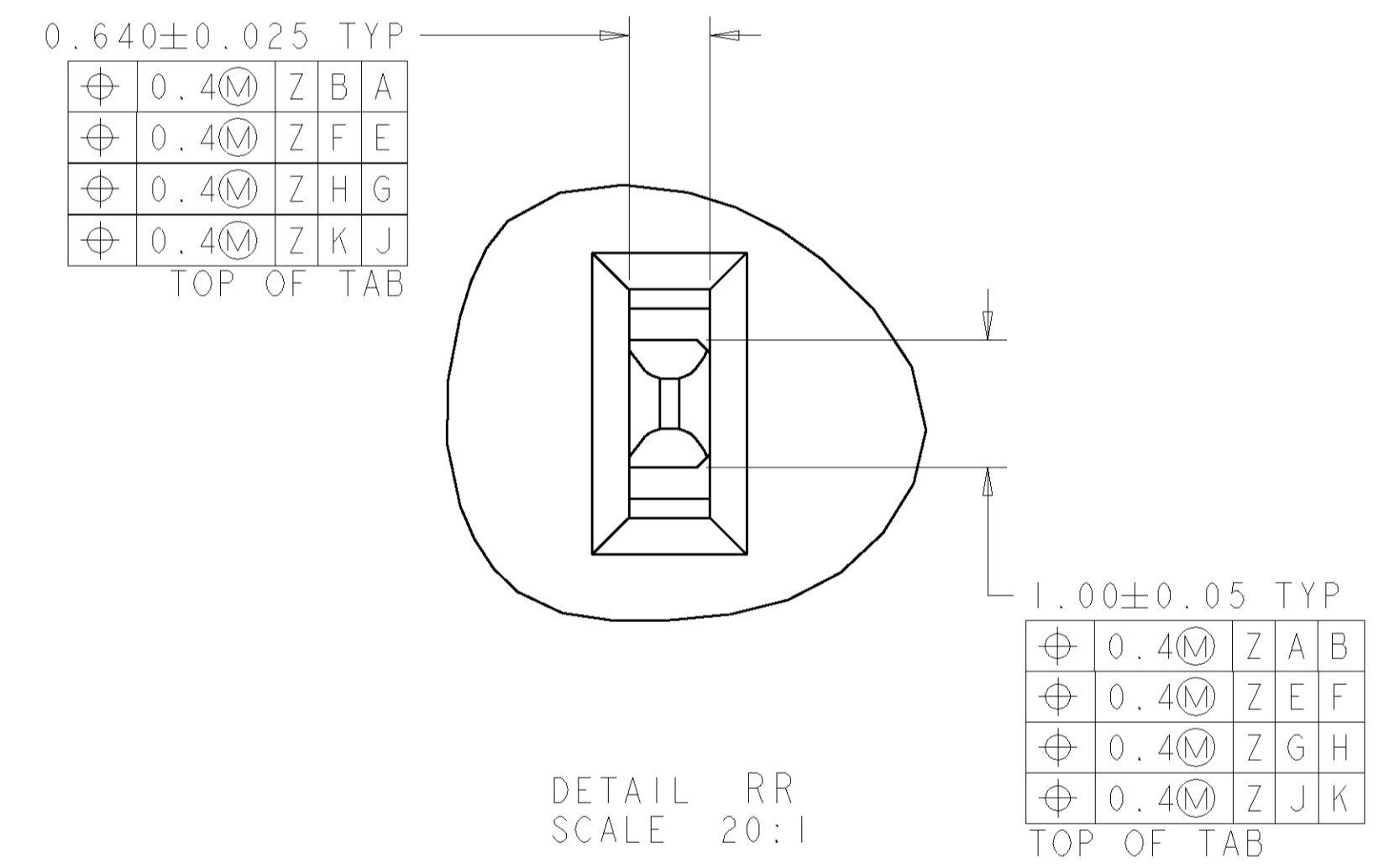
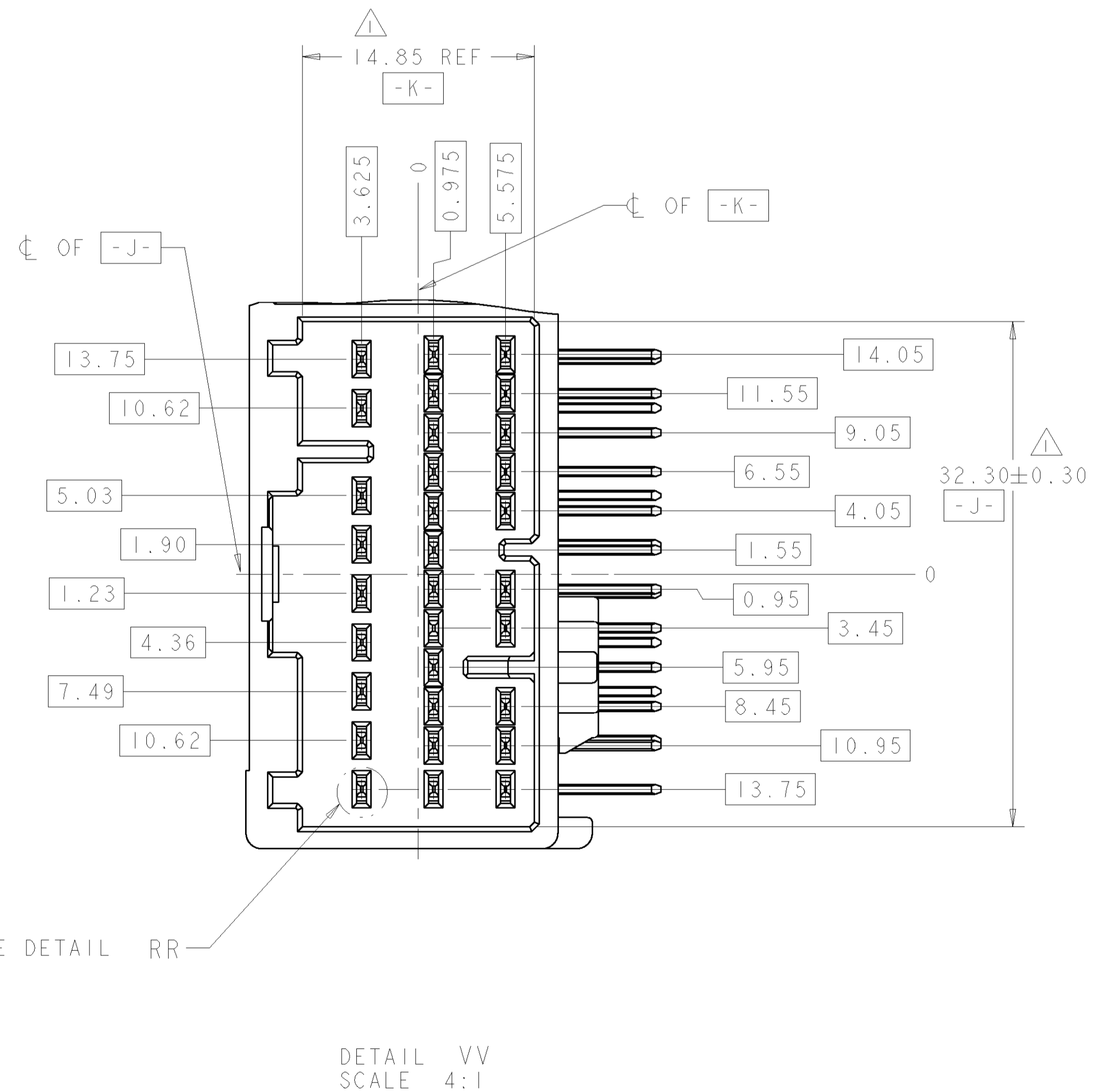
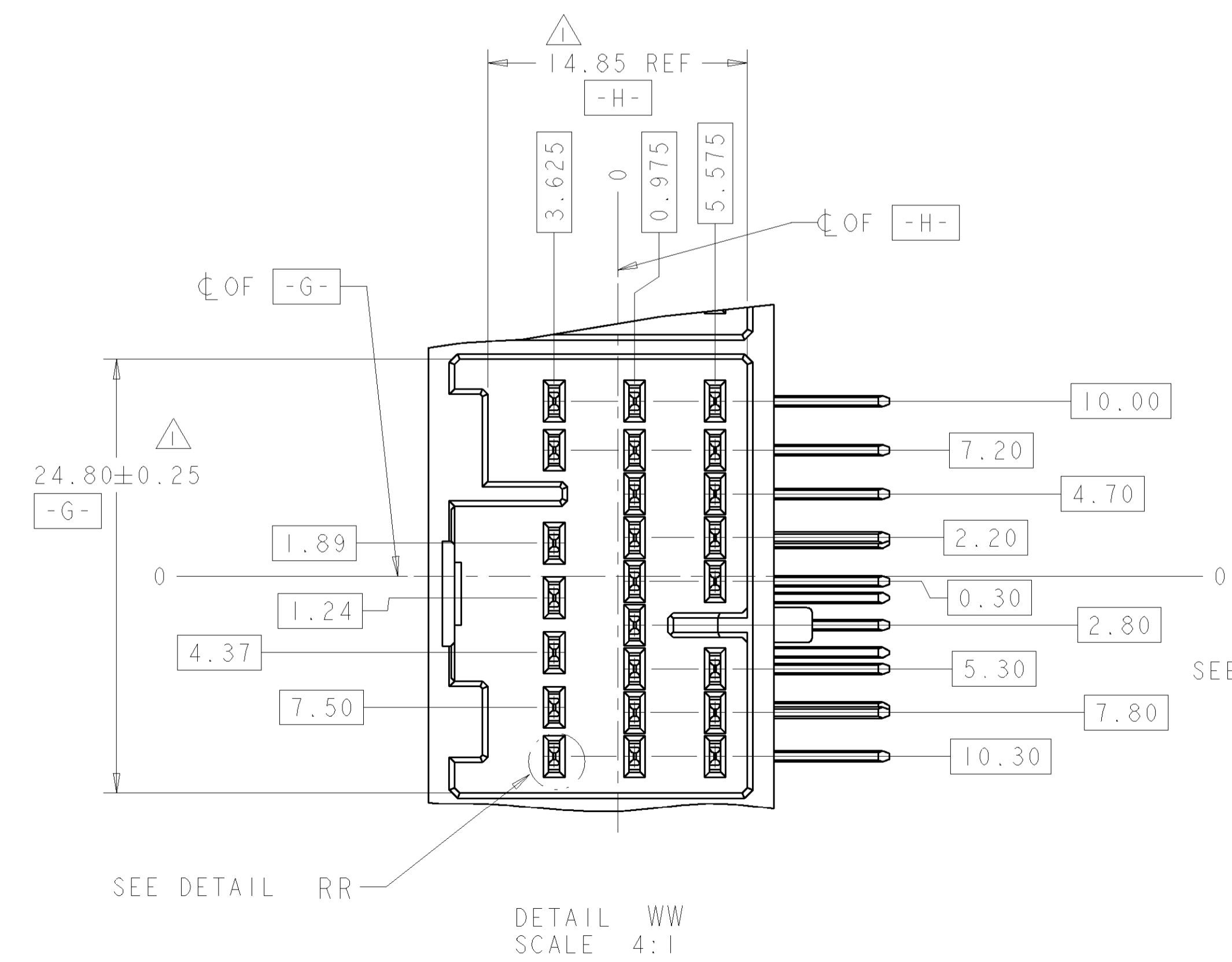
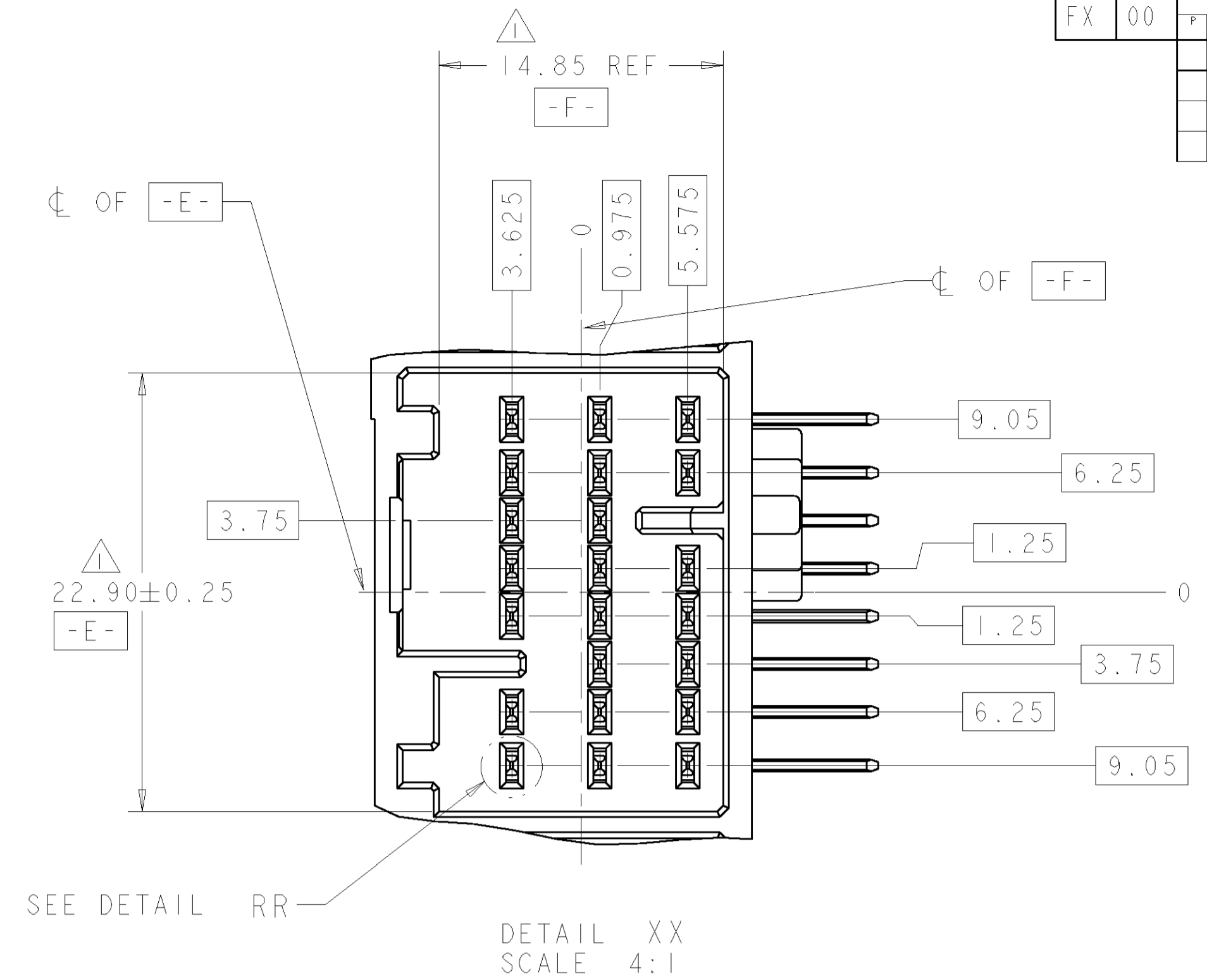
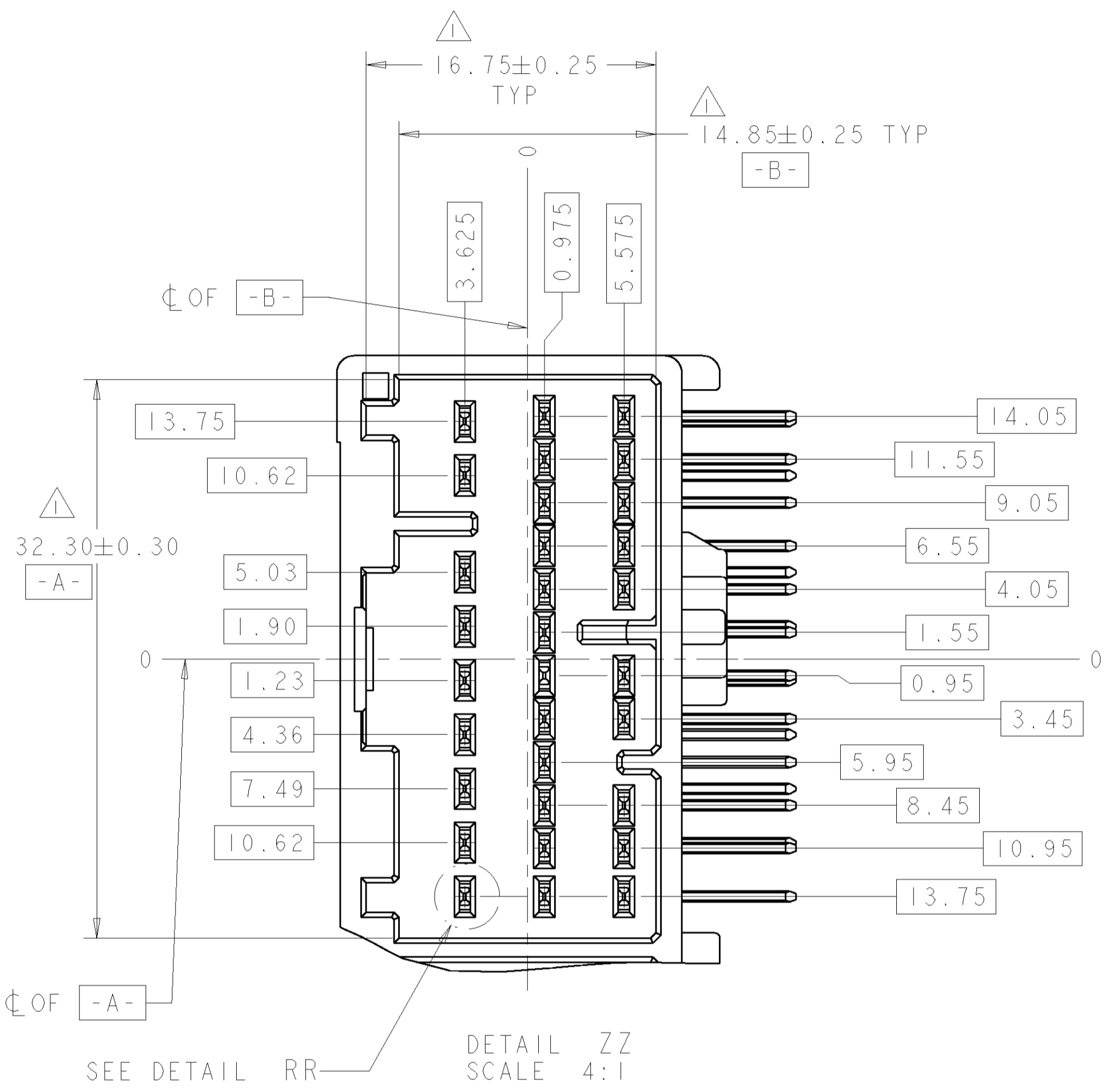
SECTION AA-AA
 SCALE 2:1

-	1	N/A	N/A	RETURNABLE PACKAGING	5
1	-	N/A	N/A	EXPENDABLE PACKAGING	4
1	1	NATURAL	PBT	TINE PLATE	3
108	108	PRE-TIN	COPPER ALLOY	TAB CONTACT	2
1	1	NATURAL	PBT	CAP HOUSING	1
9-2	-1	FINISH/COLOR	MATERIAL	NAME	ITEM NO.

DIMENSIONS:		TOLERANCES UNLESS OTHERWISE SPECIFIED:		DWN: T. PETERSON 24MAY2000		AMP: R. SMITH 24MAY2000		APVD: R. SMITH 24MAY2000		NAME: ASSEMBLY, 108POS HD1111 040 SERIES CAP HOUSING	
mm	0 PLC ±0.30	1 PLC ±0.30	2 PLC ±0.30	3 PLC ±0.30	4 PLC ±0.30	ANGLES ±°	FINISH ±μ"	PRODUCT SPEC: 108-5673	APPLICATION SPEC: 411-5931	WEIGHT: 39.8g	SIZE: A1
MATERIAL: -	FINISH: -	CUSTOMER DRAWING		SCALE: 2/1		SHEET: 1 OF 3		REV: C		RESTRICTED TO: -	

AMP Tyco Electronics
 Harrisburg, PA 17105-3608

LOC	DIST	P	LTR	DESCRIPTION	DATE	DRW	APVD
FX	00	-	-	SEE SHEET 1	-	-	-



DIMENSIONS: mm 		TOLERANCES UNLESS OTHERWISE SPECIFIED: 0 PLC ±0.30 1 PLC ±0.30 2 PLC ±0.30 3 PLC ±0.30 4 PLC ± ANGLES ±°		DWN T. PETERSON 24MAY2000 ENR R. SMITH 24MAY2000 APVD R. SMITH 24MAY2000		AMP Tyco Electronics Harrisburg, PA 17105-3608	
MATERIAL - FINISH -		WEIGHT - CUSTOMER DRAWING		NAME ASSEMBLY, 108POS HD111 040 SERIES CAP HOUSING PRODUCT SPEC - APPLICATION SPEC -		SIZE CAGE CODE DRAWING NO RESTRICTED TO A1 00779 C-638763 -	
				SCALE 2/1 SHEET 2 OF 3 REV C			

REVISONS		DATE	DWN	APVD
FX	00			
DESCRIPTION				
SEE SHEET 1				

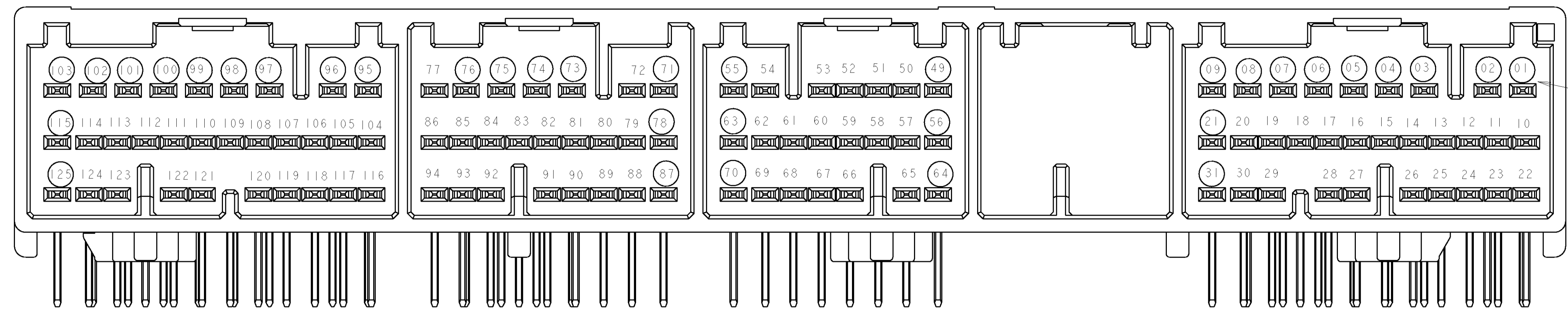
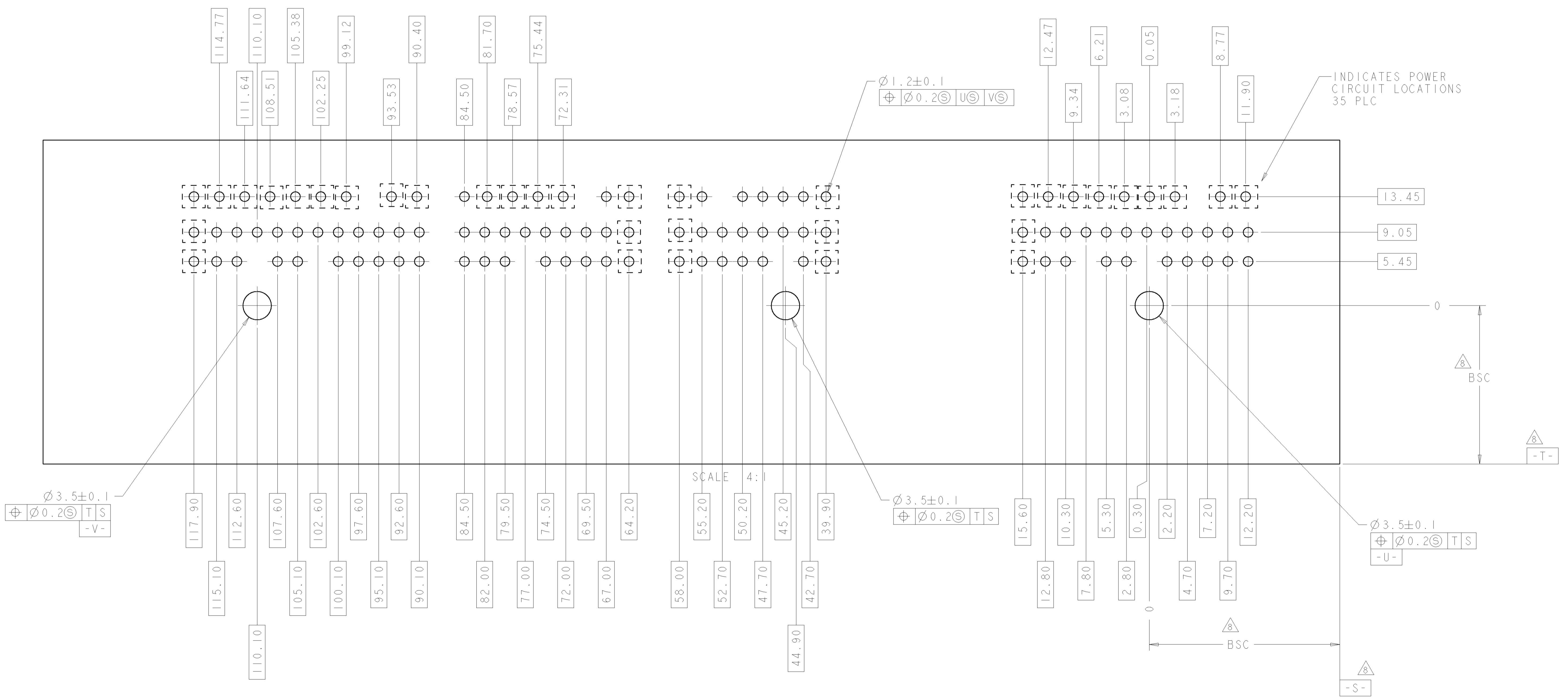


FIGURE 1: CIRCUIT NUMBERS AND POWER CIRCUITS



PC BOARD LAYOUT
 RECOMMENDED THICKNESS: 1.57 MM
 COMPONENT SIDE SHOWN

<small>THIS DRAWING IS UNPUBLISHED. RELEASED FOR PUBLICATION. ALL RIGHTS RESERVED. © 2000 BY TYCO ELECTRONICS CORPORATION.</small>		DWN: T. PETERSON ENR: R. SMITH APVD: R. SMITH	24MAY2000 24MAY2000 24MAY2000
DIMENSIONS: mm TOLERANCES UNLESS OTHERWISE SPECIFIED: 0 PLC ± 0.30 1 PLC ± 0.30 2 PLC ± 0.30 3 PLC ± 0.30 4 PLC ± 0.30 ANGLES: $\pm 0.1^\circ$		NAME: ASSEMBLY, 108POS HD111 040 SERIES CAP HOUSING PRODUCT SPEC: - APPLICATION SPEC: - WEIGHT: - CUSTOMER DRAWING: -	Tyco Electronics Harrisburg, PA 17105-3608 SIZE: A1 CAGE CODE: 00779 DRAWING NO: C=638763 RESTRICTED TO: - SCALE: 2/1 SHEET: 3 OF 3 REV: C