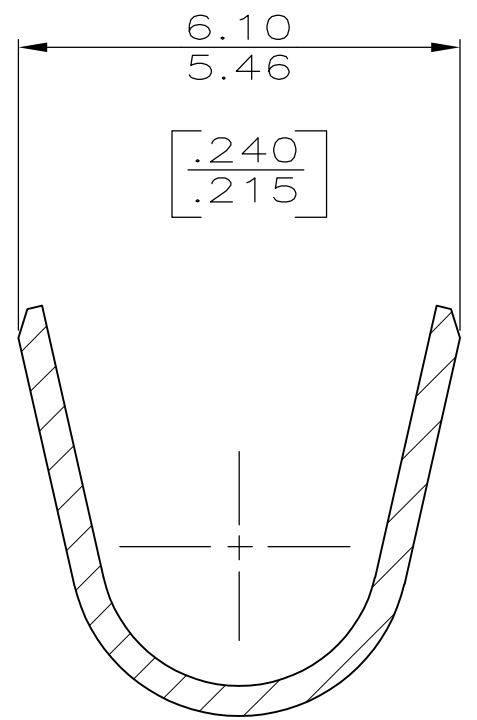
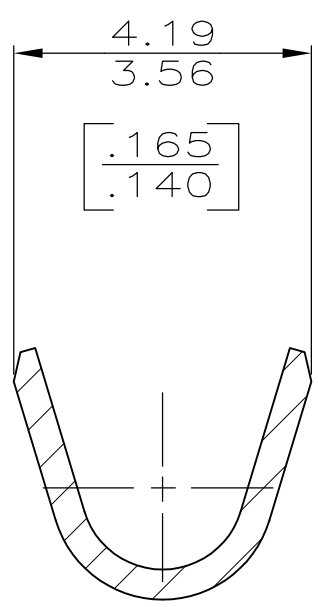
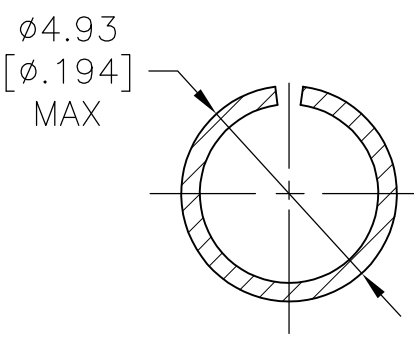
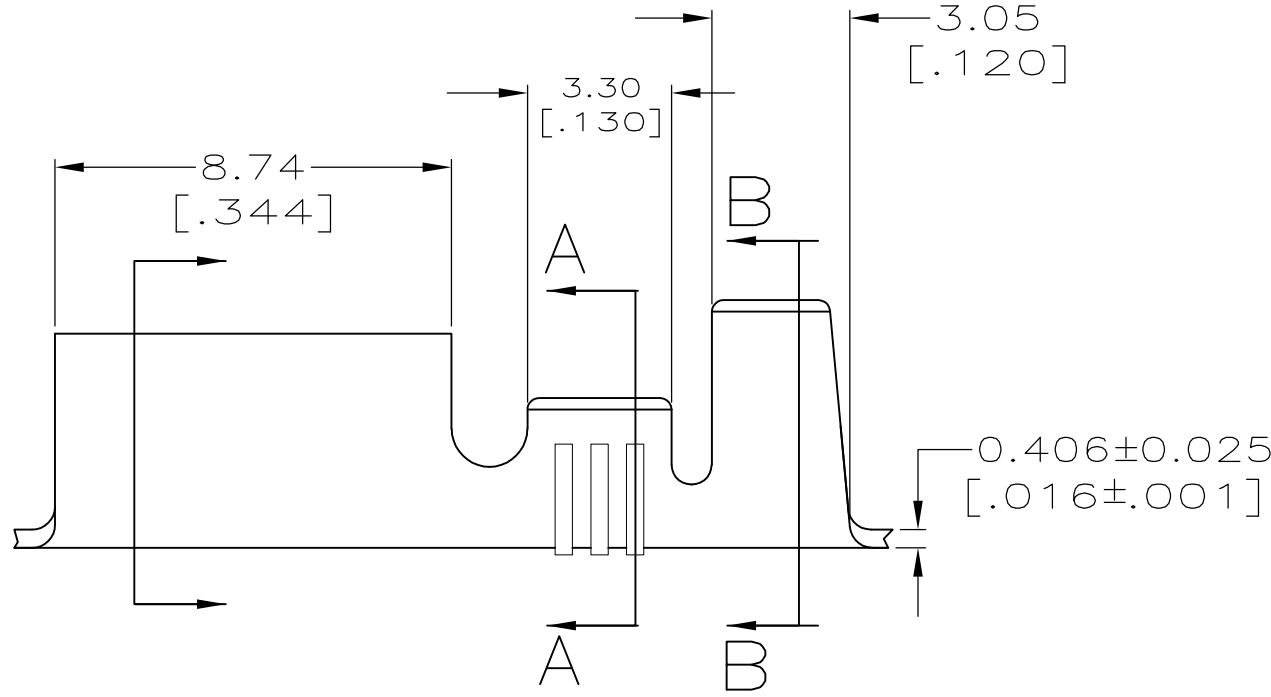
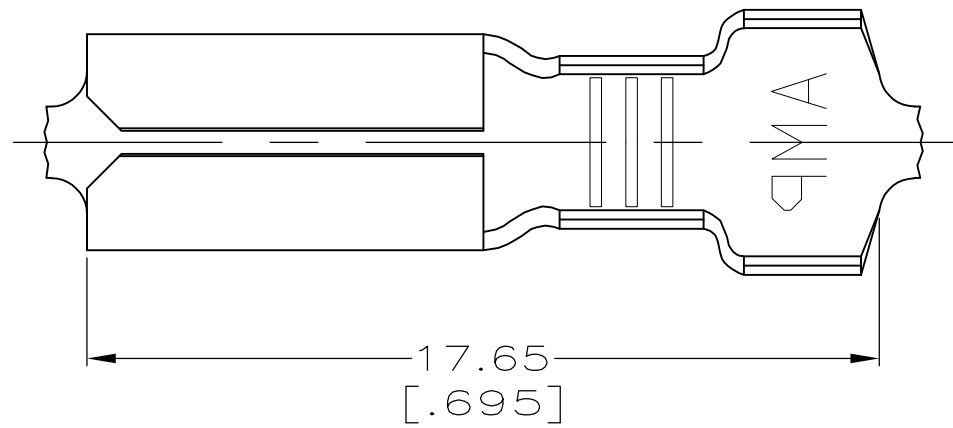


THIS DRAWING IS UNPUBLISHED. RELEASED FOR PUBLICATION
 © COPYRIGHT BY TYCO ELECTRONICS CORPORATION. ALL INTERNATIONAL RIGHTS RESERVED.

LOC	DIST	REVISIONS			
P	LTR	DESCRIPTION	DATE	DWN	APVD
AF	50	A1	REVISED PER ECR-08-030694	06DEC08	HMR DD

1 CONTINUOUS STRIP ON REEL.



3.30-4.44 [.130-.175] ^{DIA}	[18-14] AWG	63865-1
INSULATION RANGE	WIRE RANGE	PART NO.

THIS DRAWING IS A CONTROLLED DOCUMENT.		DWN PHILLIP M FORTNEY 16/AUG/95	Tyco Electronics Corporation Harrisburg, PA 17105-3608	
DIMENSIONS: mm [INCHES]	TOLERANCES UNLESS OTHERWISE SPECIFIED:	CHK JEFF R RUTH 16/AUG/95	NAME RECEPTACLE, SHUR PLUG, 3.96 [.156] DIA	
	0 PLC ± -	APVD GARY YETTER 16/AUG/95	PRODUCT SPEC	
	1 PLC ± -	APPLICATION SPEC	SIZE A3	
MATERIAL 4M BRASS	FINISH 0.002032 [.000080] MIN TIN PL PER ASTM-B545	2 PLC ± -	CAGE CODE 00779	DRAWING NO G-63865
		3 PLC ± -	RESTRICTED TO	
		4 PLC ± -	SCALE 6:1	SHEET 1 OF 1
		ANGLES ± -	REV A1	
		WEIGHT -	CUSTOMER DRAWING	