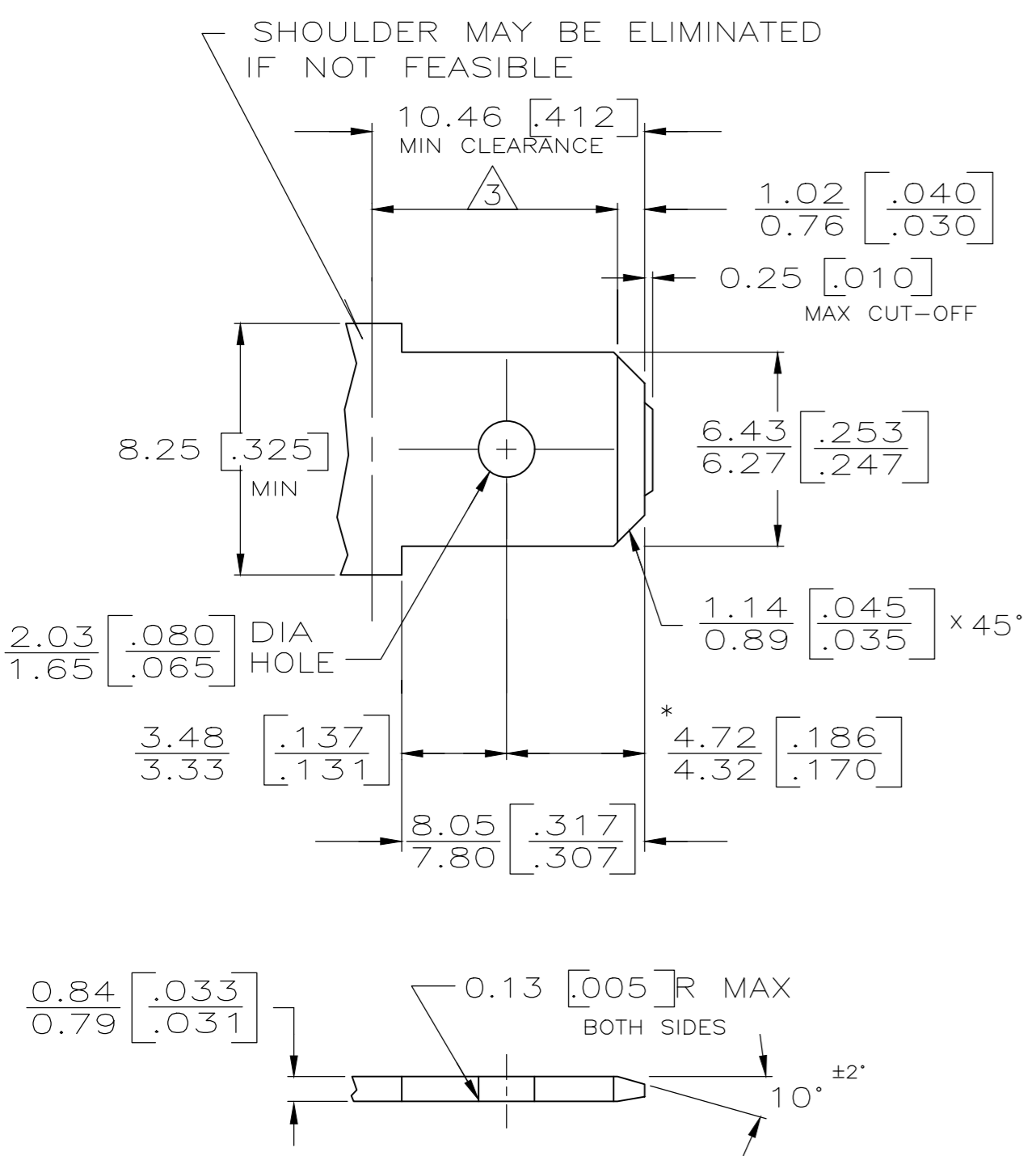


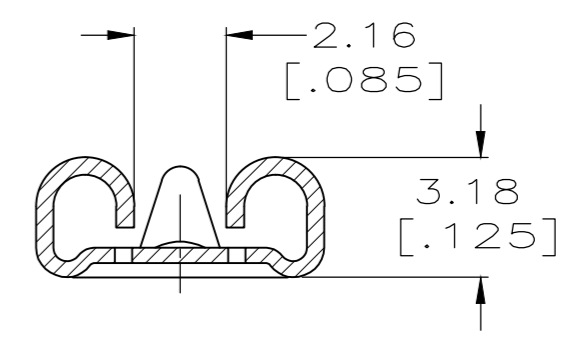
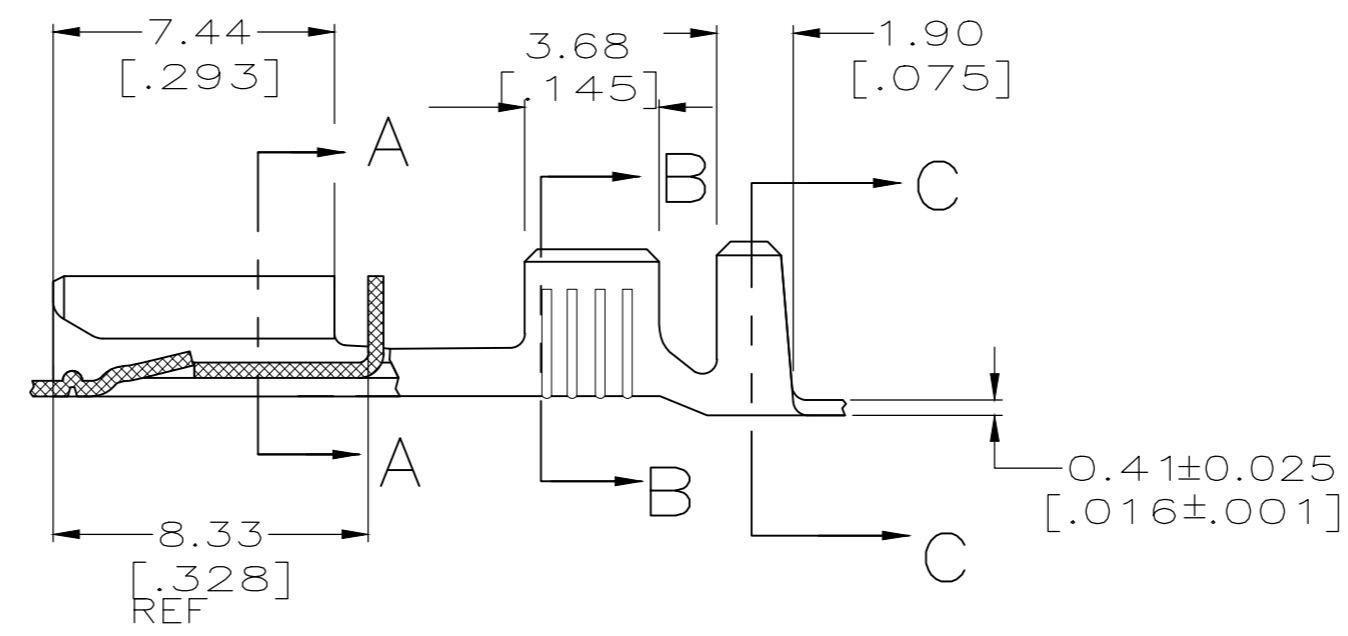
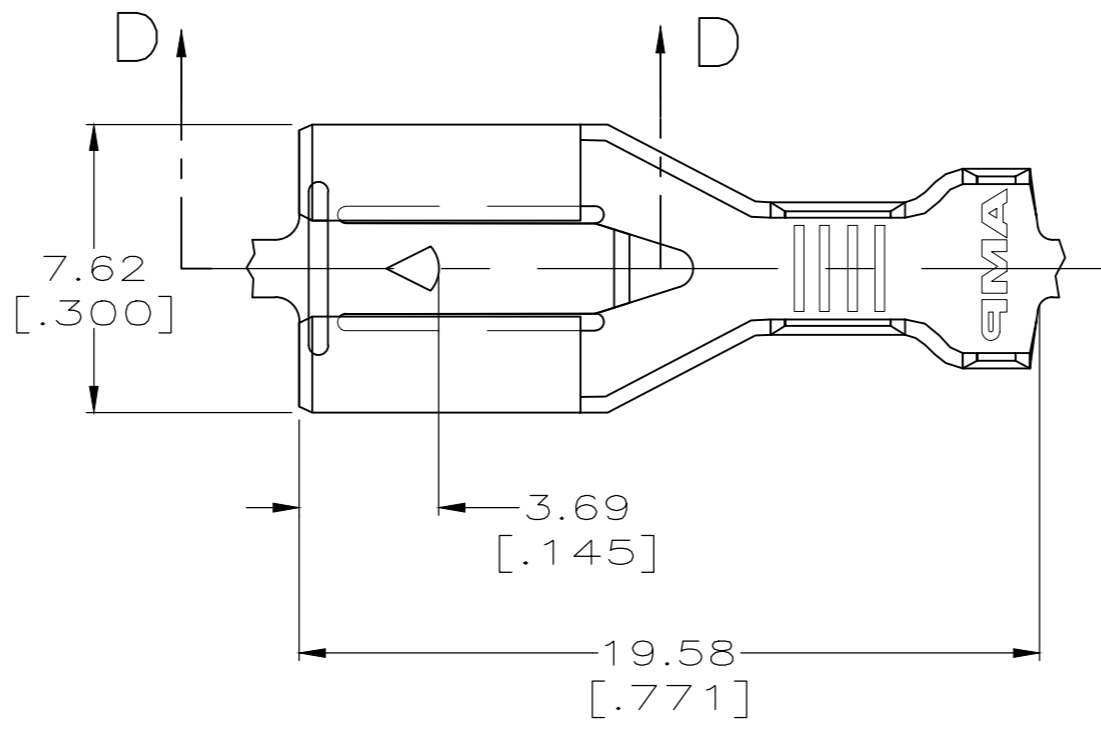
THIS DRAWING IS UNPUBLISHED. RELEASED FOR PUBLICATION
 © COPYRIGHT - By - ALL RIGHTS RESERVED.

LOC	DIST	REVISIONS			
P	LTR	DESCRIPTION	DATE	DWN	APVD
AF	50	N2	REVISED PER ECR-19-018127	10AUG20	AA EW

SUGGESTED MATING TAB

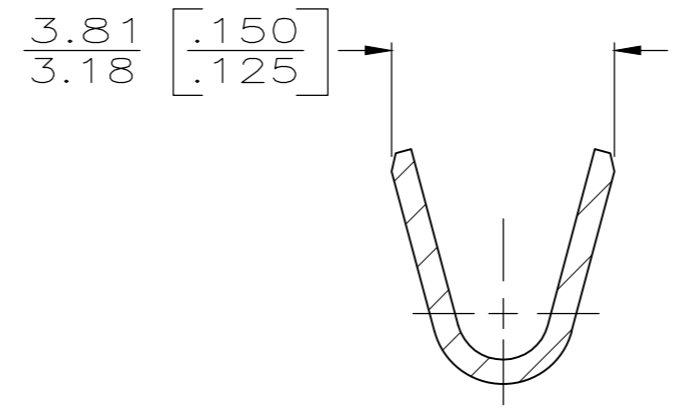


- 1 MATL: 1/2H BRASS OR NICKEL PL STEEL.
 - 2 NO BURRS PERMISSIBLE AT HOLE.
 - 3 MUST BE FLAT WITHIN 0.076 [0.003] OVER THIS LENGTH.
 - 4 TIN PLATING IS REQUIRED ON BRASS WHEN TERMINAL TEMP. IS OVER 225° F
 - 5 HOLE MUST BE SYMMETRICAL ABOUT TAB C WITHIN 0.076 [0.003]
- * TO BE USED ONLY WHEN SHOULDER IS ELIMINATED.

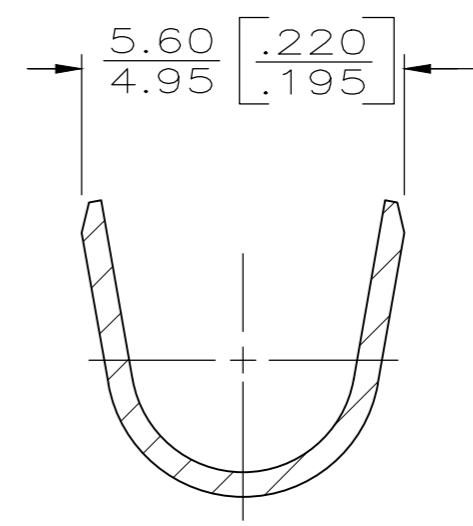


SECTION A-A

SECTION D-D



SECTION B-B



SECTION C-C

FINISH	INSULATION RANGE	WIRE SIZE	PART NO
OBSOLETE	PRE-TIN PL. 2.29-3.94 [.090-.155] DIA	[#18-#14] AWG	4 -63854-4
TIN PLATE	2.29-3.94 [.090-.155] DIA	[#18-#14] AWG	2 3 63854-3
TIN PLATE	2.29-3.94 [.090-.155] DIA	[#18-#14] AWG	63854-2
-	2.29-3.94 [.090-.155] DIA	[#18-#14] AWG	63854-1

THIS DRAWING IS A CONTROLLED DOCUMENT.

DWN	JR RUTH	4/28/95
CHK	MS FEHER	4/28/95
APVD	R REINER	4/28/95

TE Connectivity

RECEPTACLE, POSITIVE LOCK, 6.35 [.250] SERIES

SIZE	A2	CAGE CODE	00779	DRAWING NO	C-63854	RESTRICTED TO	-
MATERIAL	BRASS	FINISH	SEE TABLE	WEIGHT	-	SCALE	5:1
CUSTOMER DRAWING				SHEET	1 of 1	REV	N2