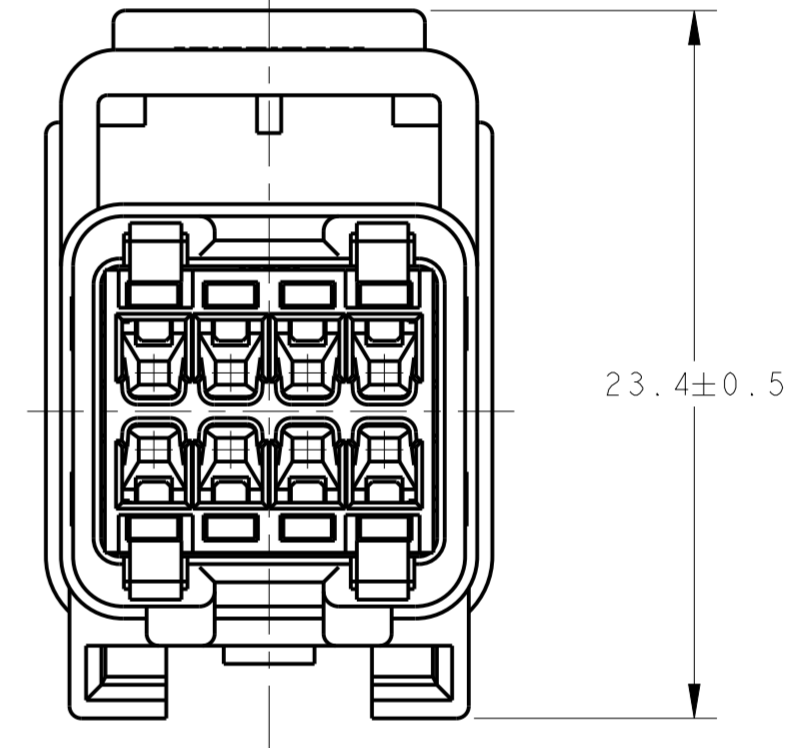
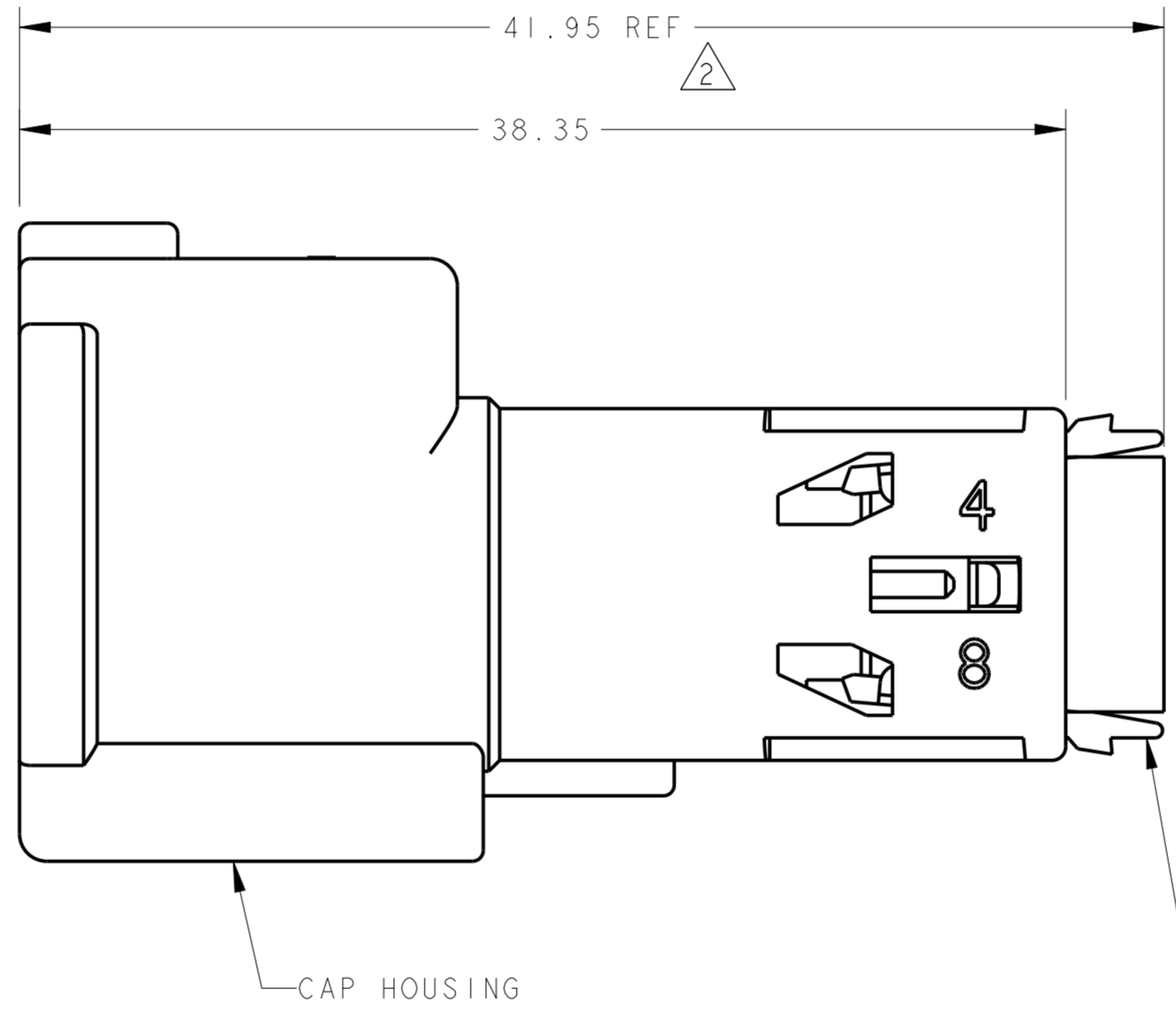
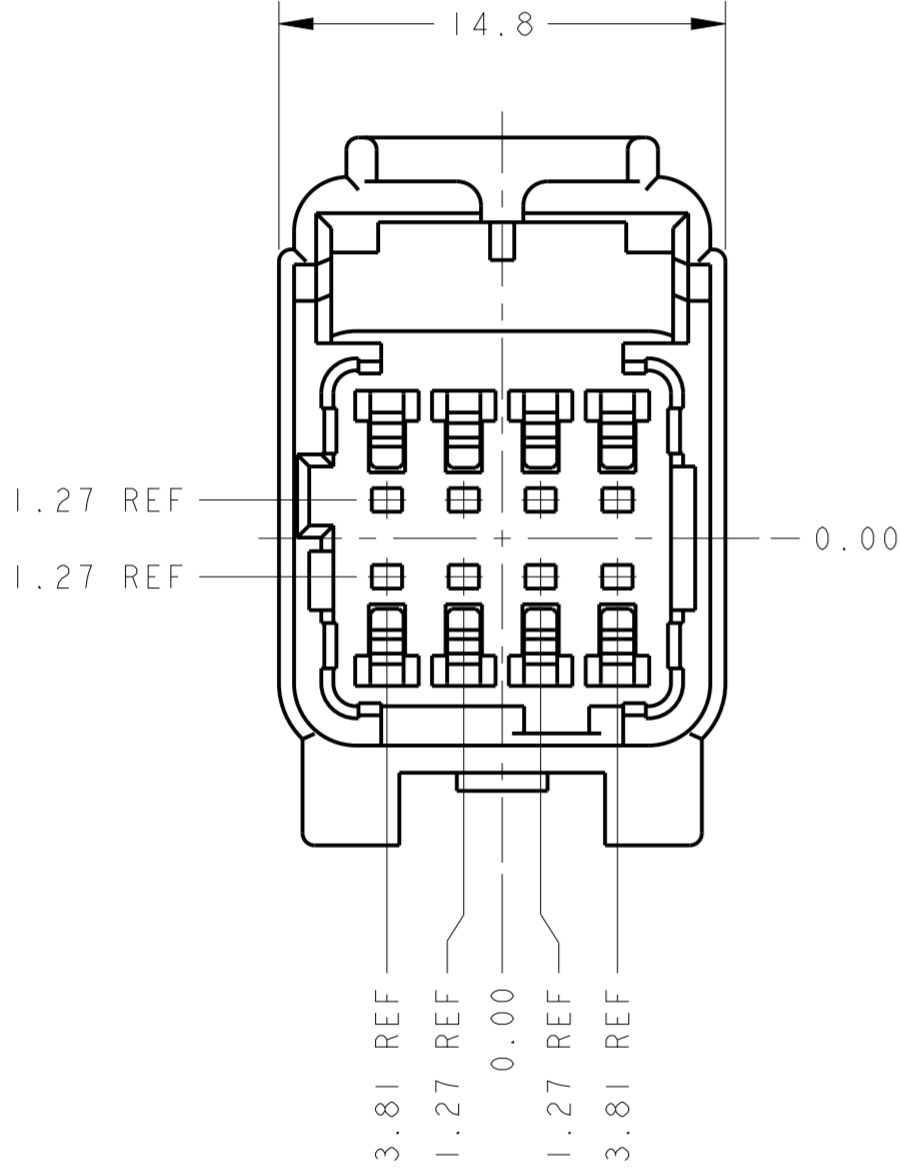
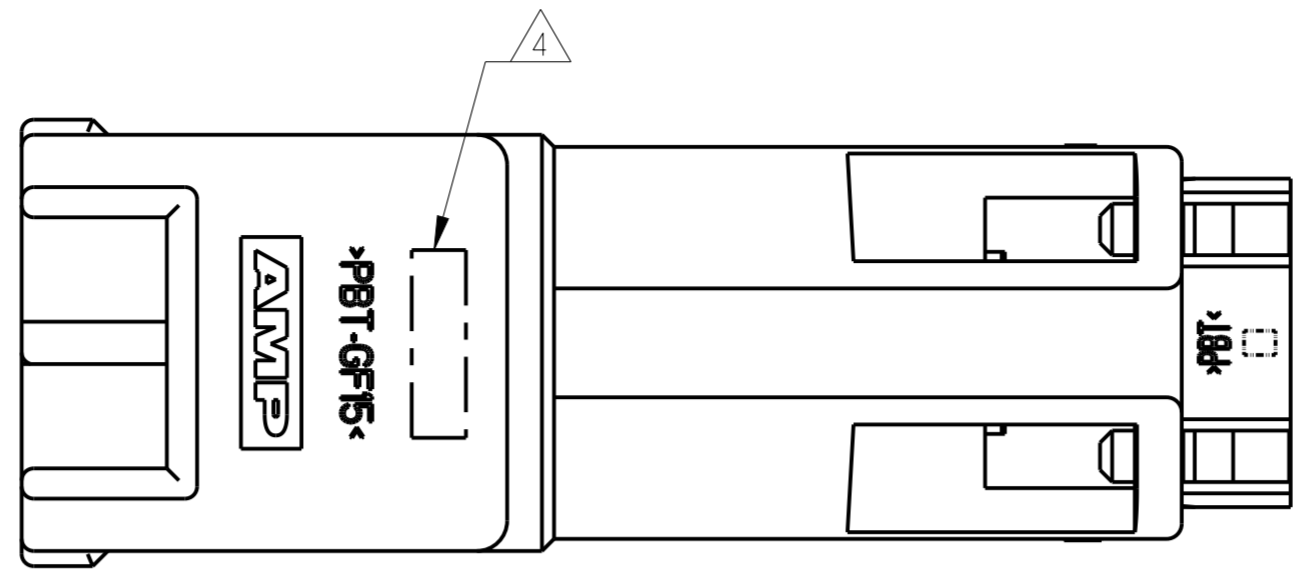


P	LTR	DESCRIPTION	DATE	DWN	APVD
01		REVISED PER ECO-10-018878	20SEP2010	DLD	CJS
A		REVISED PER ECO-20-012414	23APR2021	AP	CS

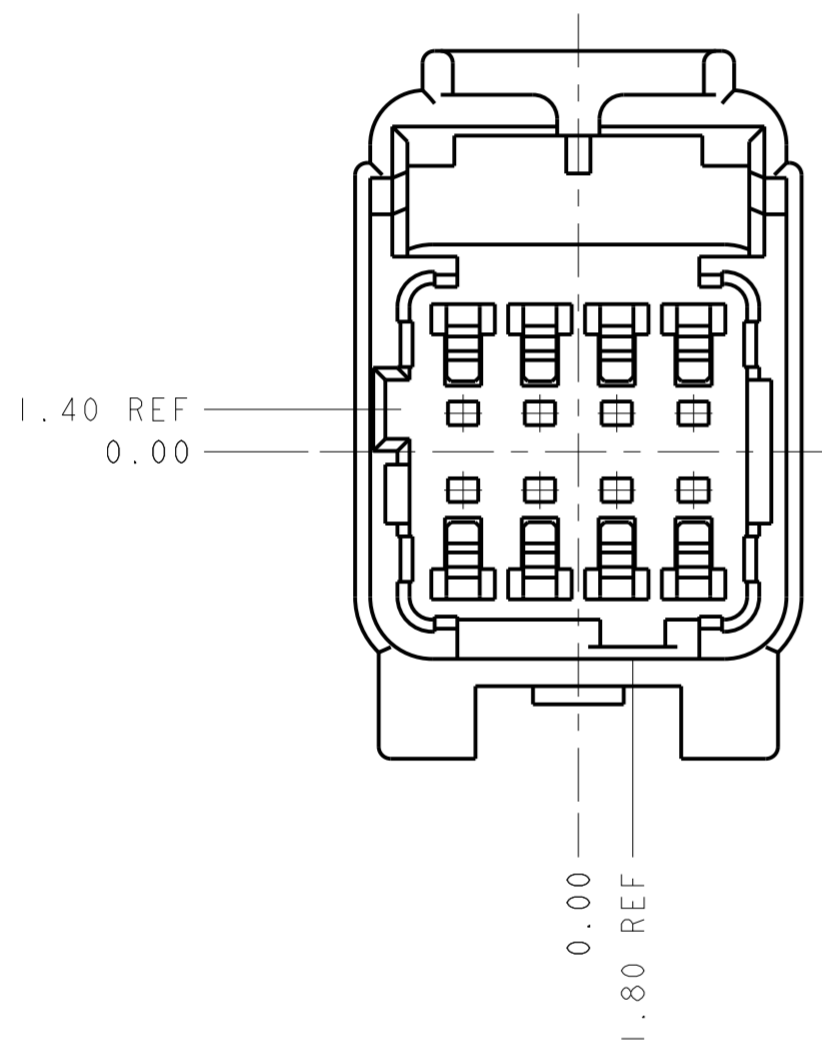


- 638379-1 SHOWN.
- REAR SECONDARY LOCK, SHOWN IN PRE-LATCHED POSITION.
- CAP HOUSING: PBT, 15% GLASS FILLED, 25% MAX REGRIND, COLOR: SEE TABLE. REAR SECONDARY LOCK: PBT, UNFILLED, GRAY, 25% MAX REGRIND.
- MARK FOUR DIGIT JULIAN DATE CODE (DDDY), LOCATED IN APPROXIMATE AREA SHOWN.
- BODY CLIP SOLD SEPARATELY. SEE AMP RECOMMENDED P/N 345484-1.
- TERMINALS SOLD SEPARATELY. SEE AMP RECOMMENDED P/N 1488208 (GOLD) OR 1488220 (TIN) FOR TERMINATION AND REELING OPTIONS.
- THIS PRODUCT HAS A MINIMUM MISMATING FORCE OF 100 NEWTONS.

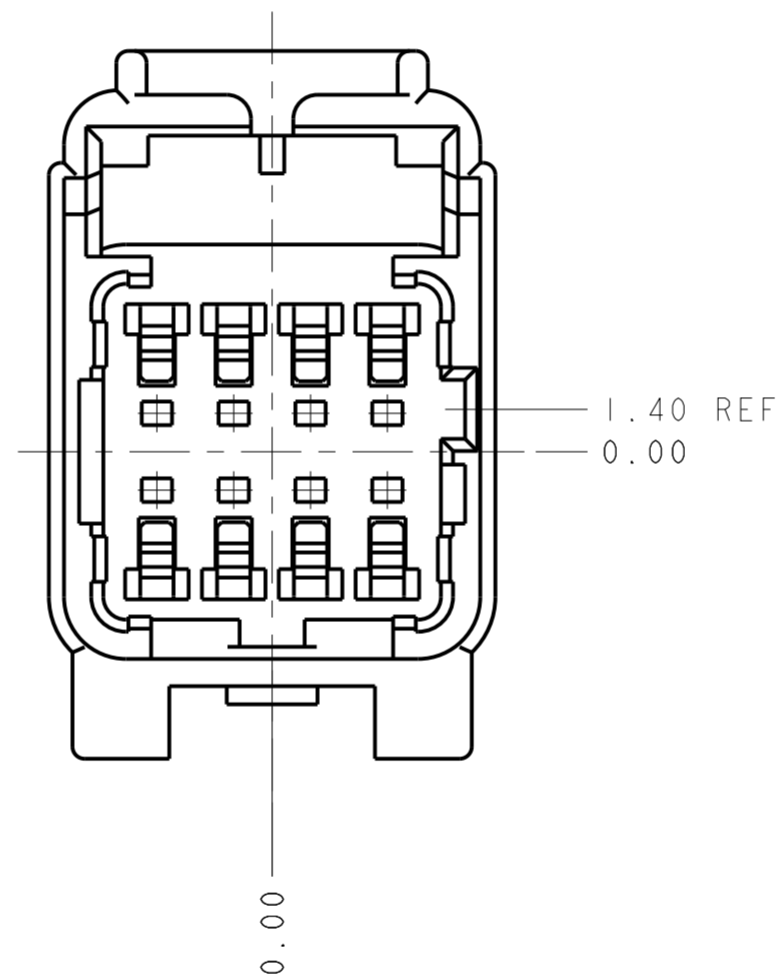
BLUE	"C"	638379-3
YELLOW	"B"	638379-2
BLACK	"A"	638379-1
CAP HOUSING COLOR	KEYING ARRANGEMENT (SEE SHEET 2)	PART NUMBER

THIS DRAWING IS A CONTROLLED DOCUMENT.		DWN K. FOLTZ 10DEC99	TE Connectivity															
DIMENSIONS: mm		CHK A. EBRAHEEM 13DEC00																
TOLERANCES UNLESS OTHERWISE SPECIFIED:		APVD A. EBRAHEEM 13DEC00	NAME CAP ASSEMBLY, 8 POSITION, 2X4, UNSEALED, W-T-W, 0.64mm CONNECTOR															
<table border="1"> <tr><td>0 PLC</td><td>±</td></tr> <tr><td>1 PLC</td><td>±0.4</td></tr> <tr><td>2 PLC</td><td>±0.20</td></tr> <tr><td>3 PLC</td><td>±</td></tr> <tr><td>4 PLC</td><td>±</td></tr> <tr><td>ANGLES</td><td>±</td></tr> <tr><td>FINISH</td><td>±</td></tr> </table>		0 PLC	±	1 PLC	±0.4	2 PLC	±0.20	3 PLC	±	4 PLC	±	ANGLES	±	FINISH	±	PRODUCT SPEC SAE/USCAR-2 8/97	SIZE A200779	
0 PLC	±																	
1 PLC	±0.4																	
2 PLC	±0.20																	
3 PLC	±																	
4 PLC	±																	
ANGLES	±																	
FINISH	±																	
MATERIAL material_2	finish_spec_2	APPLICATION SPEC -	WEIGHT -	DRAWING NO C-638379														
CUSTOMER DRAWING			SCALE 4:1	RESTRICTED TO SHEET 1 OF 2 REV A														

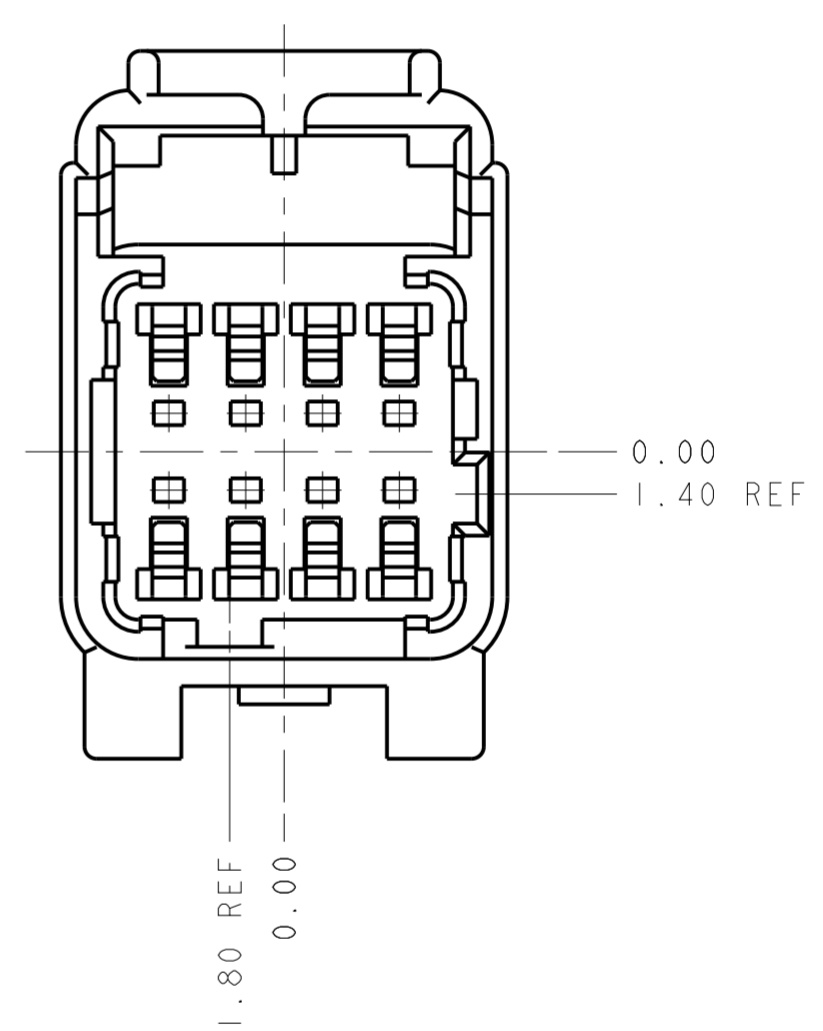
P	LTR	DESCRIPTION	DATE	DWN	APVD
-		SEE SHEET 1	-	-	-



KEY CODE "A"  
(APPLIES TO -1 ONLY)  
SCALE 4:1



KEY CODE "B"  
(APPLIES TO -2 ONLY)  
SCALE 4:1



KEY CODE "C"  
(APPLIES TO -3 ONLY)  
SCALE 4:1

THIS DRAWING IS A CONTROLLED DOCUMENT.		DWN K.FOLTZ 10DEC99		
		CHK A.EBRAHEEM 13DEC00		
DIMENSIONS: mm		APVD A.EBRAHEEM 13DEC00	NAME CAP ASSEMBLY, 8 POSITION, 2X4, UNSEALED, W-T-W, 0.64mm CONNECTOR	
TOLERANCES UNLESS OTHERWISE SPECIFIED: 0 PLC ± 1 PLC ±0.4 2 PLC ±0.20 3 PLC ± 4 PLC ± ANGLES ± FINISH		PRODUCT SPEC SAE/USCAR-2 8/97	RESTRICTED TO	
MATERIAL material_2	finish_spec_2	APPLICATION SPEC -	SIZE A20779	DRAWING NO C-638379
CUSTOMER DRAWING		WEIGHT -	SCALE 4:1	SHEET 2 OF 2
			REV A	