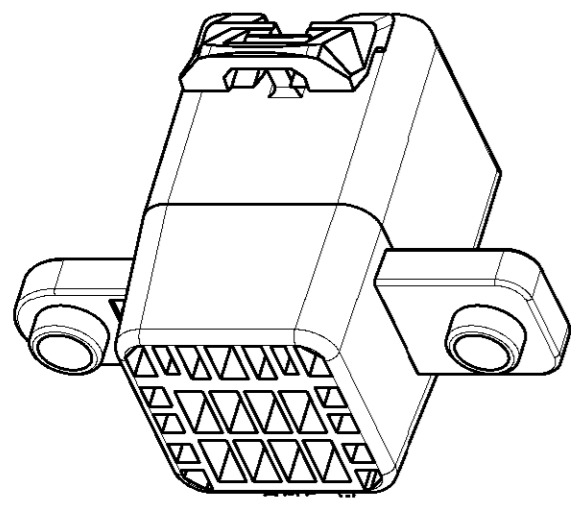
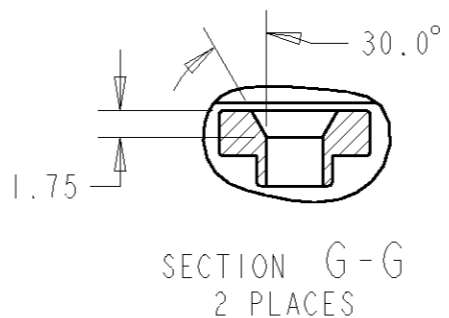
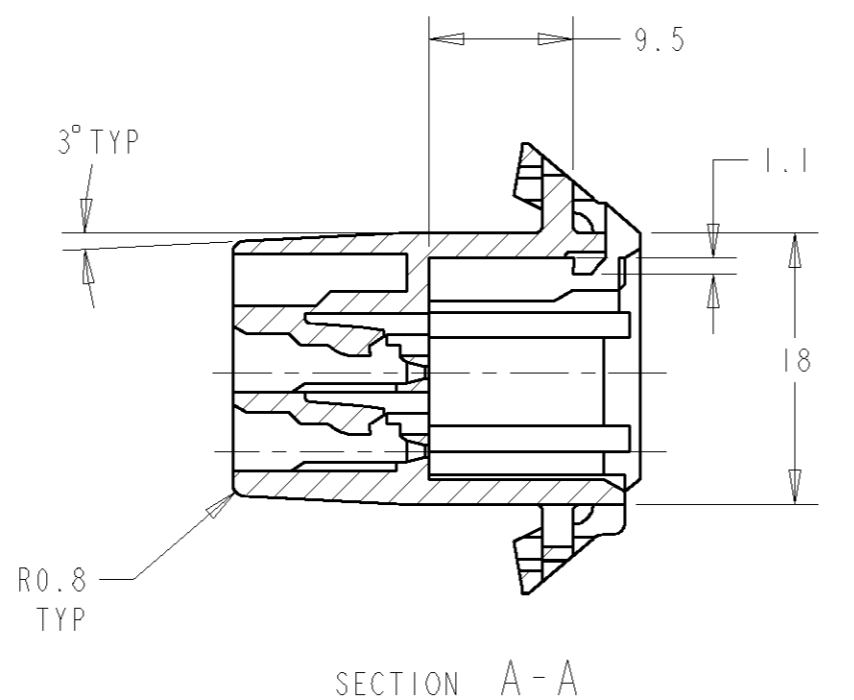
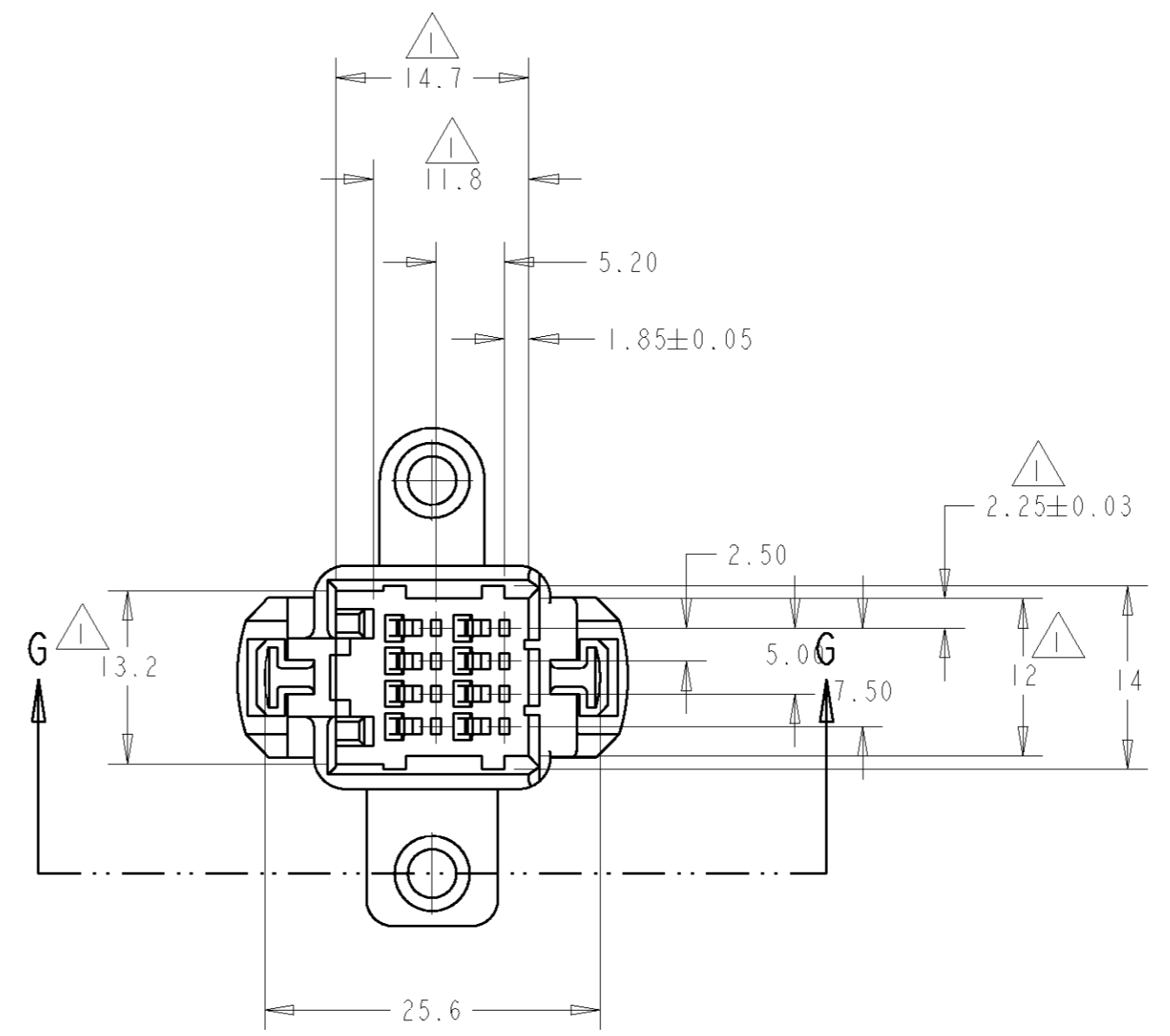
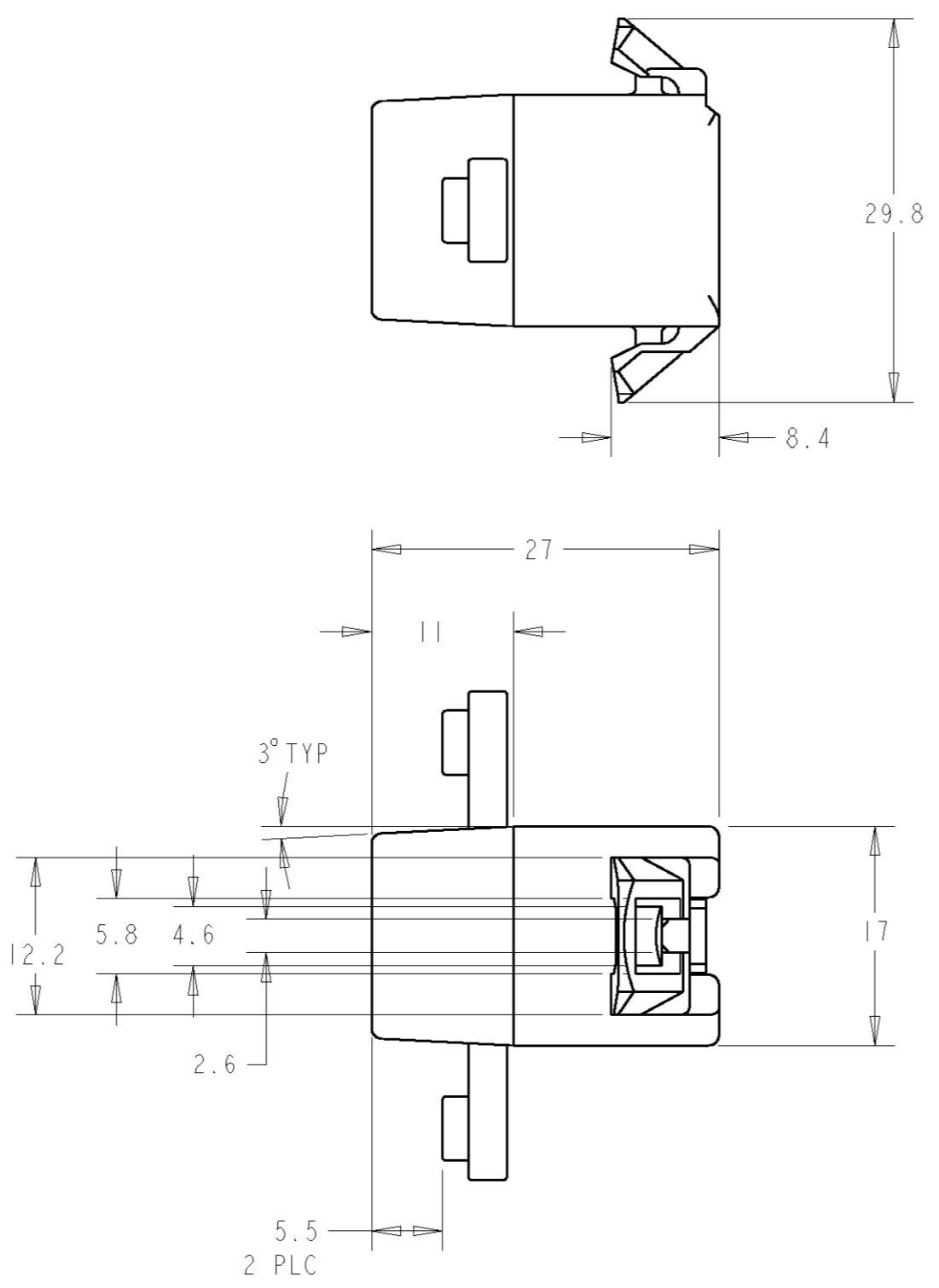
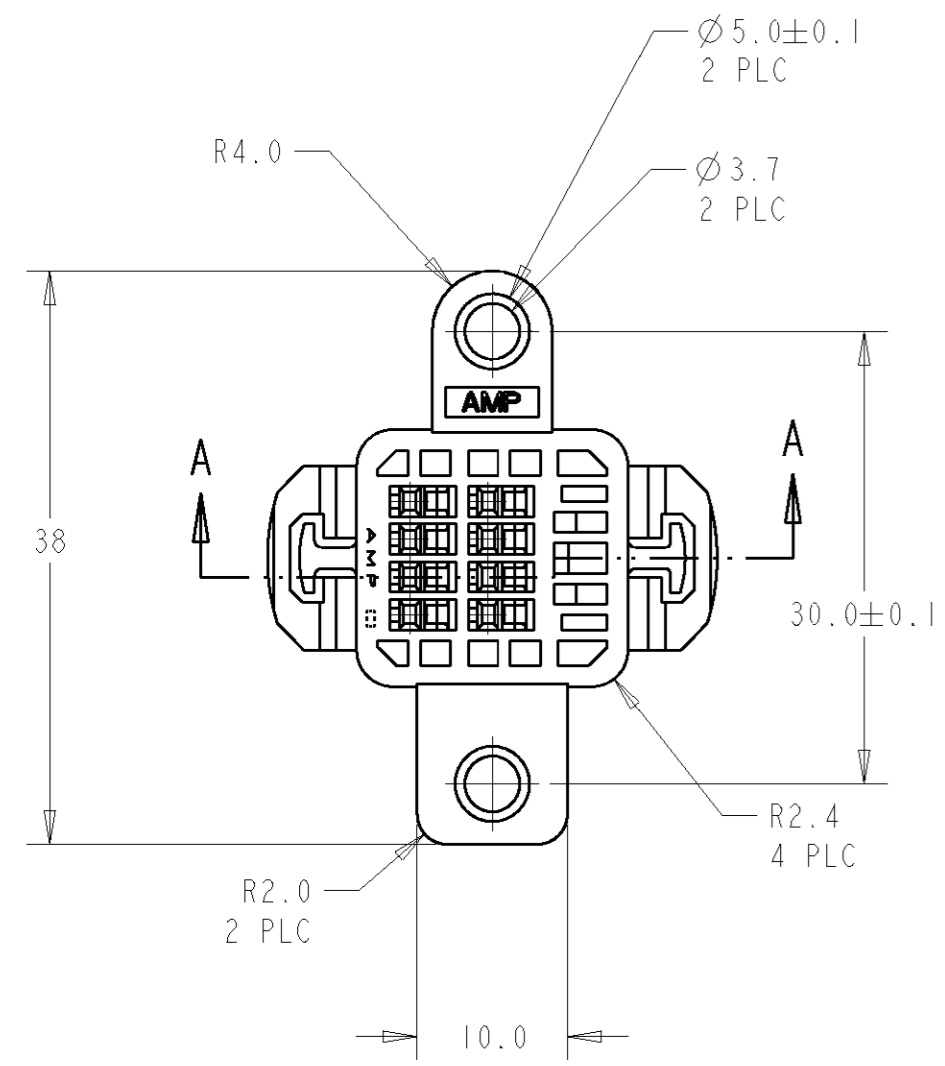


THIS DRAWING IS UNPUBLISHED. RELEASED FOR PUBLICATION .19
 © COPYRIGHT 19 BY AMP INCORPORATED. ALL RIGHTS RESERVED.

LOC	DIST	REVISIONS					
		P	LTR	DESCRIPTION	DATE	DWN	APVD
FX	00		O	RELEASED PER ECN 0K80-0158-99	18NOV99	YTP	GM
			A	REV PER ECN 0K80-0169-00	19JUL2000	JRB	GEM
			B	0K80-0265-00	19DEC2000	JRB	MAM



- NOTE
1. TO BE MEASURED BETWEEN [-Z-] AND 2mm FROM [-Z-].
 2. THE MATING PLUG HOUSING PART NUMBER IS 174044
 3. APPLICABLE CONTACT PART NUMBER IS 173682



WHITE	638241-1
COLOR	PART NUMBER

THIS DRAWING IS A CONTROLLED DOCUMENT FOR AMP INCORPORATED. IT IS SUBJECT TO CHANGE AND THE CONTROLLING ENGINEERING ORGANIZATION SHOULD BE CONTACTED FOR THE LATEST REVISION.		DWN R. CORE 23APR99	AMP Incorporated Harrisburg, PA 17105-3608
DIMENSIONS: mm		CHK M. MENDYK 23APR99	
TOLERANCES UNLESS OTHERWISE SPECIFIED: 0 PLC ±0.3 1 PLC ±0.3 2 PLC ±0.15 3 PLC ± 4 PLC ±		APVD M. MENDYK 23APR99	NAME CAP HOUSING, .040 8 POS, MULTI-LOCK CONNECTOR
MATERIAL -		FINISH -	PRODUCT SPEC 108-5352
			APPLICATION SPEC 114-5108
			SIZE A2
			CAGE CODE 00779
			DRAWING NO 638241
			SCALE 2:1
			SHEET 1
			OF 1
			REV B