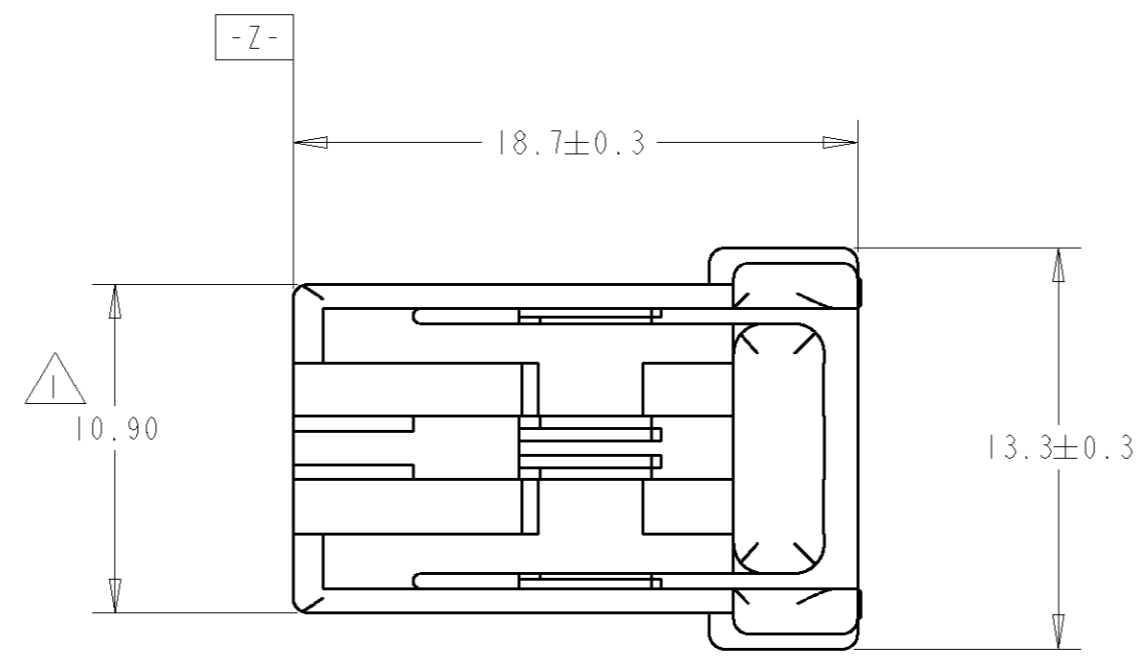
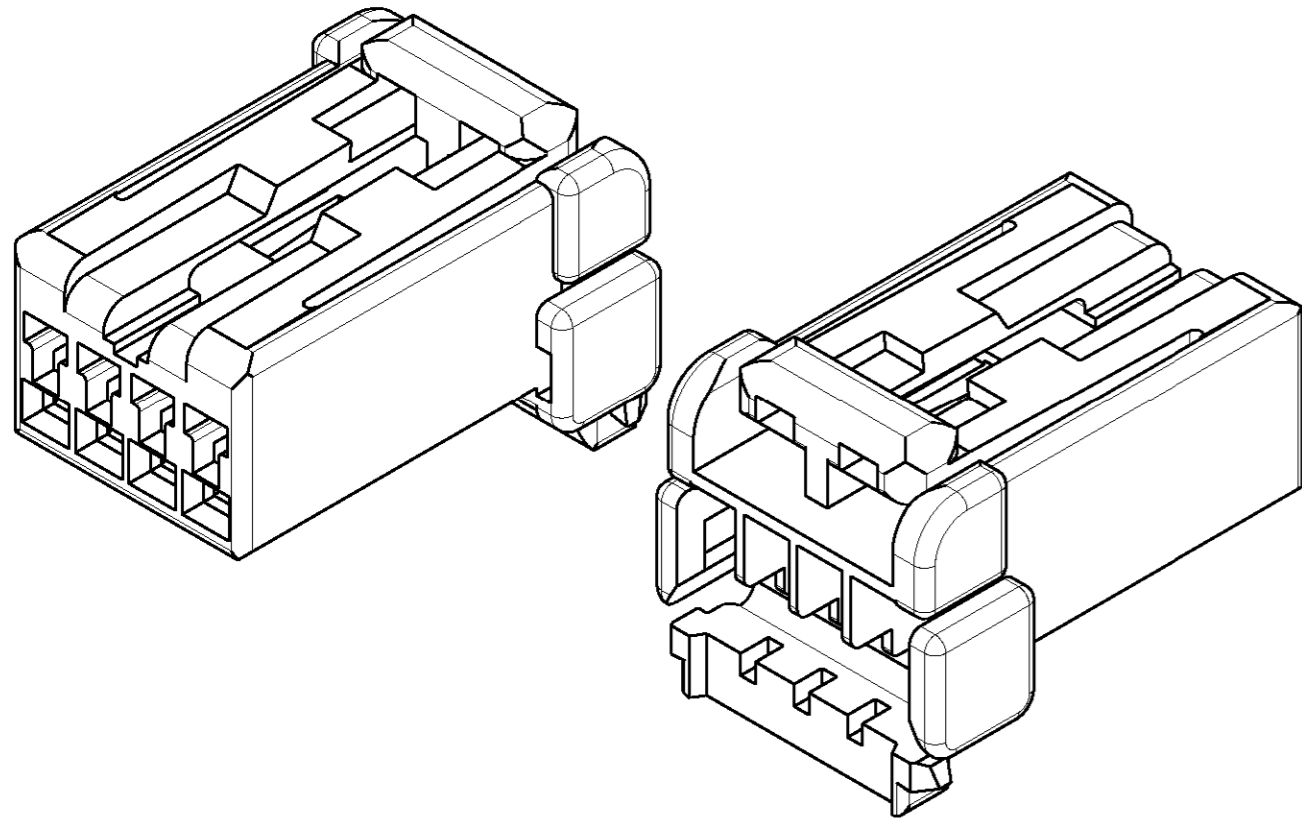
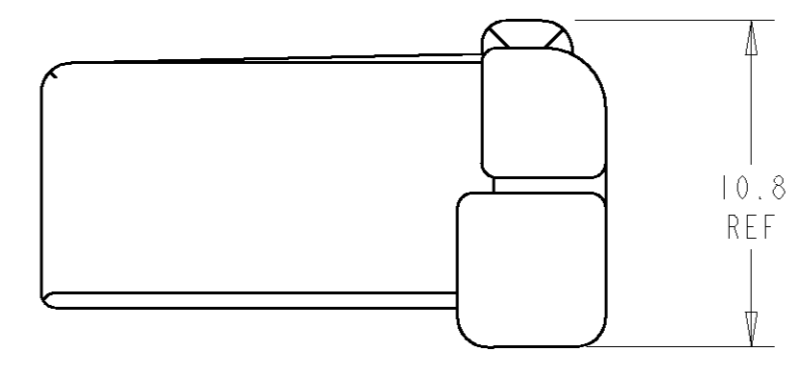
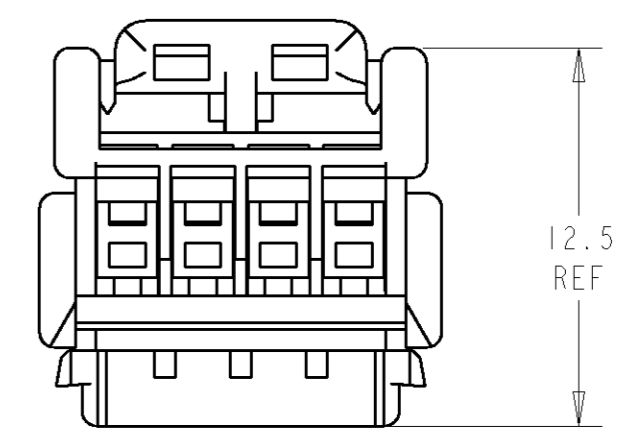
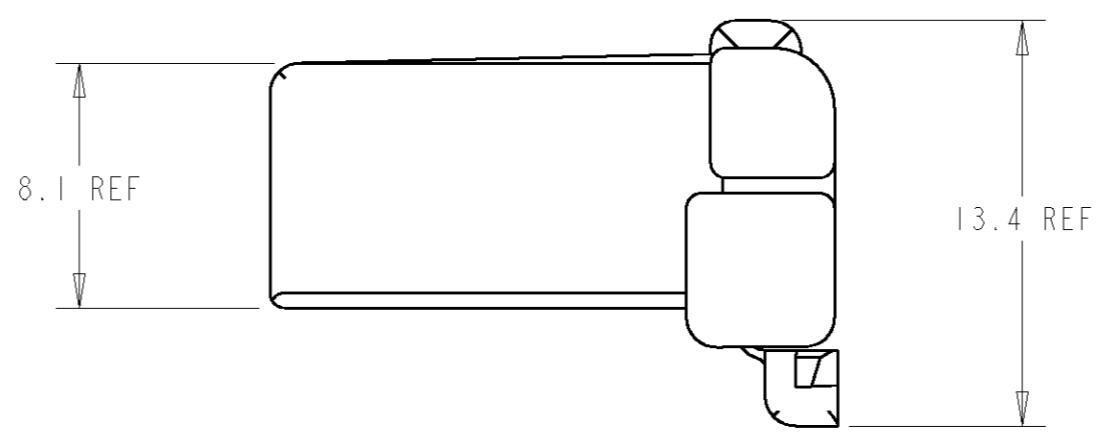
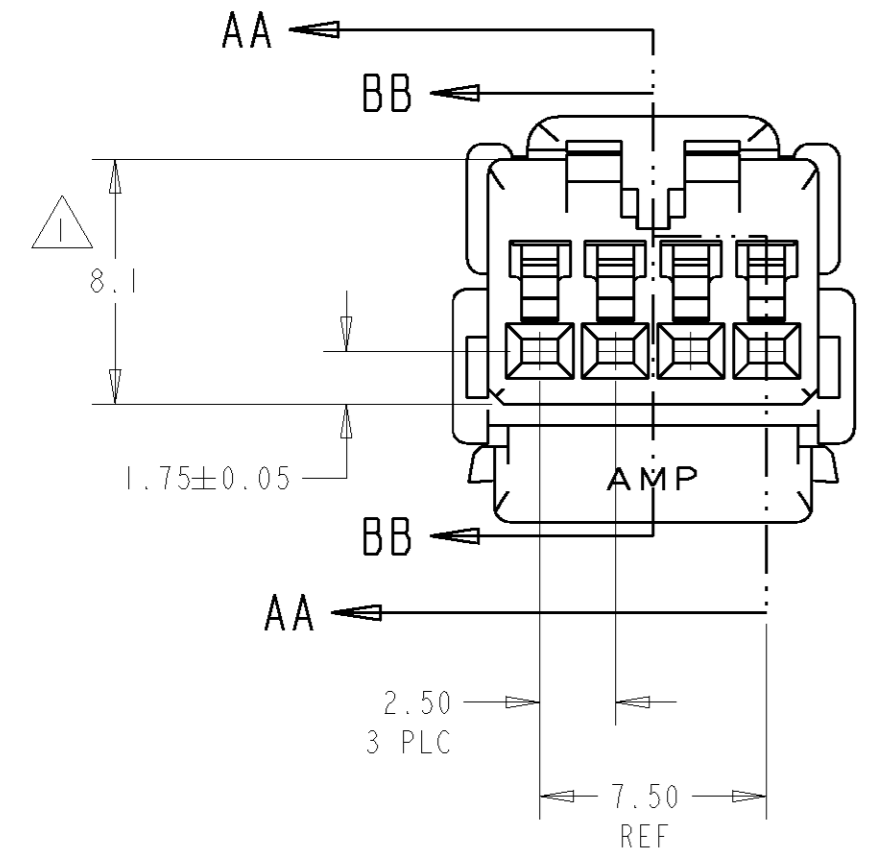


THIS DRAWING IS UNPUBLISHED. RELEASED FOR PUBLICATION
 © COPYRIGHT 19 BY TYCO ELECTRONICS CORPORATION. ALL RIGHTS RESERVED.

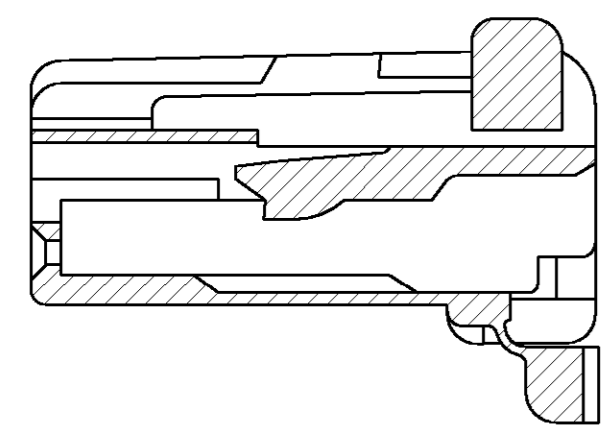
| LOC | | DIST | | REVISIONS | | | |
|-----|-----|-----------------------------|-----------|-----------|------|--|--|
| P | LTR | DESCRIPTION | DATE | DWN | APVD | | |
| | O | REL'D PER EC OK80-0130-99 | 17SEP99 | YTP | MM | | |
| | A | REVISED PER EC OK80-0189-01 | 19OCT2001 | LBP | SA | | |



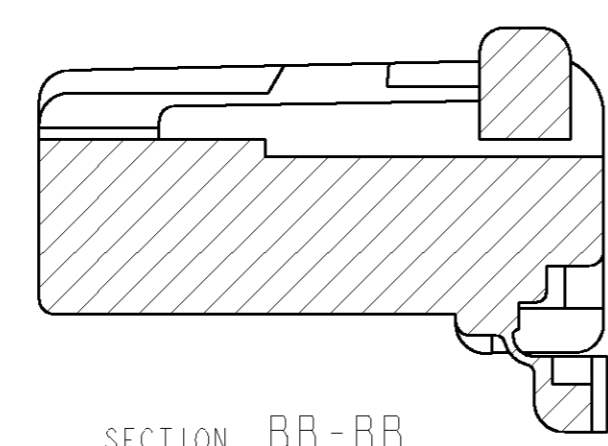
- 1. TO BE MEASURED WITHIN [-Z-] AND 2.0mm FROM [-Z-]
- 2. TO BE USED FOR NON-SERVICEABLE CLOCKSRING CONNECTION.
- 3. APPLICABLE CONTACT PART NUMBER IS 173681
- 4. 0.64±0.03 THK. X 1.00±0.05 CONTACTS, 4 PLACES, BRASS, TIN PLATED.
- 5. MINIMUM WALL THICKNESS SHALL BE 1.45.



LATCH CLOSED



SECTION AA-AA



SECTION BB-BB

| | | | |
|---|--|--|--|
| <small>THIS DRAWING IS A CONTROLLED DOCUMENT FOR TYCO ELECTRONICS CORPORATION IT IS SUBJECT TO CHANGE AND THE CONTROLLING ENGINEERING ORGANIZATION SHOULD BE CONTACTED FOR THE LATEST REVISION.</small> | | DWN Y. PETERSON 04DEC98 CHK S. KROEGER 04DEC98 APVD S. KROEGER 04DEC98 | AMP AMP Incorporated Harrisburg, PA 17105-3608 |
| DIMENSIONS: mm | TOLERANCES UNLESS OTHERWISE SPECIFIED: 0 PLC ± 1 PLC ±0.3 2 PLC ±0.15 3 PLC ± 4 PLC ± ANGLES ± FINISH - | PRODUCT SPEC - APPLICATION SPEC - WEIGHT - | NAME PLUG HOUSING, .040, 4 POS TAMPER RESISTANT |
| MATERIAL - | CUSTOMER DRAWING | SIZE A2 CAGE CODE 00779 DRAWING NO. 638229 | RESTRICTED TO - |
| SCALE 4/1 | | SHEET 1 OF 1 | REV A |

WAS 98-0416-025