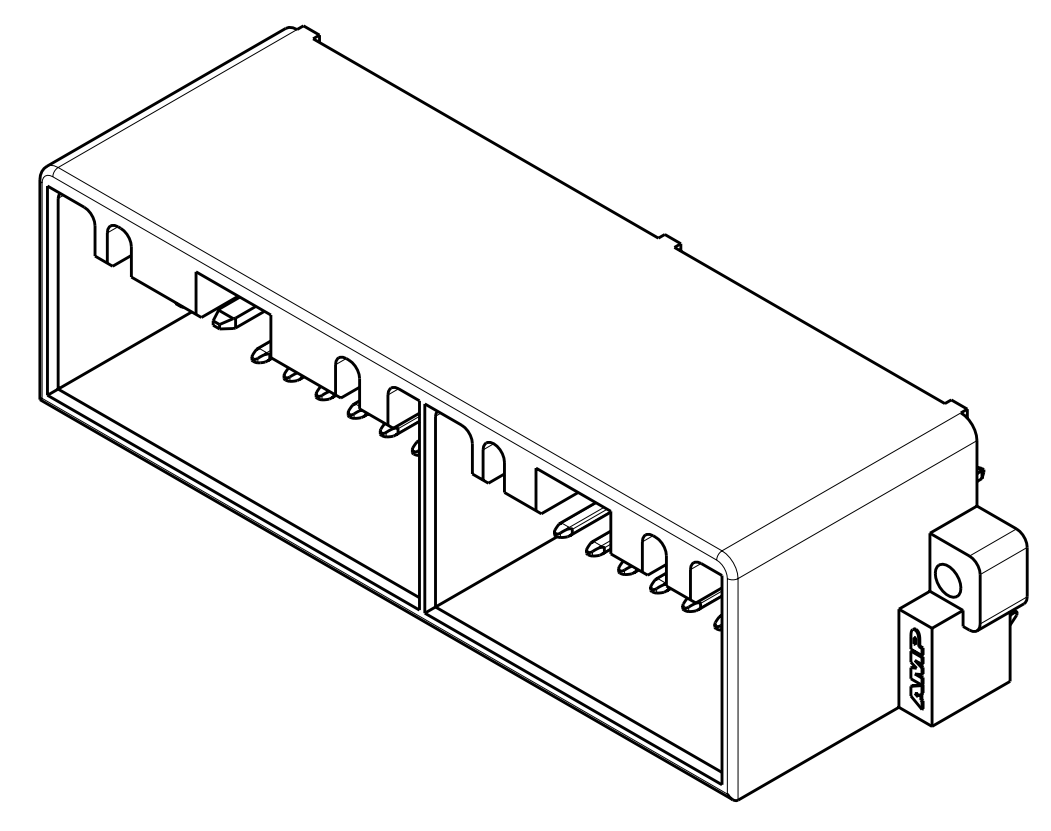
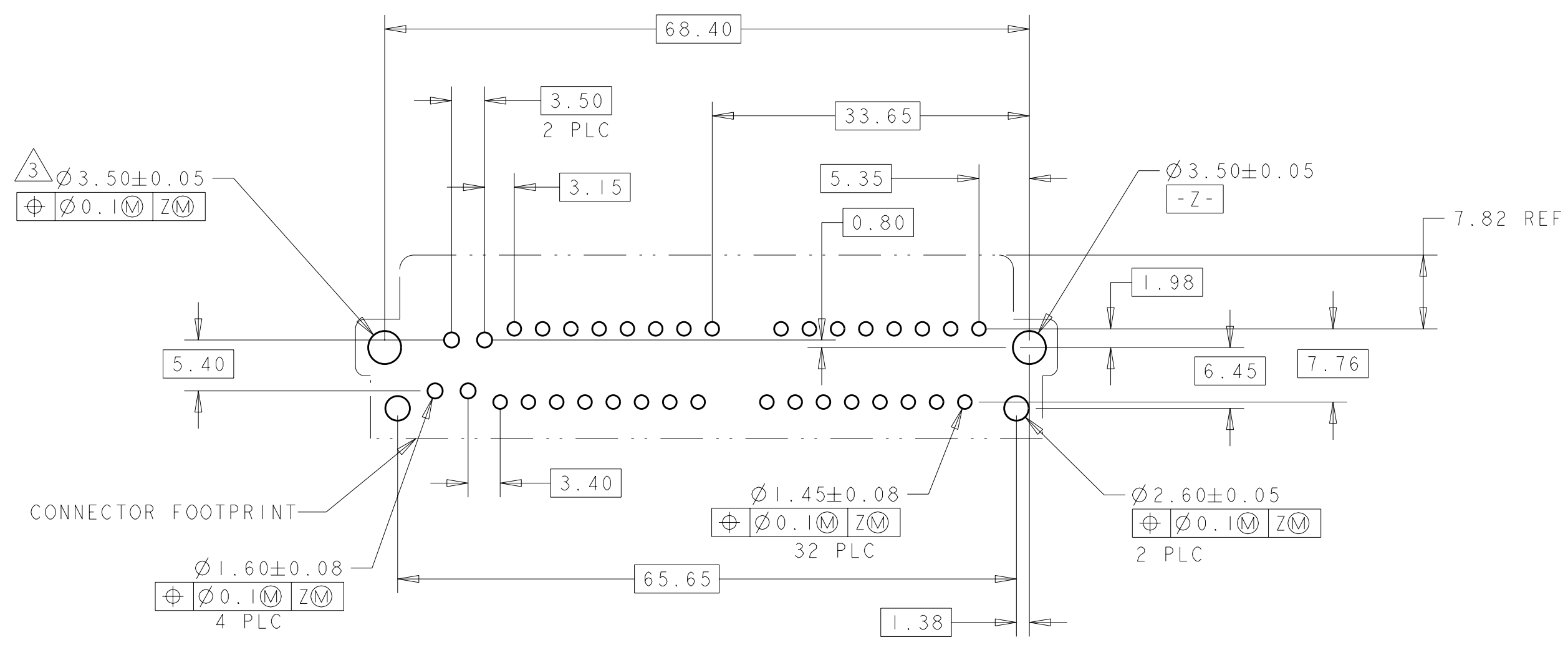
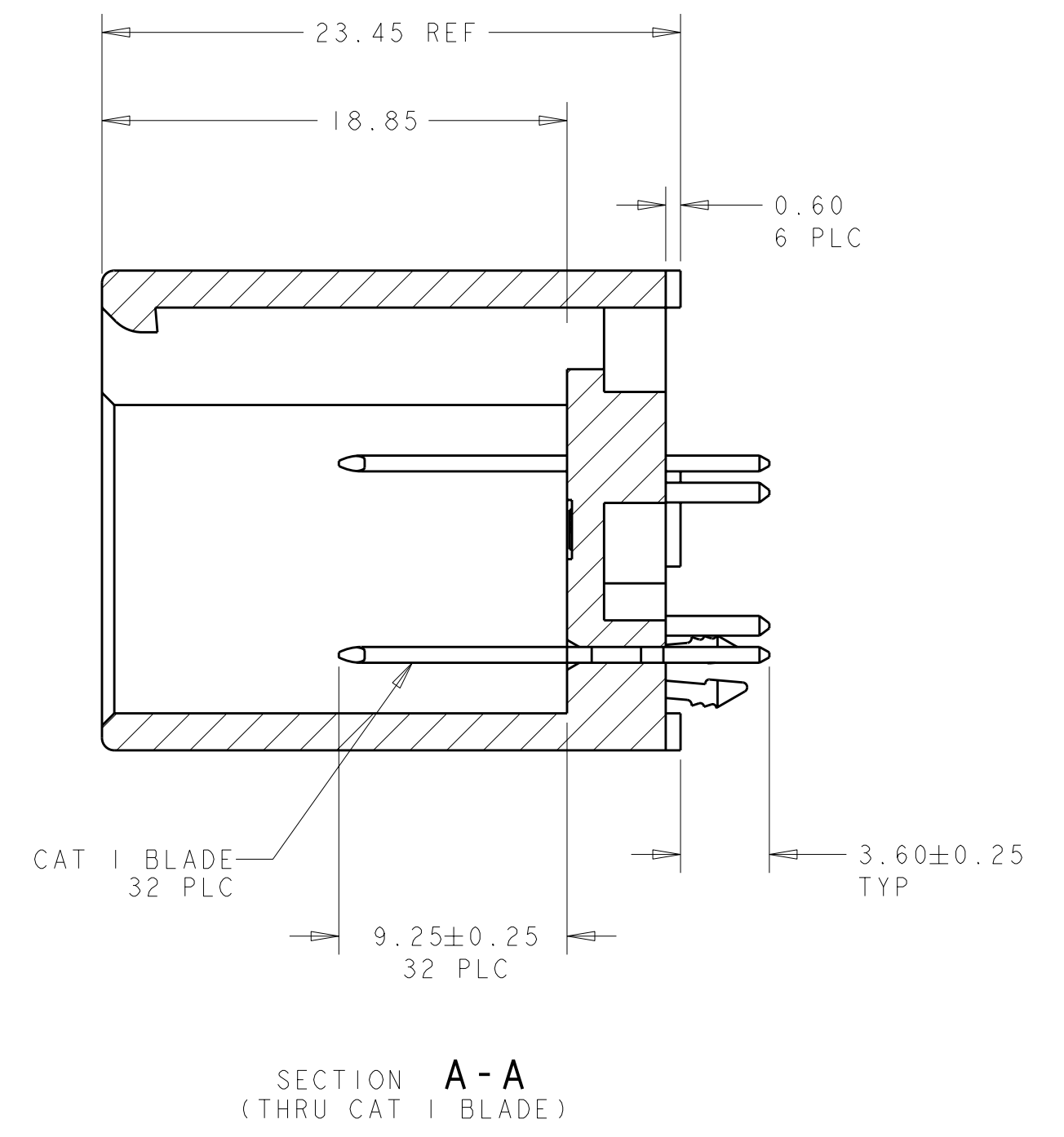
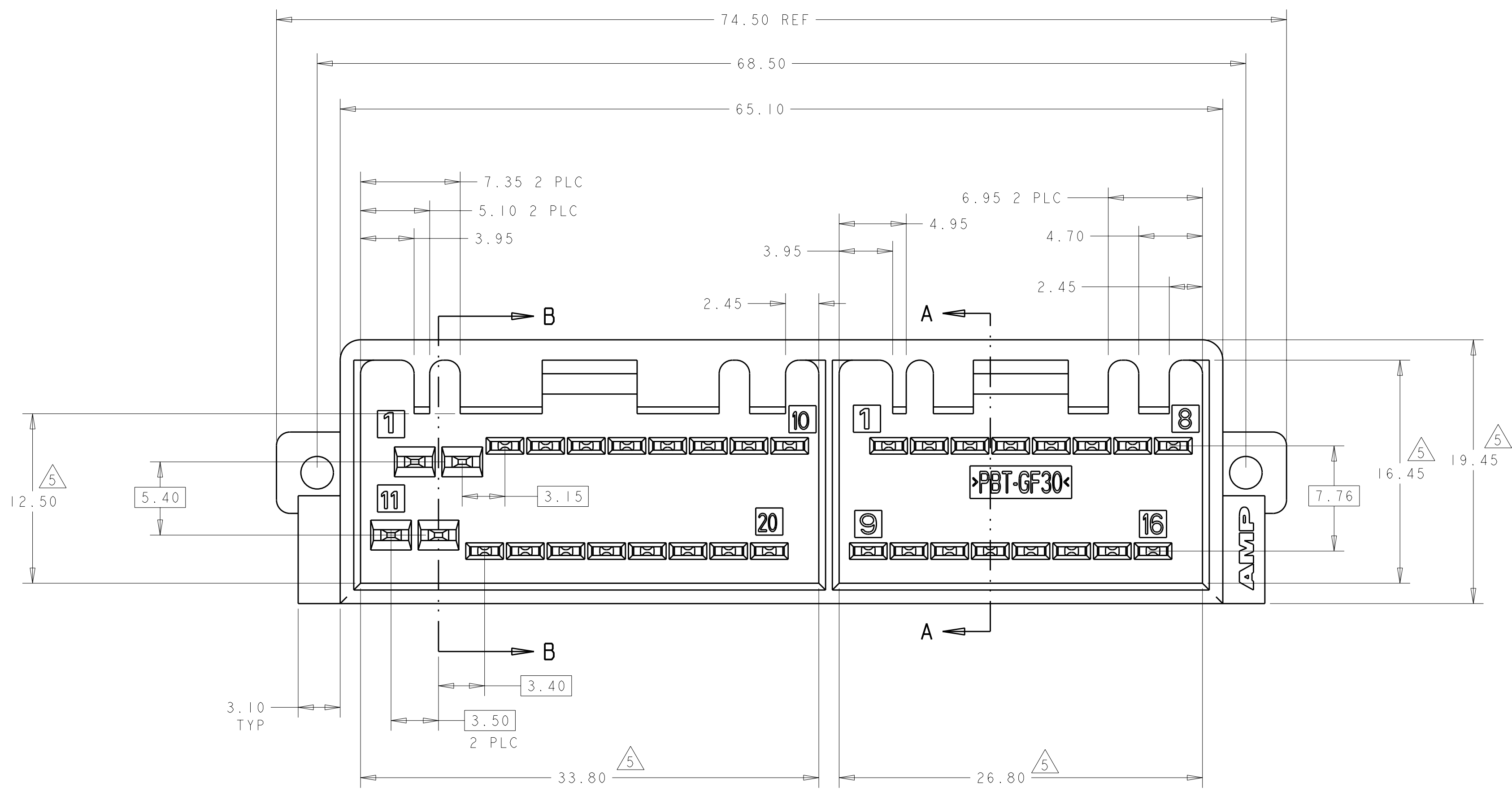
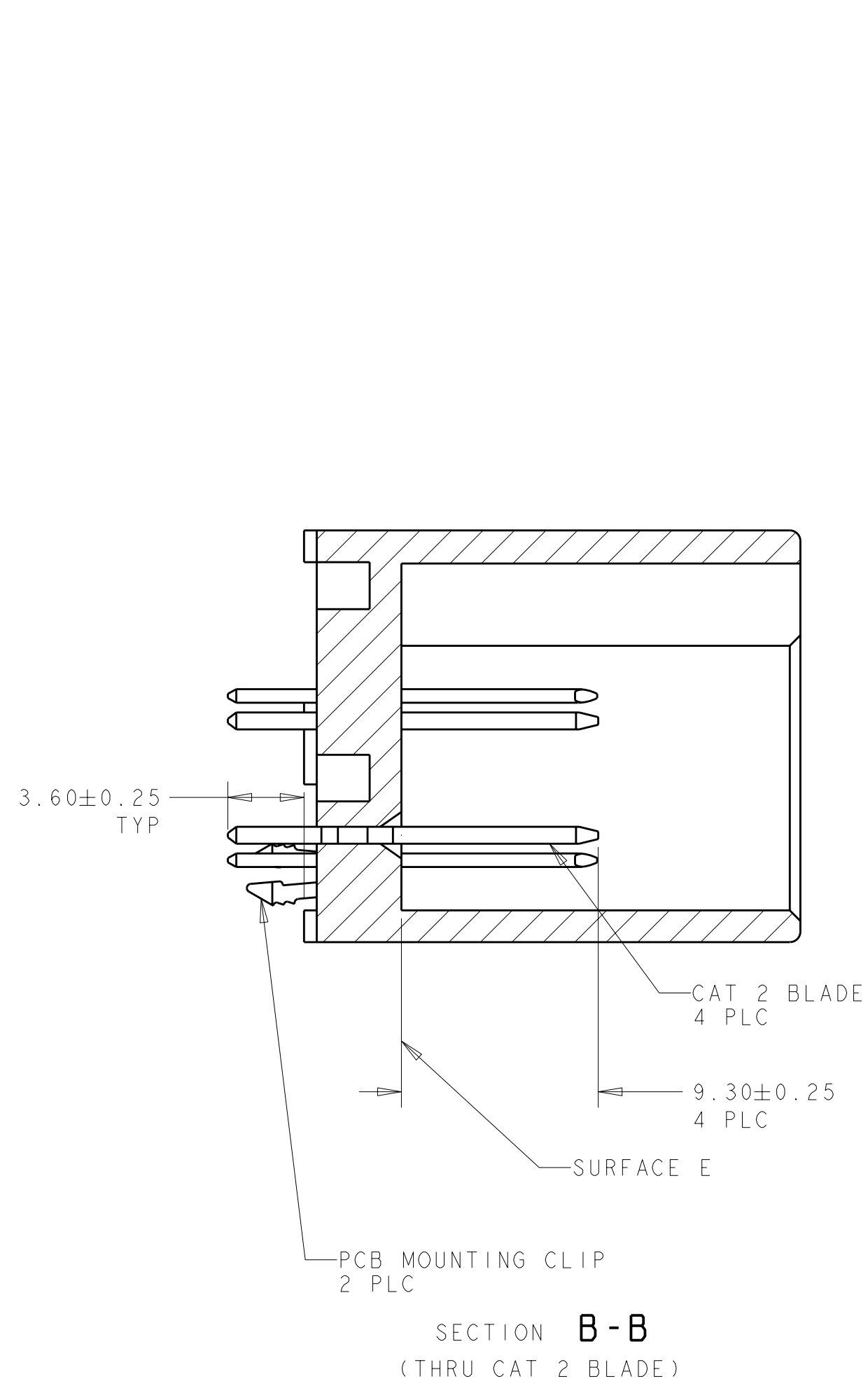


LOC	DIST	REVISIONS			
F	LTR	DESCRIPTION	DATE	DWN	APVD
0		REL PER PR 98044	11/19/98	dm	RC
01		REV PER EC 0K80-0153-03	23MAY2003	DA	CP
02		REV PER EC 0K80-0181-03	23MAY2003	DA	CP
03		REV PER ECR-07-029647	10JAN2008	JM	JM



- 1 MATERIAL: HEADER HOUSING-VALOX 508R, 30% GLASS  
COLOR-BLACK  
CAT 1 BLADES-0.64 THK C260 BRASS, H04 TEMPER  
CAT 2 BLADES-0.80 THK C260 BRASS, H04 TEMPER  
PCB MOUNTING CLIP-0.57 THK C260 BRASS, H04 TEMPER
- 2 FINISH: BLADES-0.00080-0.0016 THK TIN ON MATING END; 0.0038-0.0064 THK TIN ON SOLDER TAILS; ALL OVER 0.002 MIN THK NICKEL  
PCB MOUNTING CLIP-0.00203 - 0.00305 THK TIN OVER 0.00127 MIN THK NICKEL
- 3 Ø3.50 HOLES USED FOR OPTIONAL MOUNTING SCREWS
- 4. MATES WITH PLUG ASSEMBLIES 638082-1 & 638194-1
- 5 MEASURE AT SURFACE E

638203-1  
PART NUMBER

<small>THIS DRAWING IS A CONTROLLED DOCUMENT FOR AMP INCORPORATED. ALL DIMENSIONS ARE TO BE MEASURED TO THE CENTERLINE UNLESS OTHERWISE SPECIFIED.</small>		DWN: 10-Jan-08 CHK: R. GRAY 11/19/98 APVD: R. GRAY 11/19/98	AMP Incorporated Harrisburg, PA 17105-3608
DIMENSIONS: mm TOLERANCES UNLESS OTHERWISE SPECIFIED: 0 PLC ± 1 PLC ±0.2 2 PLC ±0.1 3 PLC ± 4 PLC ± ANGLES ±1°	PRODUCT SPEC APPLICATION SPEC WEIGHT CUSTOMER DRAWING	NAME: 36 POSITION HEADER ASSEMBLY SIZE: A1 CAGE CODE: 00779 DRAWING NO: 638203 SCALE: 4:1	SHEET 1 OF 1 REV 03