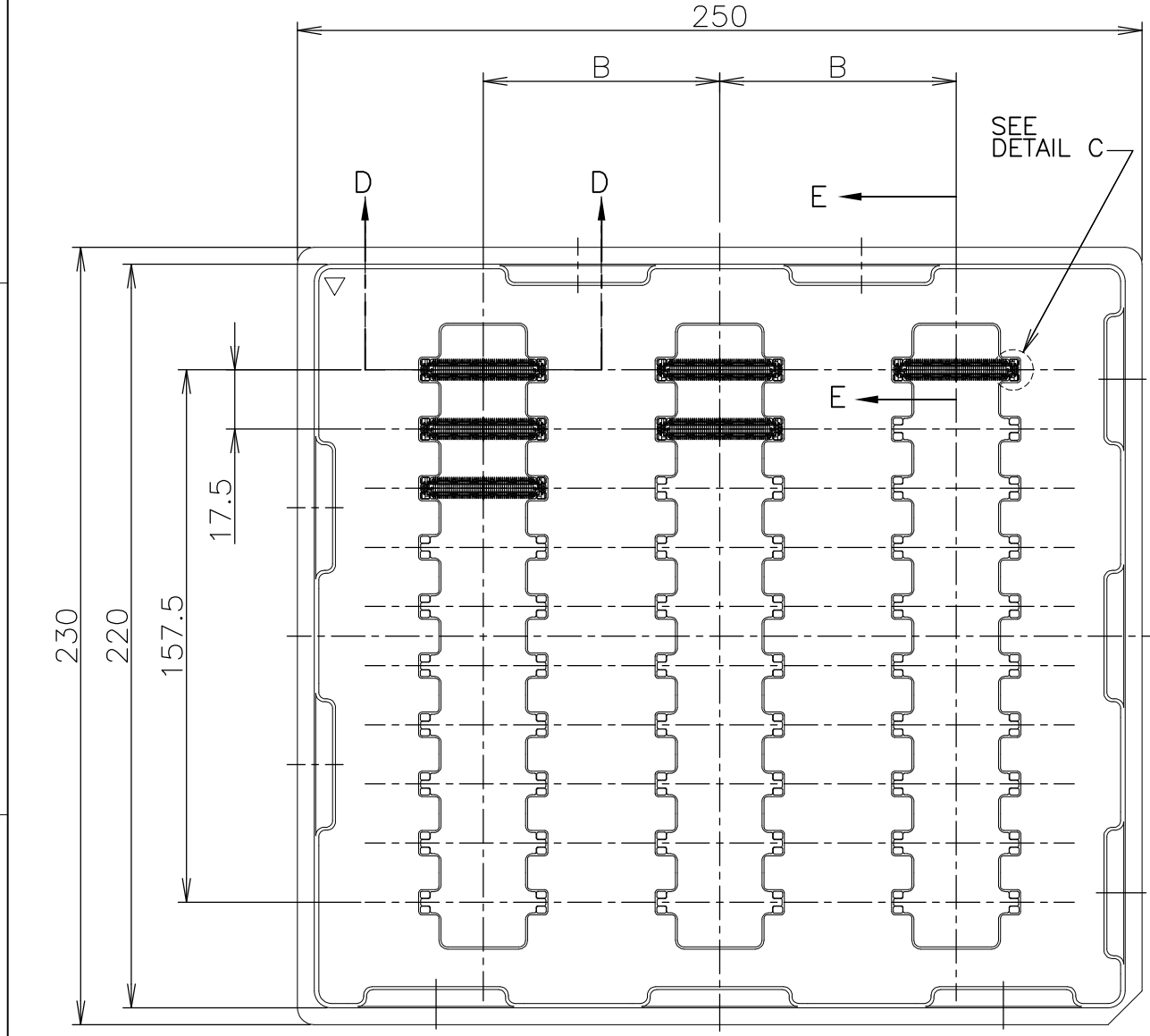


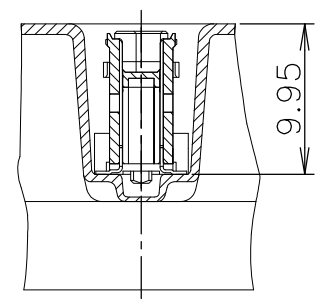
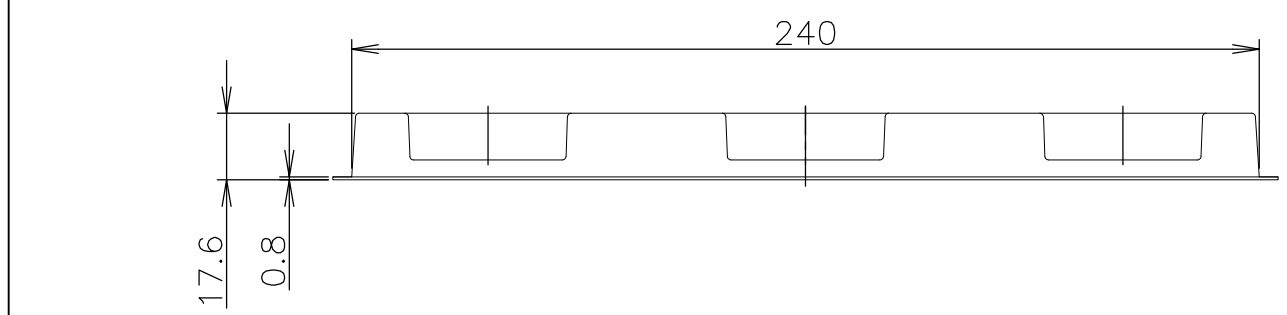
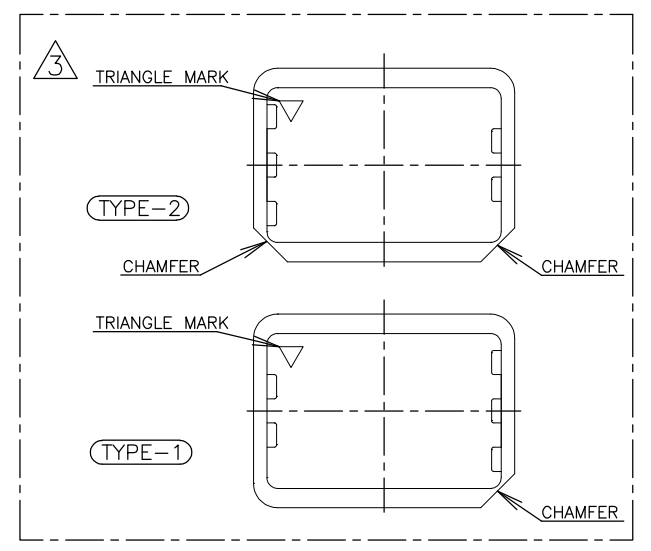
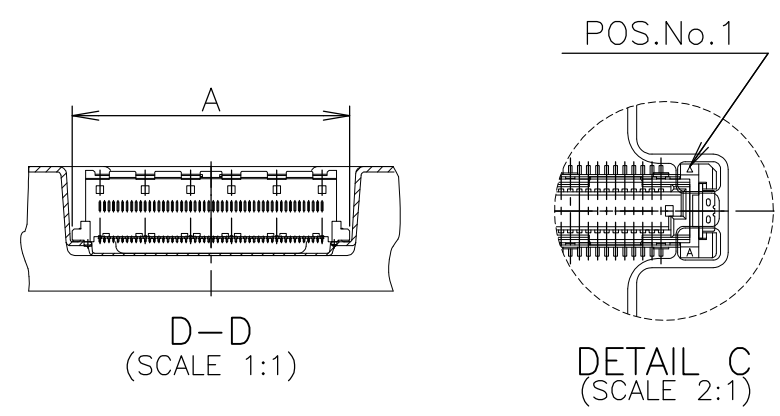
THIS DRAWING IS UNPUBLISHED. RELEASED FOR PUBLICATION OCT, 1999.
 © COPYRIGHT 1999 BY TYCO ELECTRONICS CORPORATION. ALL RIGHTS RESERVED.

LOC	DIST	REVISIONS			DATE	DWN	APVD
J		P	LTR	DESCRIPTION			
		A	REVISED	ECR-08-000339	01FEB08	T.T	T.F

AS SHOWN: TYPE-1



△ TRAY TYPE-1 AND TYPE-2 MUST BE
 PILED UP BY TURNS.
 (REFER TO PACKING SPECIFICATIONS)



SEALANT	TOOLING STATUS	ROW	QTY	B	A	POS.	TRAY P/N	PART NO.
↑	NOT AVAILABLE	3	30	70	54.7	160	3-912072-4	6-6376014-1
↑	↑	↑	↑	↑	48.7	140	7- ↑ -2	6- ↑ -0
↑	↑	↑	↑	↑	42.7	120	7- ↑ -1	5- ↑ -9
↑	↑	↑	↑	↑	36.7	100	7- ↑ -0	5- ↑ -8
↑	↑	↑	↑	↑	33.7	90	6- ↑ -9	5- ↑ -7
↑	↑	↑	↑	↑	30.7	80	6- ↑ -8	5- ↑ -6
↑	↑	↑	↑	↑	27.7	70	6- ↑ -7	5- ↑ -5
↑	↑	↑	↑	↑	24.7	60	6- ↑ -6	5- ↑ -4
↑	↑	↑	↑	↑	21.7	50	6- ↑ -5	5- ↑ -3
↑	↑	↑	↑	↑	18.7	40	6- ↑ -4	5- ↑ -2
↓	NOT AVAILABLE	5	50	43	15.7	30	6-912072-3	5-6376014-1
↓	AVAILABLE	3	30	70	54.7	160	3-912072-4	1-6376014-1
↓	NOT AVAILABLE	↑	↑	↑	48.7	140	7- ↑ -2	1- ↑ -0
↓	↑	↑	↑	↑	42.7	120	7- ↑ -1	↑ -9
↓	↑	↑	↑	↑	36.7	100	7- ↑ -0	↑ -8
↓	↑	↑	↑	↑	33.7	90	6- ↑ -9	↑ -7
↓	↑	↑	↑	↑	30.7	80	6- ↑ -8	↑ -6
↓	↑	↑	↑	↑	27.7	70	6- ↑ -7	↑ -5
↓	↑	↑	↑	↑	24.7	60	6- ↑ -6	↑ -4
↓	↑	↑	↑	↑	21.7	50	6- ↑ -5	↑ -3
↓	↑	↑	↑	↑	18.7	40	6- ↑ -4	↑ -2
↓	NOT AVAILABLE	5	50	43	15.7	30	6-912072-3	6376014-1

GENERAL TOLERANCE
 一般公差
 10 ≥ ±0.2
 30 ≥ >10: ±0.25
 100 ≥ >30: ±0.3
 ANGLES: ±3°

THIS DRAWING IS A CONTROLLED DOCUMENT.

DWN HAWKING HE 10DEC04
 CHK STEVEN YAO 10DEC04
 APVD I.ENOMOTO 10DEC04

Tyco Electronics Tyco Electronics Corporation
 Kawasaki, Japan

NAME 姓名
 PRODUCT SPEC 製品規格
 108-60047
 APPLICATION SPEC 取付適用規格
 114-5255

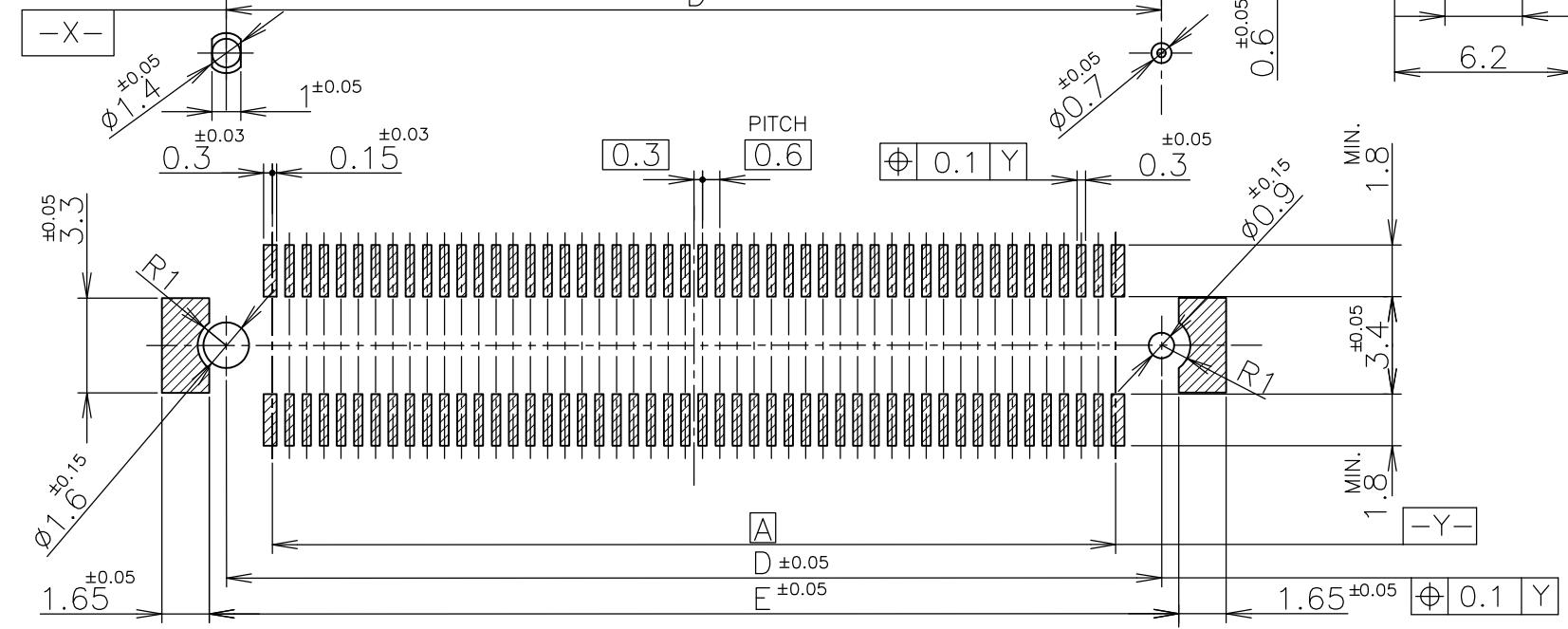
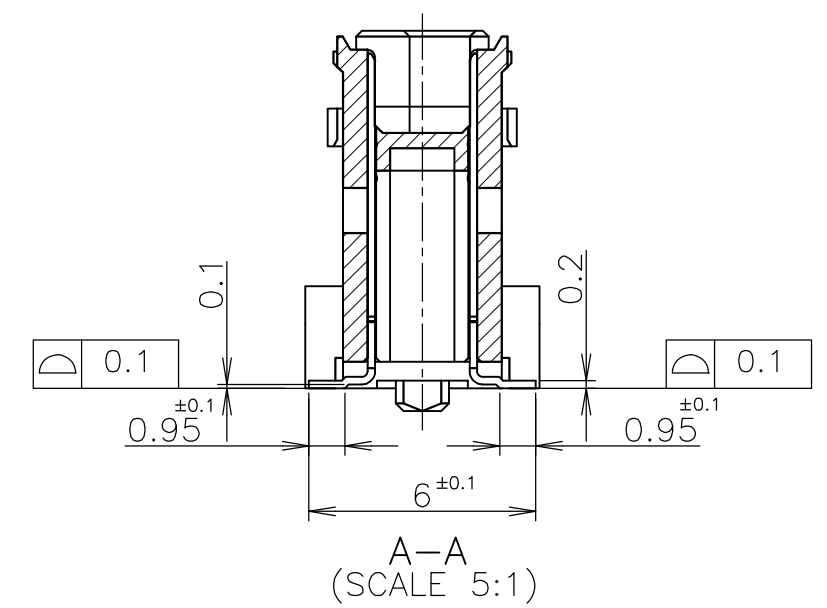
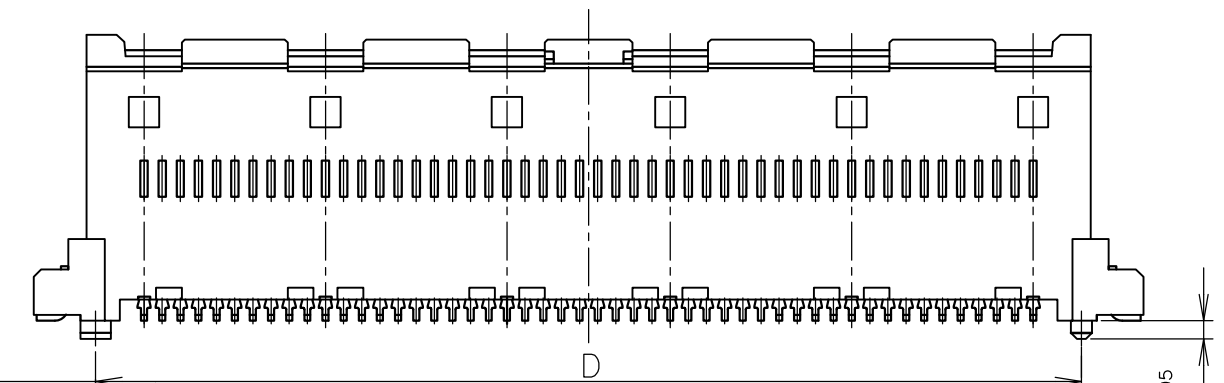
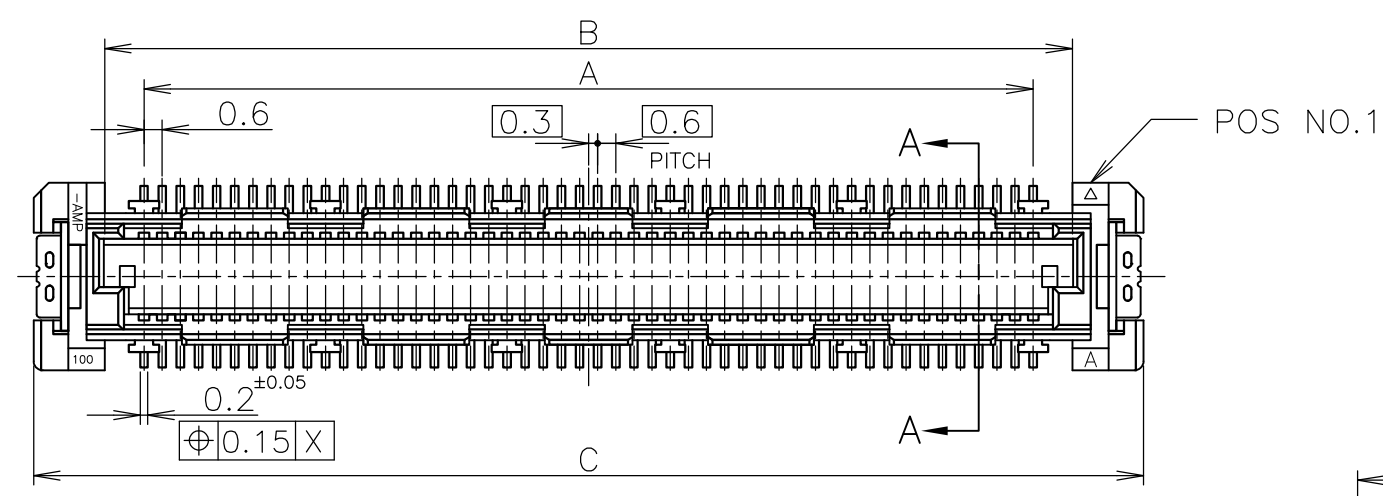
SOFT TRAY ASSY
 FH 0.6BTB CONNECTOR
 PLUG 10H STD

SIZE A3 CAGE CODE 00779 DRAWING NO. 番号 G-6376014 RESTRICTED TO

WEIGHT CUSTOMER DRAWING SCALE 尺度 1:2 SHEET 1 OF 2 REV A

THIS DRAWING IS UNPUBLISHED. RELEASED FOR PUBLICATION OCT, 1999.
 © COPYRIGHT 1999 BY TYCO ELECTRONICS CORPORATION. ALL RIGHTS RESERVED.

LOC	DIST	REVISIONS					
		P	LTR	DESCRIPTION	DATE	DWN	APVD
J			-	SEE SHEET 1	-	-	-



- ① MATERIAL ; HOUSING : HIGH TEMP THERMO PLASTIC UL94V-0
CONTACT : COPPER ALLOY
- ② FINISH ; UNDER PL Ni 0.0013mm MIN ALL OVER.
CONTACT AREA 0.0002 MIN Au PL.
SOLDERING AREA 0.001 MIN TIN PL.

AVAILABLE	51.8	50.6	54.7	50	47.4	160
NOT AVAILABLE	45.8	44.6	48.7	44	41.4	140
↑	39.8	38.6	42.7	38	35.4	120
	33.8	32.6	36.7	32	29.4	100
	30.8	29.6	33.7	29	26.4	90
	27.8	26.6	30.7	26	23.4	80
	24.8	23.6	27.7	23	20.4	70
	21.8	20.6	24.7	20	17.4	60
	18.8	17.6	21.7	17	14.4	50
	15.8	14.6	18.7	14	11.4	40
NOT AVAILABLE	12.8	11.6	15.7	11	8.4	30
TOOLING STATUS	E	D	C	B	A	POS

REFERENCE P.C.BOARD LAYOUT
(VIEW FROM CONN. MOUNTING SIDE)

GENERAL TOLERANCE
一般公差

10 ≥ ±0.2
30 ≥ >10: ±0.25
100 ≥ >30: ±0.3
ANGLES: ±3°

THIS DRAWING IS A CONTROLLED DOCUMENT.

DIMENSIONS: 单位: 耗 mm

TOLERANCES UNLESS OTHERWISE SPECIFIED: 一般公差

0 PLC ± -
1 PLC ± -
2 PLC ± -
3 PLC ± -
4 PLC ± -
ANGLES ± -

MATERIAL 材料

FINISH 仕上

DWN
CHK
APVD
PRODUCT SPEC 製品規格
APPLICATION SPEC 取付適用規格
WEIGHT

Tyco Electronics Tyco Electronics Corporation
Kawasaki, Japan

NAME 名称
SOFT TRAY ASSY
FH 0.6BTB CONNECTOR
PLUG 10H STD

SIZE A3 CAGE CODE 00779 DRAWING NO 番号 G-6376014 RESTRICTED TO

CUSTOMER DRAWING SCALE 尺度 4:1 SHEET 2 OF 2 REV A