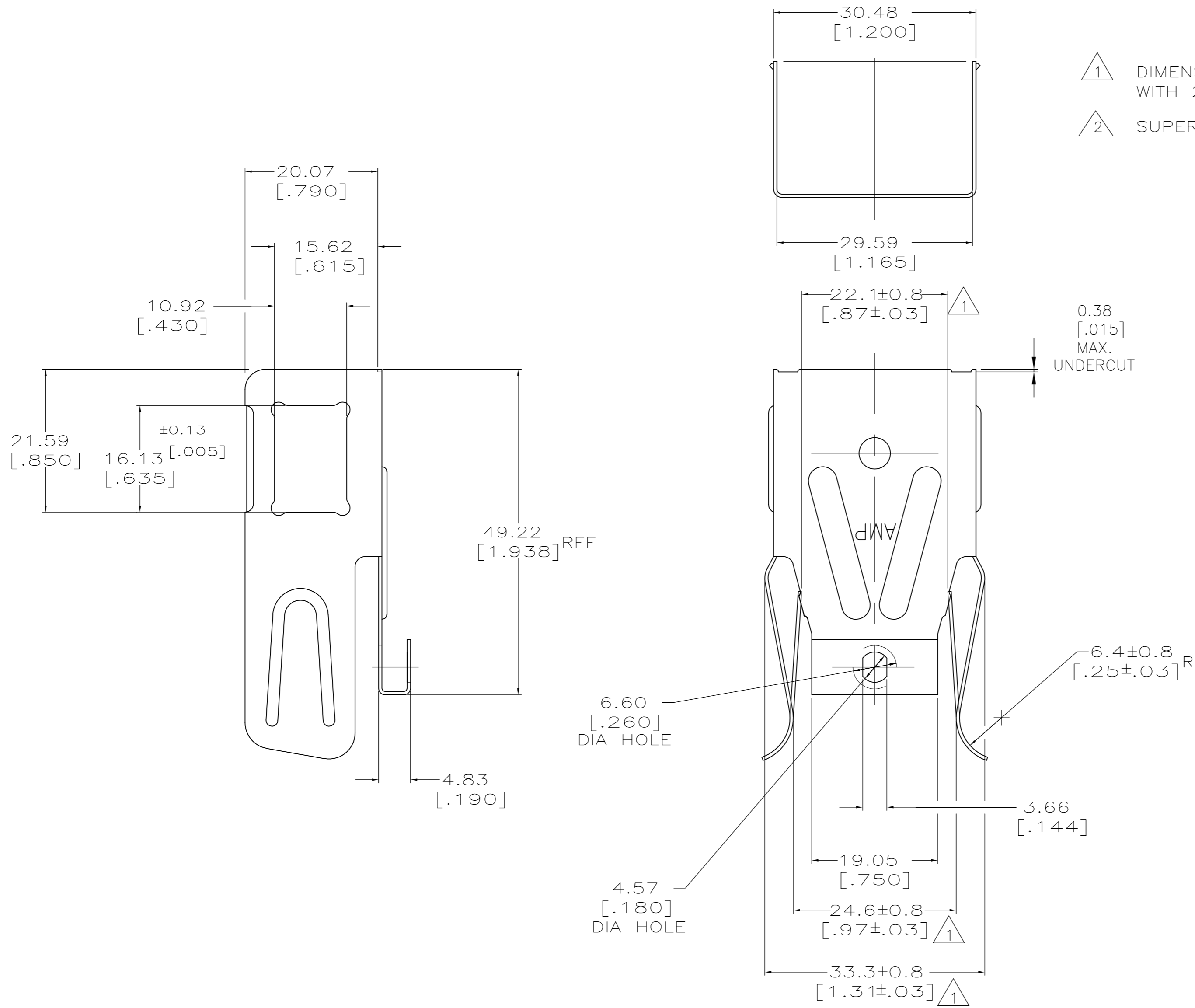


THIS DRAWING IS UNPUBLISHED. RELEASED FOR PUBLICATION
 © COPYRIGHT BY TYCO ELECTRONICS CORPORATION. ALL RIGHTS RESERVED.

LOC	DIST	REVISIONS					
		P	LTR	DESCRIPTION	DATE	DWN	APVD
AF	50	C1		REVISED PER ECR-08-012911	22MAY08	HMR	CJ
		C2		REVISED PER ECR-15-017388	08DEC15	JJ	TD



OBsolete 63673-1
 PART NO

THIS DRAWING IS A CONTROLLED DOCUMENT.		DWN	P FORTNEY	9/1/92	Tyco Electronics Corporation Harrisburg, PA 17105-3608		
DIMENSIONS: mm [INCHES]		CHK	JR RUTH	9/1/92	NAME		
TOLERANCES UNLESS OTHERWISE SPECIFIED:		APVD	D DECKER	9/1/92	PRODUCT SPEC		
0 PLC ± -		APPLICATION SPEC		114-1028			
1 PLC ± -		WEIGHT		-			
2 PLC ± 0.25 [.010]		MATERIAL		1/4 HARD STAINLESS STEEL			
3 PLC ± -		FINISH		-			
4 PLC ± -		CUSTOMER DRAWING		SCALE 2:1 SHEET 1 OF 1 REV C2			
ANGLES ± -		SIZE		A2 00779 C=63673			
RESTRICTED TO		-					