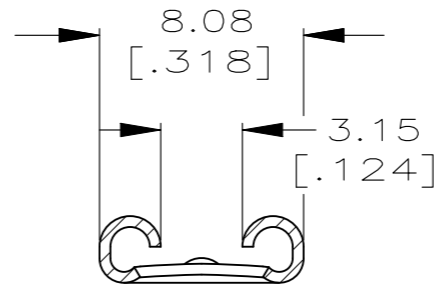
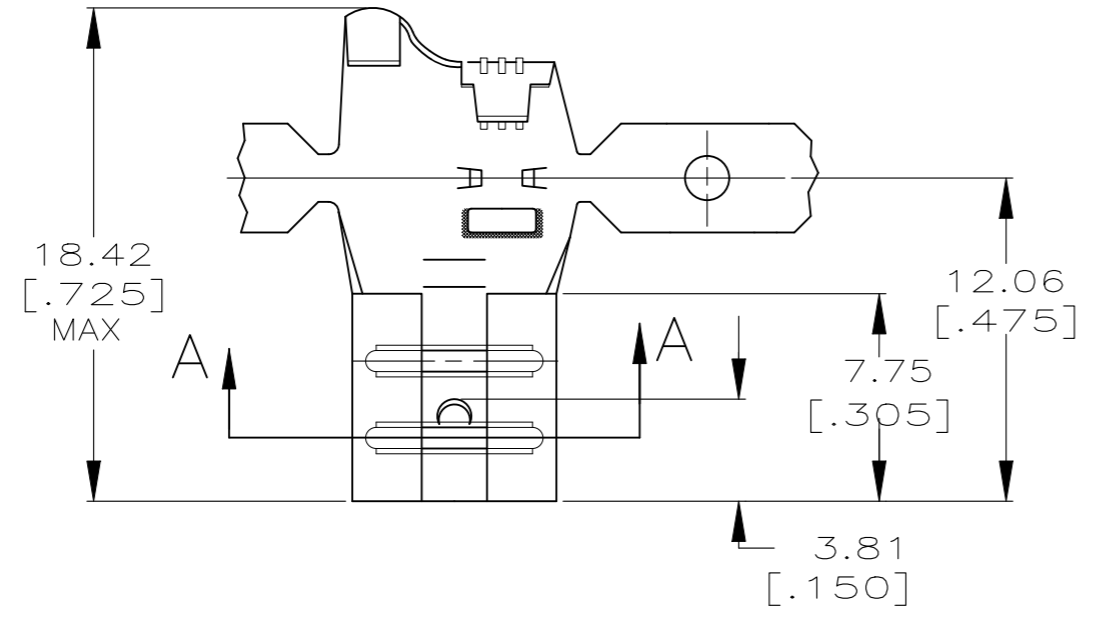


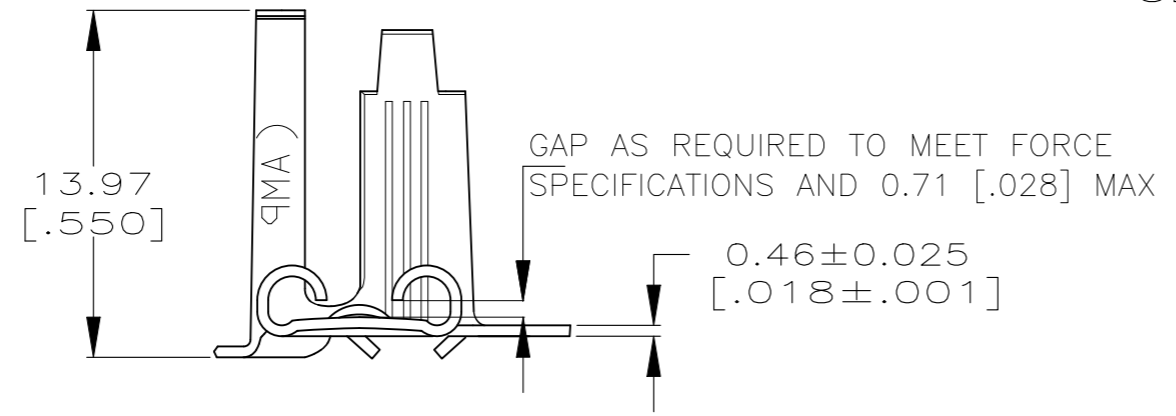
© - TE Connectivity. All Rights Reserved.

REVISIONS				
P	LTR	DESCRIPTION	DATE	APVD
F2		REVISED PER ECR-24-204693	06MAY2024	DK RE

- 1 CONTINUOUS STRIP ON REELS
- 2 WIRE SIZE IS 6,000-10,000 CMS [12-10] AWG
- 3 INSULATION RANGE IS 2.79-6.73 [.110-.265] DIA
- 4 MATING TAB THK IS 0.84-0.76 [.033-.030].
- △5 PRELIMINARY - NOT FOR PRODUCTION



SECTION A-A
SCALE 10:1



0.002032 [.000080] MIN TIN	△5 63617-2
OBSOLETE	-63617-1
FINISH	PART NO.

THIS DRAWING IS A CONTROLLED DOCUMENT.		DWN	JR RUTH	8/15/91	TE Connectivity
DIMENSIONS: mm [INCHES]		CHK	P FORTNEY	8/15/91	
TOLERANCES UNLESS OTHERWISE SPECIFIED: 0 PLC ± - 1 PLC ± - 2 PLC ± 0.25 [.010] 3 PLC ± - 4 PLC ± - ANGLES ± -		APVD	C MEYERS	8/15/91	
MATERIAL	BRASS	FINISH	SEE TABLE	WEIGHT	0.000000
		NAME		RECEPTACLE, FASTON, FLAG, 6.35 [.250] SERIES	
		SIZE	A3	CAGE CODE	00779
		DRAWING NO		C-63617	
		CUSTOMER DRAWING		RESTRICTED TO	-
		SCALE	4:1	SHEET	1 OF 1
				REV	F2