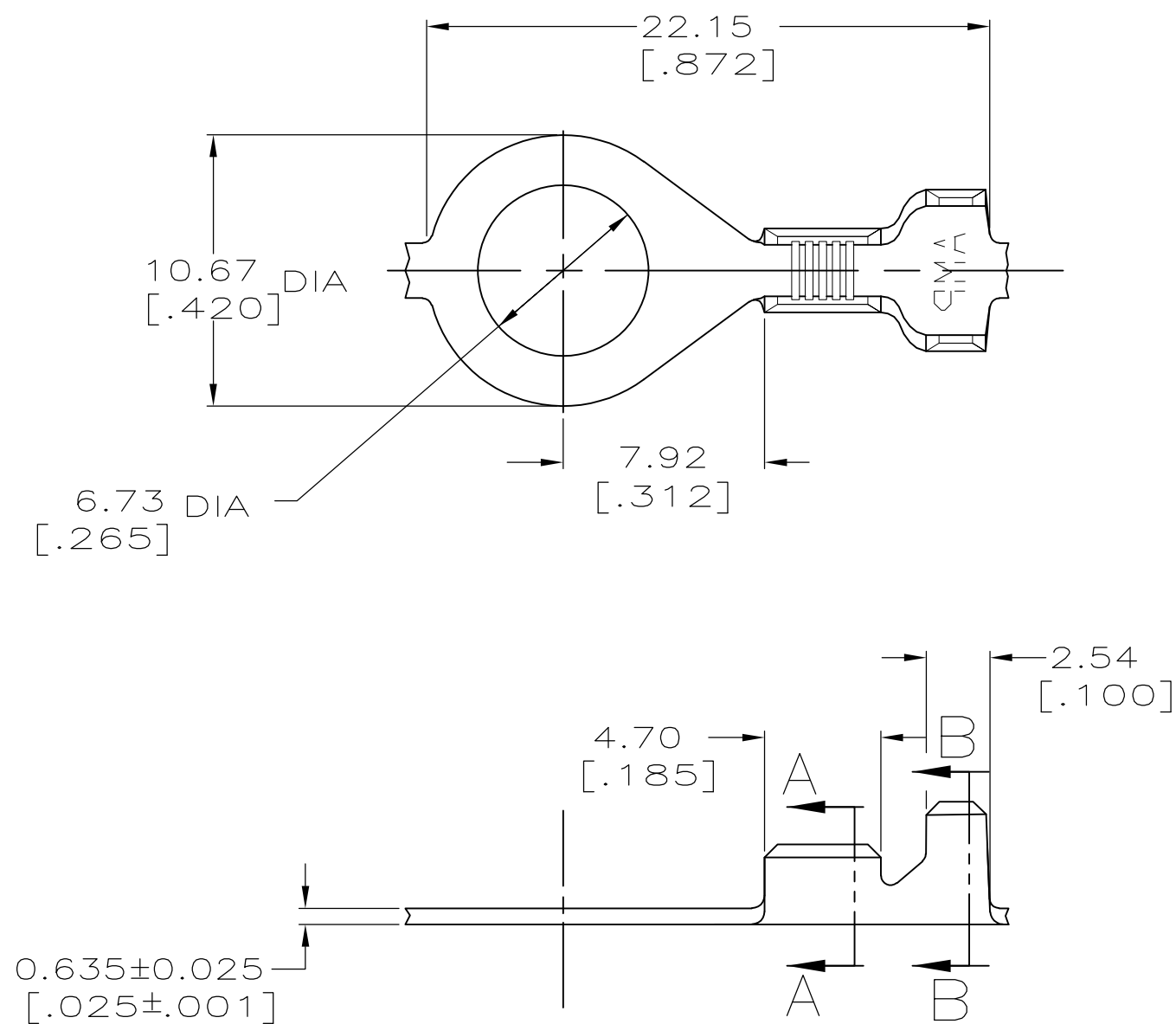
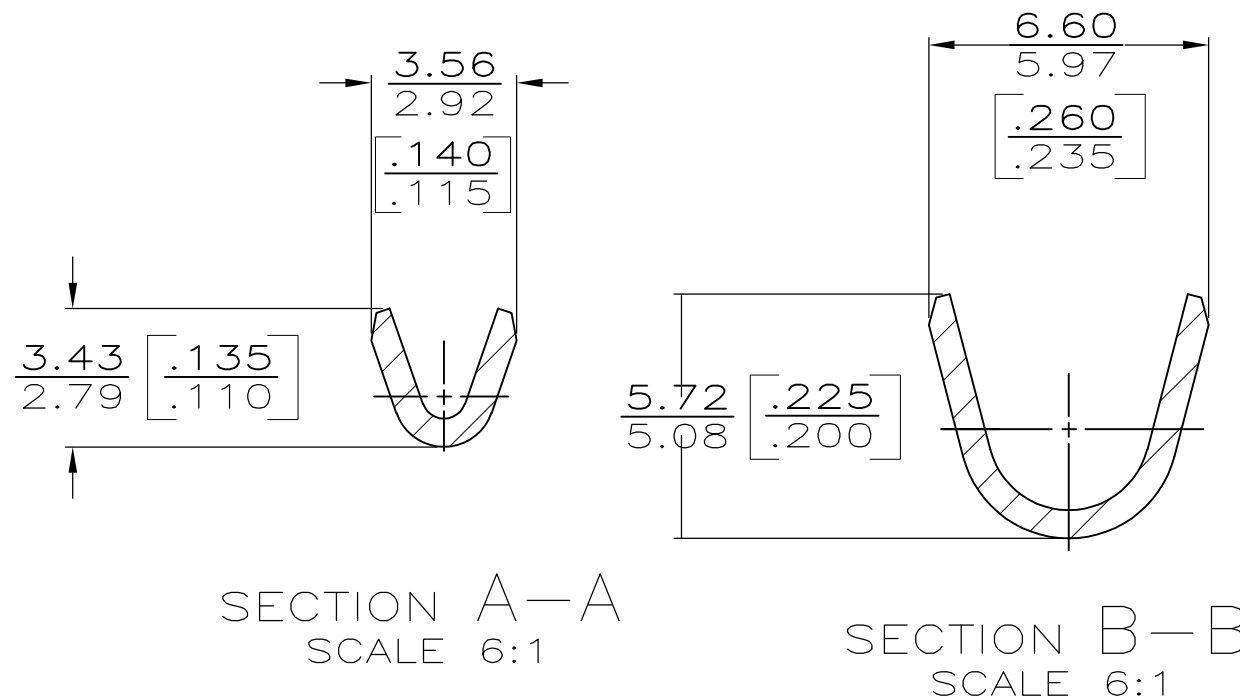


THIS DRAWING IS UNPUBLISHED. RELEASED FOR PUBLICATION, 19
 © COPYRIGHT 19 BY AMP INCORPORATED. ALL INTERNATIONAL RIGHTS RESERVED.

LOC	DIST	P	F	ZONE	LTR	REVISIONS	DATE	APPD
AF	50				D	REVISE PER ECR-13-013738	15FEB2014	GRZ/JL



- 1 CONTINUOUS STRIP ON REELS.
- 2 REELED WITH PAPER INTERLEAF.



METRIC

3.18-4.19 DIA [.125-.165]	0.3 -0.8mm [22-18] AWG	63612-1
INSULATION RANGE	WIRE RANGE	PART NO

F OR O	5.59 [.220]	F	2.54 [.100]	1.57 [.062]	0.8mm [18]
				1.47 [.058]	0.5mm [20]
				1.42 [.056]	0.3mm [22]
TYPE	WIDTH	TYPE	WIDTH	±0.051 [±.002] HEIGHT	WIRE
INSUL BARREL CRIMP		WIRE BARREL CRIMP			

DO NOT SCALE PRINT. UNLESS SPECIFIED DIMENSIONS IN mm [INCHES] TOLERANCES ON: 2 PLC DEC ± 0.25 [.010] 3 PLC DEC ± - ANGLES ± -	DR 1/10/91 P FORTNEY
MATERIAL BRASS	CHK 1/14/91 MS FEHER
FINISH 0.002032 [.000080] MIN TIN PL PER MIL-T-10727	APPD 1/14/91 G YETTER
	APPD 1/14/91 R WEAVILL
	PRODUCT SPEC -
	APPLICATION SPEC -
	WEIGHT -

AMP AMP Incorporated Harrisburg, PA 17105-3608		
NAME RING, AMPLIVAR™		
SIZE B	CAGE CODE 00779	DRAWING NO 63612
SCALE 4:1	SHEET 1 OF 1	