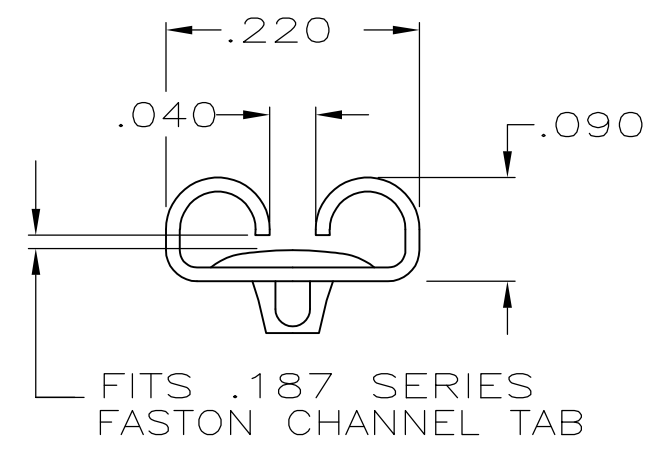
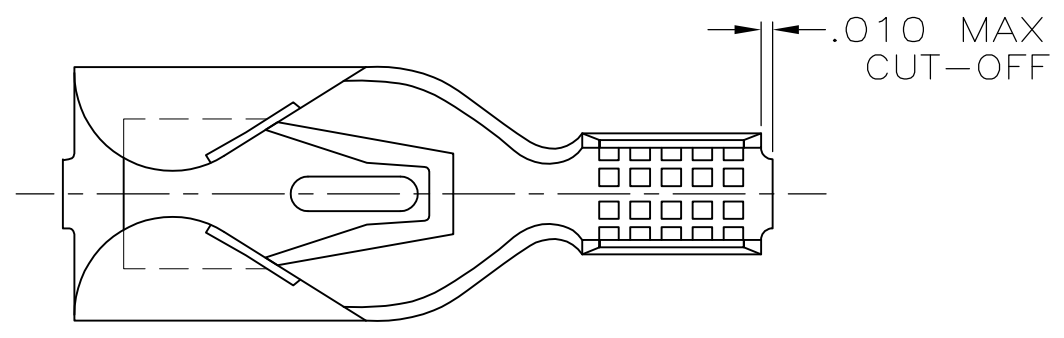


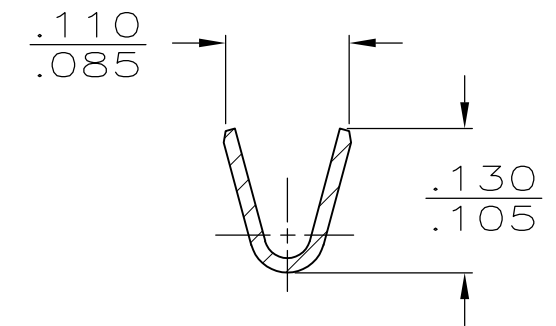
THIS DRAWING IS UNPUBLISHED. RELEASED FOR PUBLICATION  
 © COPYRIGHT - By - ALL RIGHTS RESERVED.

LOC	DIST	REVISIONS					
AF	50	P	LTR	DESCRIPTION	DATE	DWN	APVD
		C		REVISED PER ECR-13-005733	26AUG2013	KH	PD

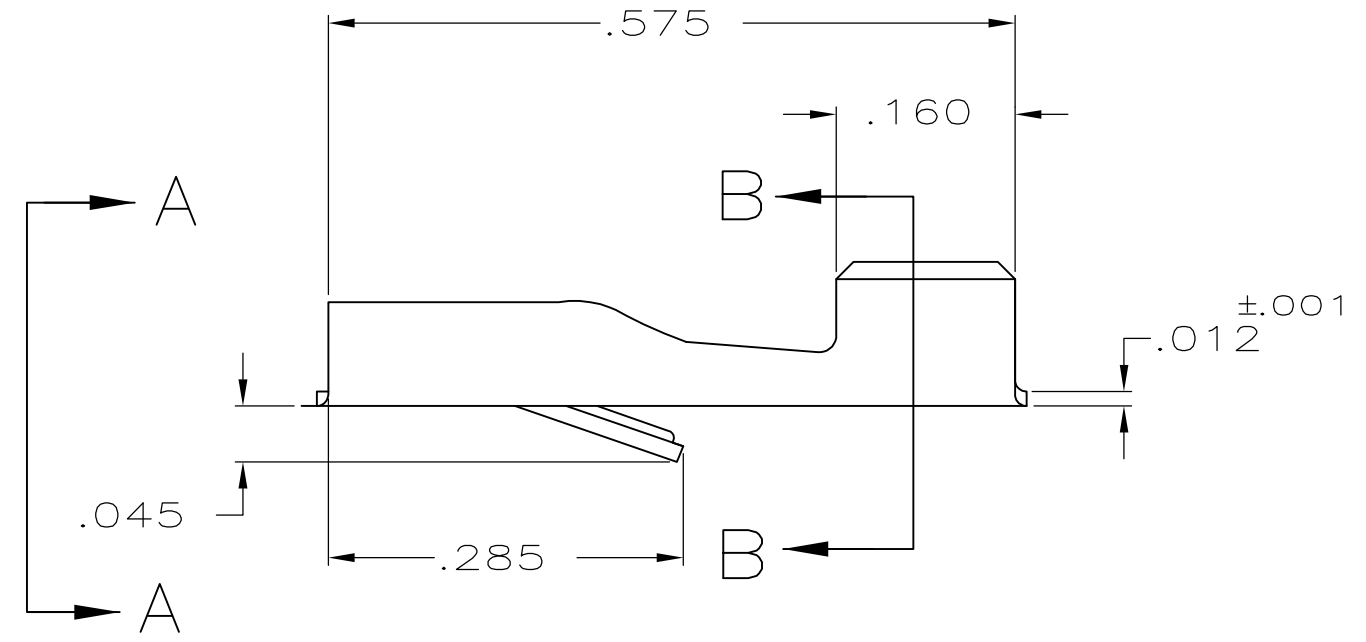
1 CONTINUOUS STRIP ON REEL



VIEW A-A



SECTION B-B



.188	F	.080	.060	16
			.052	18
			.047	20
STRIP LENGTH ±.015	TYPE	WIDTH	±.002 HEIGHT	WIRE
WIRE BARREL CRIMP				

THIS DRAWING IS A CONTROLLED DOCUMENT.	
DIMENSIONS: INCHES	TOLERANCES UNLESS OTHERWISE SPECIFIED:
	0 PLC ± -
	1 PLC ± -
	2 PLC ± -
	3 PLC ± .010
	4 PLC ± -
	ANGLES ± -
MATERIAL: BRASS	FINISH: PRE-TIN

DWN: JR RUTH 2/18/89
CHK: MS FEHER 2/18/89
APVD: J GILLESPIE 2/18/89
PRODUCT SPEC: R KUZO 2/18/89
APPLICATION SPEC: 114-2065
WEIGHT: -
CUSTOMER DRAWING

.020		63521-1	
MATING TAB THK ±.001		PART NO	
<b>STE</b> TE Connectivity			
RECEPTACLE, FASTIN-FASTON, .187 SERIES			
SIZE: A3	CAGE CODE: 00779	DRAWING NO: C-63521	RESTRICTED TO: -
SCALE: 6:1		SHEET: 1 OF 1	REV: C