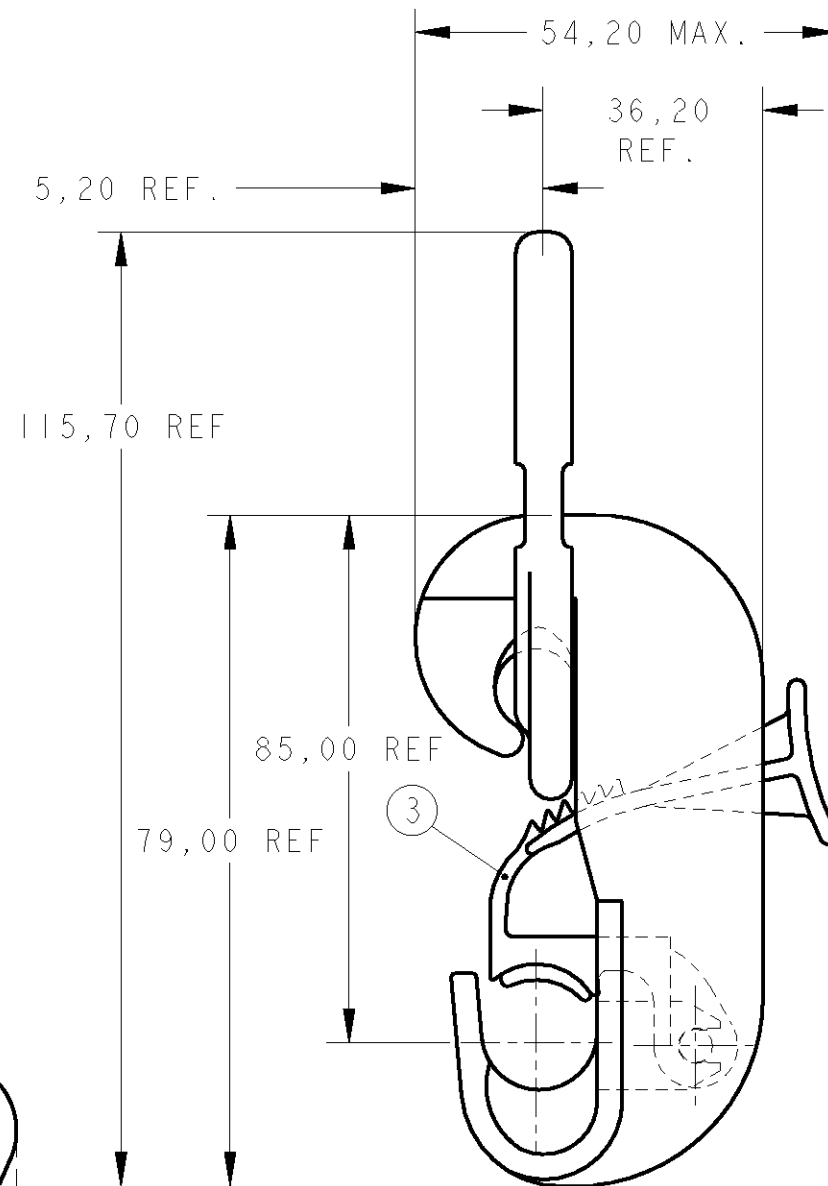
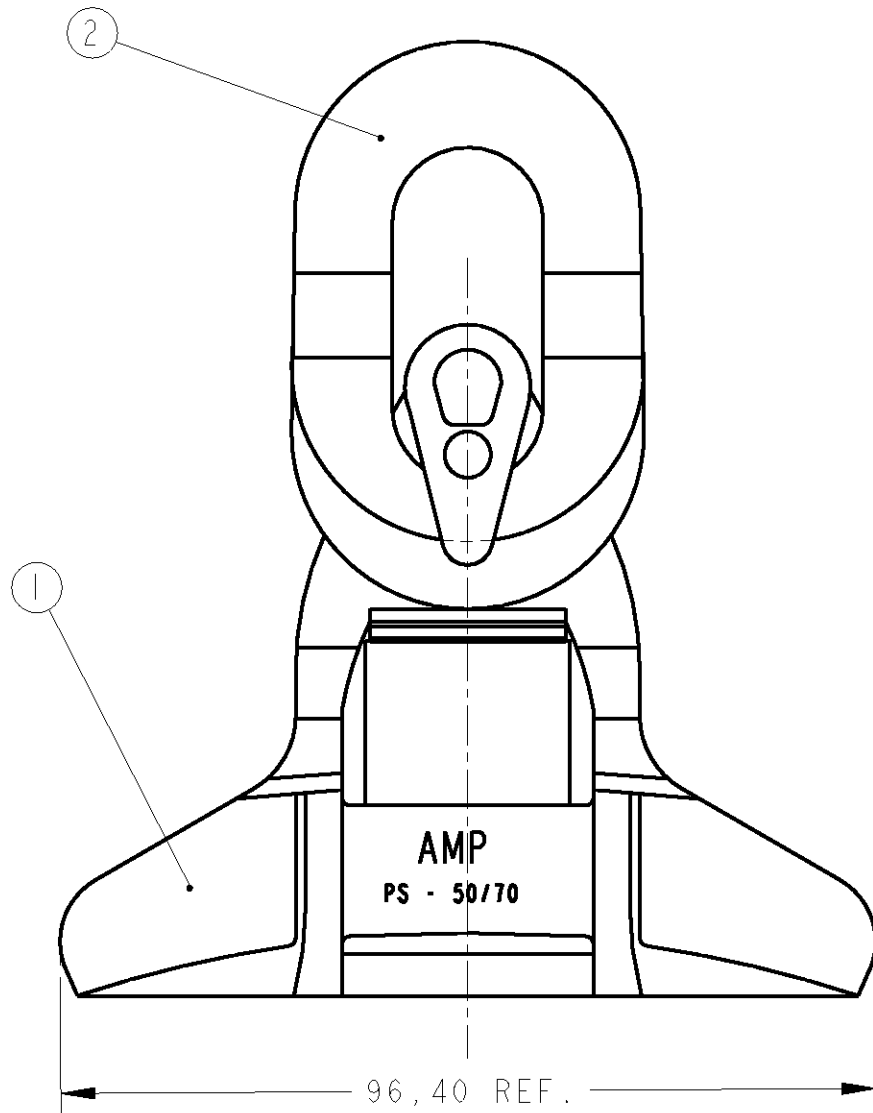


THIS DRAWING IS UNPUBLISHED. RELEASED FOR PUBLICATION 20
 © COPYRIGHT 20 BY TYCO ELECTRONICS CORPORATION. ALL RIGHTS RESERVED.

LOC	DIST	REVISIONS			
P	LTR	DESCRIPTION	DATE	DWN	APVD
AP	-	CI	LB00-0233-01	28MAY01	LMB JALS
		D	REVISED BY EC LE10-0145/04	09AUG2004	GO WB



- 1 - COMPLY WITH ESEBA SPECIFICATION
25 ASSEMBLIES PER BOX
- 2 - COMPLY WITH EDENOR Nr. 3039 SPECIFICATION
25 ASSEMBLY PER BOX
- 3 - COMPLY WITH ESEBA SPECIFICATION
50 ASSEMBLIES PER BOX
- 1 - CUMPRE COM A ESPECIFICAÇÃO ESBA
EMBALADO COM 25 PEÇAS POR CAIXA
- 2 - CUMPRE COM A ESPECIFICAÇÃO EDENOR Nº 3039
EMBALADO COM 25 PEÇAS POR CAIXA
- 3 - CUMPRE COM A ESPECIFICAÇÃO ESEBA
EMBALADO COM 50 PEÇAS POR CAIXA

P/N	DESCRIPTION	MATERIAL	QTY.	
635115-3 (400 daN)	3 CLAMP	THERMOPLASTIC WEATHER RESISTANT BLACK COLOR	1	
635115-1 (400 daN)	2 FUSE LINK		1	
635115-2 (500 daN)	1 BODY SUSPENSION CLAMP		1	
3 P/N	ITEM	DESCRIPTION	MATERIAL	QTY.

<small>THIS DRAWING IS A CONTROLLED DOCUMENT FOR TYCO ELECTRONICS CORPORATION IT IS SUBJECT TO CHANGE AND THE CONTROLLING ENGINEERING ORGANIZATION SHOULD BE CONTACTED FOR THE LATEST REVISION.</small>		DWN 28MAY01 E.J.G.DA SILVA CHK 28MAY01 L.O.M.BORELLI APVD 28MAY01 J.A.IA.SALVIA		tyco Electronics Tyco Electronics Brasil Ltda. São Paulo - Brasil	
DIMENSIONS: mm		TOLERANCES UNLESS OTHERWISE SPECIFIED: 0 PLC ± 1 PLC ± 2 PLC ± 3 PLC ± 4 PLC ± ANGLES ± FINISH -		NAME SUSPENSION CLAMP ASS'Y	
MATERIAL SEE TABLE		PRODUCT SPEC - APPLICATION SPEC - WEIGHT -		SIZE A3 CAGE CODE 00779 DRAWING NO C-635115 RESTRICTED TO -	
CUSTOMER DRAWING				SCALE SHEET OF REV D	