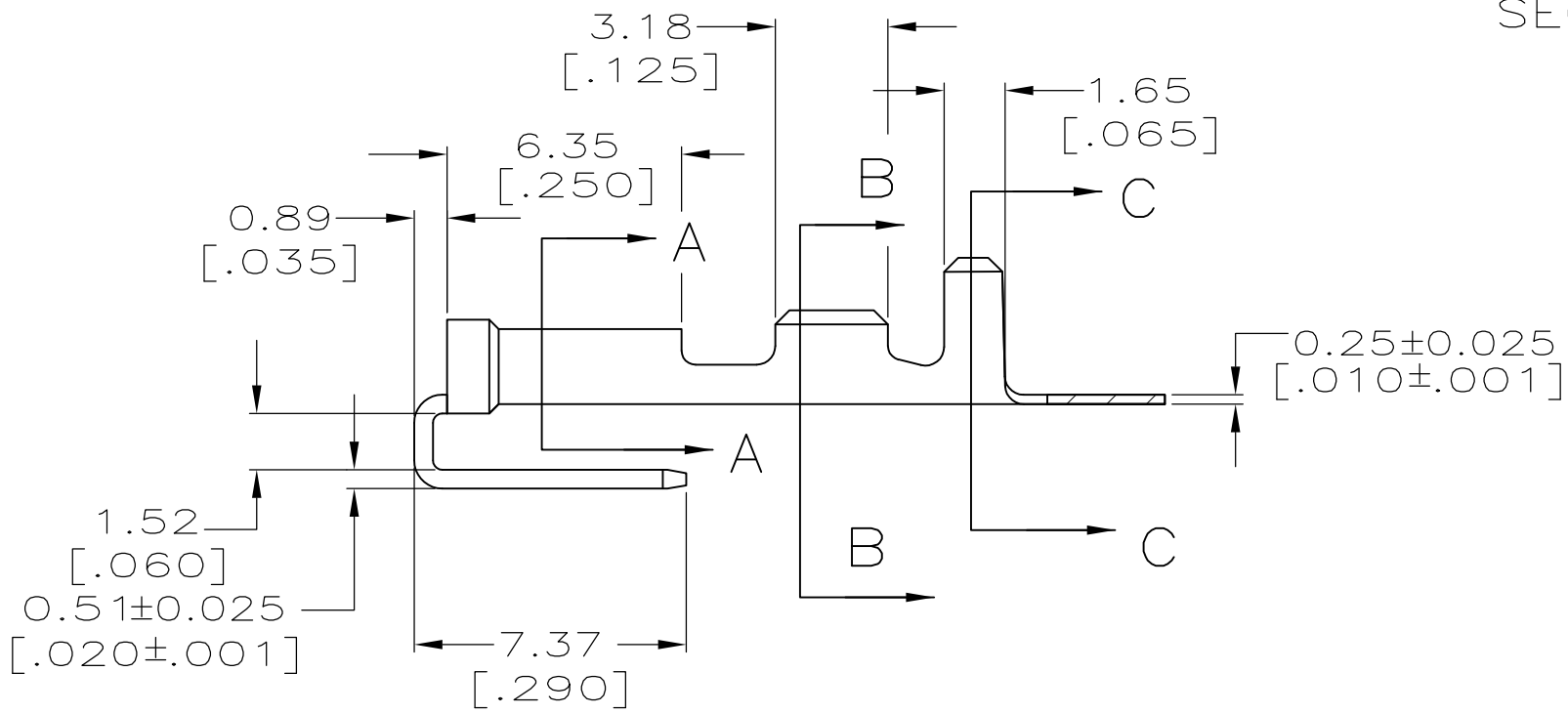
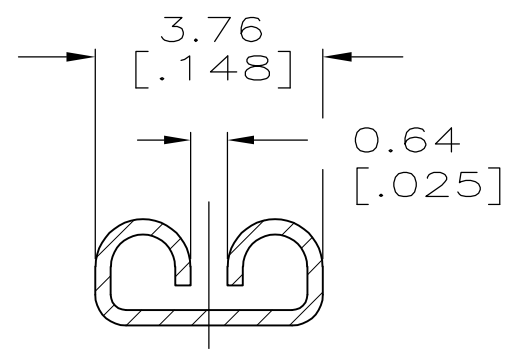
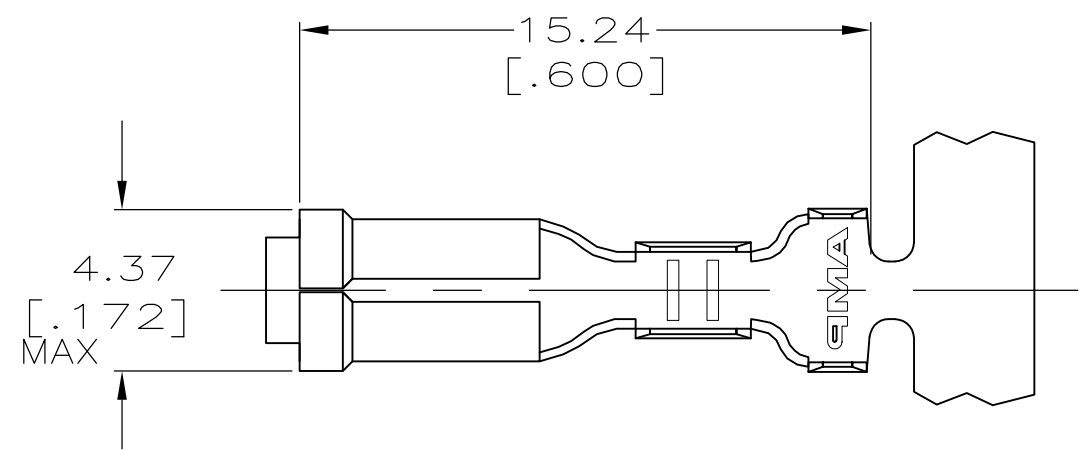


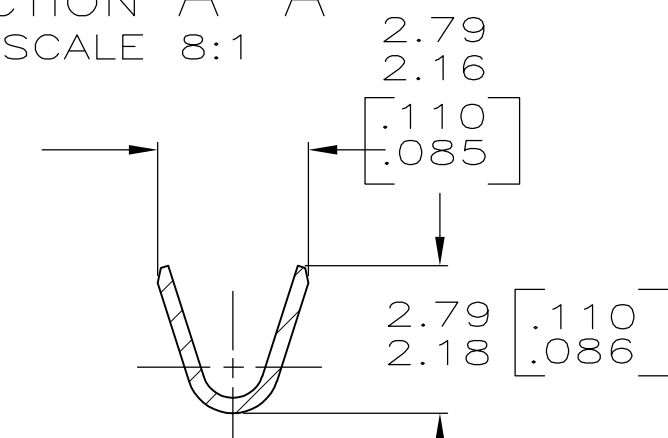
THIS DRAWING IS UNPUBLISHED. RELEASED FOR PUBLICATION
 © COPYRIGHT - By - ALL RIGHTS RESERVED.

REVISIONS					
P	LTR	DESCRIPTION	DATE	DWN	APVD
	F1	REVISED PER ECR-15-016360	10MAR2016	NK	LP

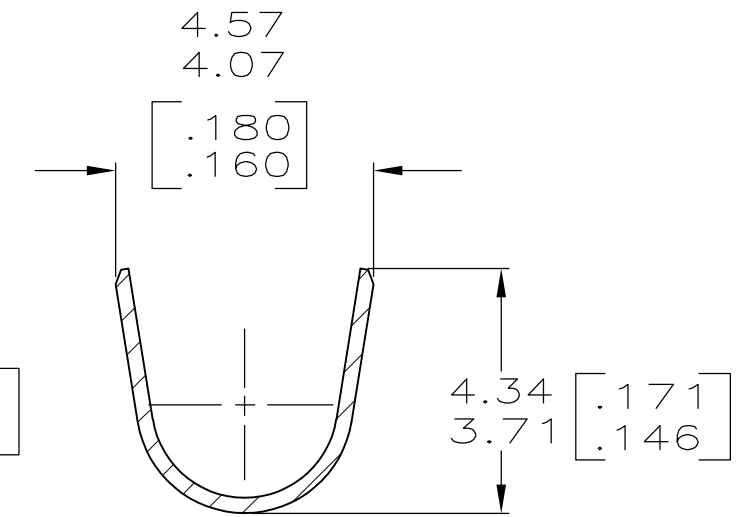
- 1 CONTINUOUS STRIP ON REELS.
- 2 FIRST INSERTION 10 LBS MAX. FIRST EXTRACTION 2 LBS MIN. USE TEST TAB 1-62061-0
- 3 MATING TAB THK 0.46 ± 0.025 $[\.018 \pm .001]$.
- 4 WIRE SIZE IS $[22-18]$ AWG
- 5 INSULATION RANGE 2.03-3.05 DIA $[\.080-.120]$ DIA.
- 6 PRELIMINARY - NOT FOR PRODUCTION



SECTION A-A
SCALE 8:1



SECTION B-B
SCALE 8:1



SECTION C-C
SCALE 8:1

	0.00203 $[\.000080]$ MIN TIN	63242-2
OBSOLETE	-	63242-1
	FINISH	PART NO

THIS DRAWING IS A CONTROLLED DOCUMENT.		DWN JR RUTH 5/16/95	TE Connectivity		
DIMENSIONS: mm [INCHES]		CHK MS FEHER 5/16/95			
TOLERANCES UNLESS OTHERWISE SPECIFIED:		APVD P DESANTIS 5/16/95	NAME RECEPTACLE, FASTON, PIGGYBACK, 2.79 $[\.110]$ SERIES		
		PRODUCT SPEC -	SIZE A3	CAGE CODE 00779	DRAWING NO C-63242
MATERIAL BRASS		FINISH SEE TABLE	APPLICATION SPEC -	RESTRICTED TO -	
CUSTOMER DRAWING			WEIGHT	SCALE 5:1	SHEET 1 OF 1
				REV F1	