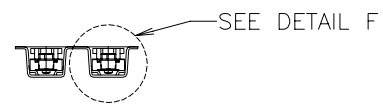
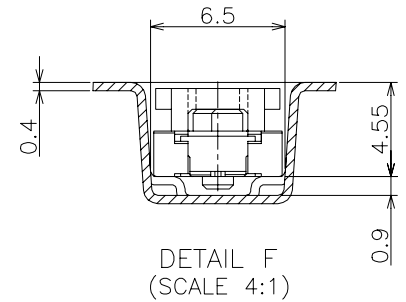
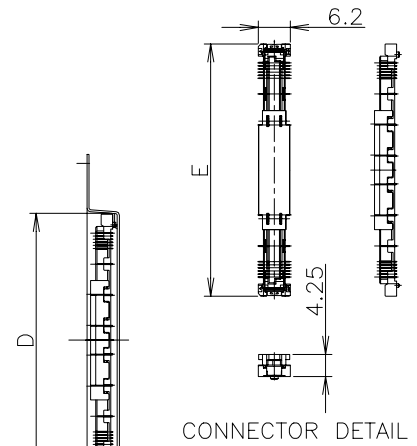
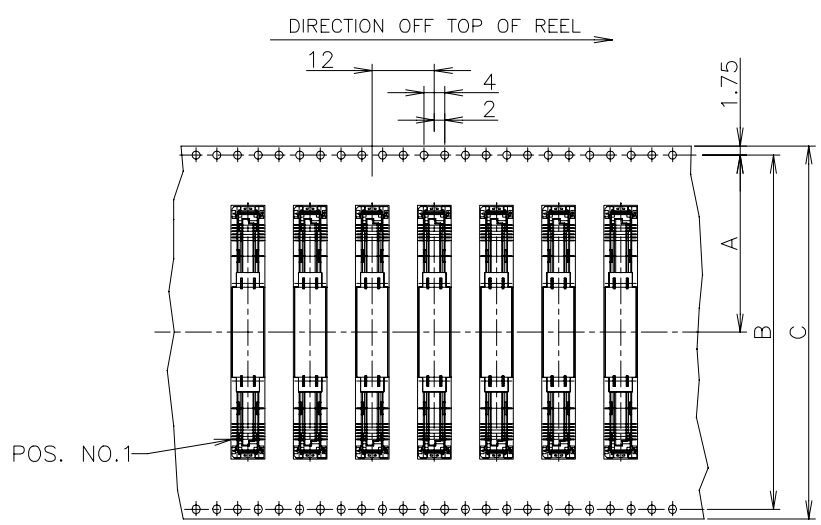
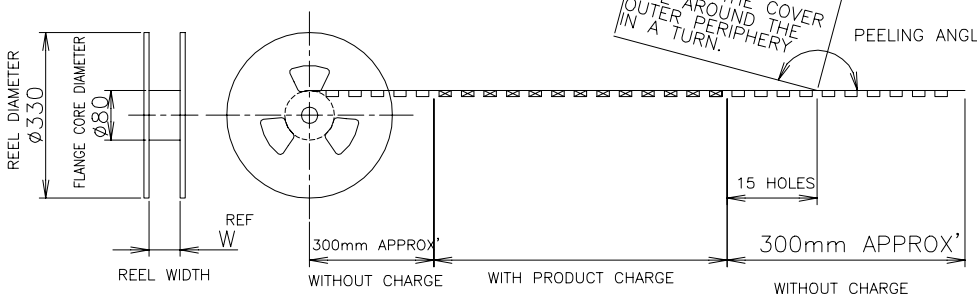


REVISIONS					
變更					
P	LTR	DESCRIPTION	DATE	DWN	APVD
	B	ECO-20-017853: G-CONTACT TAIL GOLD FLASH	18DEC2020	A.L	H.L



WEEDING THE COVER TAPE AROUND THE OUTER PERIPHERY IN A TURN.
PEELING ANGLE 165°~180°



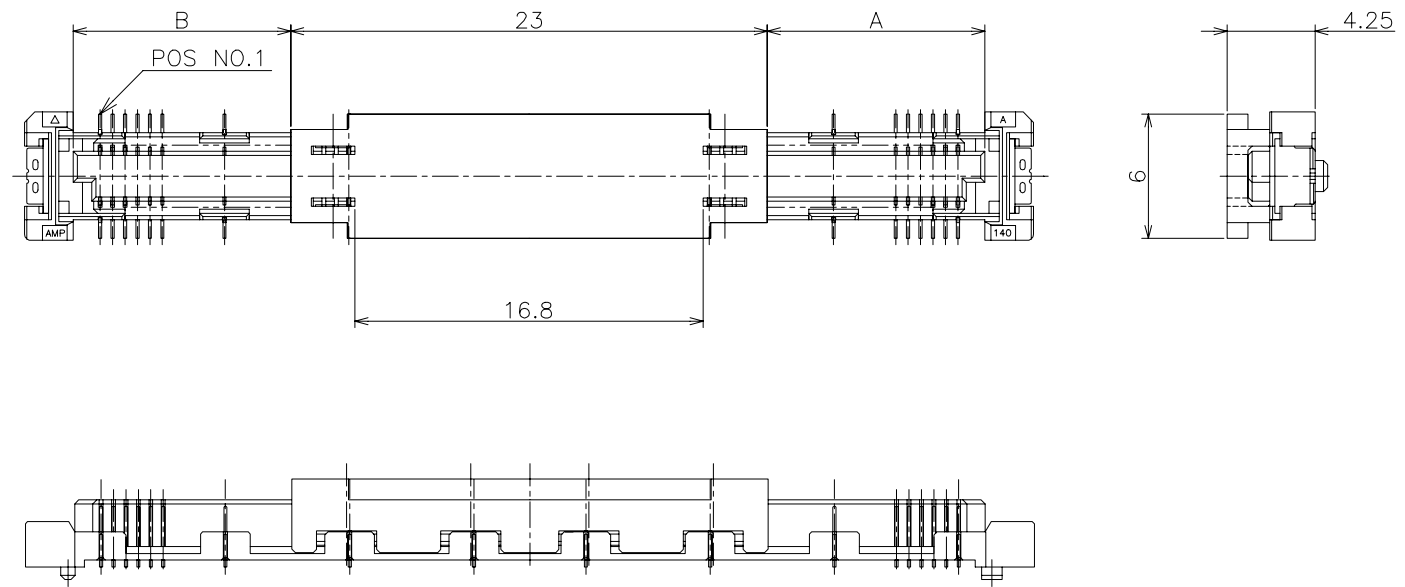
SEALANT	TOOLING STATUS	QTY.	W	E	D	C	B	A	POS.	PART NO.
NOT AVAILABLE	↑	1000	77.5	54.7	55	72	68.4	34.2	160	
NOT AVAILABLE	↑	1000	77.5	48.7	49	72	68.4	34.2	140	
NOT AVAILABLE	↑	1000	61.5	42.7	43	56	52.4	26.2	120	
AVAILABLE	↑	950	61.5	36.7	37	56	52.4	26.2	100	5-6318045-8
NOT AVAILABLE	↑	1000	61.5	33.7	34	56	52.4	26.2	90	
NOT AVAILABLE	↑	1000	49.5	30.7	31	44	40.4	20.2	80	
NOT AVAILABLE	↑	1000	49.5	27.7	28	44	40.4	20.2	70	
NOT AVAILABLE	↑	1000	49.5	24.7	25	44	40.4	20.2	60	
NOT AVAILABLE	↑	1000	37.5	21.7	22	32	28.4	14.2	50	
NOT AVAILABLE	↑	1000	77.5	54.7	55	72	68.4	34.2	160	
NOT AVAILABLE	↑	1000	77.5	48.7	49	72	68.4	34.2	140	
NOT AVAILABLE	↑	1000	61.5	42.7	43	56	52.4	26.2	120	
NOT AVAILABLE	↑	950	61.5	36.7	37	56	52.4	26.2	100	6318045-8
NOT AVAILABLE	↑	1000	61.5	33.7	34	56	52.4	26.2	90	
NOT AVAILABLE	↑	1000	49.5	30.7	31	44	40.4	20.2	80	
NOT AVAILABLE	↑	1000	49.5	27.7	28	44	40.4	20.2	70	
NOT AVAILABLE	↑	1000	49.5	24.7	25	44	40.4	20.2	60	
NOT AVAILABLE	↑	1000	37.5	21.7	22	32	28.4	14.2	50	

THIS PRODUCT WAS COATED BY FLUX-PENETRATION -INHIBITING AGENT.

THIS DRAWING IS A CONTROLLED DOCUMENT.

DIMENSIONS: 單位: 耗 mm	TOLERANCES UNLESS OTHERWISE SPECIFIED: 一般公差	DWN HAWKING HE 13DEC04	TE Connectivity Ltd.	
0 PLC ± 0.2	1 PLC ± 0.2	CHK STEVEN YAO 13DEC04	EMBOSS ASSY	
2 PLC ± 0.2	3 PLC ± 0.2	APVD I.ENOMOTO 13DEC04	FH 0.6 BTB CONNECTOR	
4 PLC ± 0.2	ANGLES ± 5°	NAME I.ENOMOTO	REC 4H W/G-CONT WITH 1ROW CAP	
MATERIAL 材料	FINISH 仕上	PRODUCT SPEC 製品規格 108-60047	SIZE A3	RESTRICTED TO
		APPLICATION SPEC 取付適用規格 114-5255	CAGE CODE 00779	DRAWING NO G=6318045
		WEIGHT	SCALE 尺度 1:1	SHEET 1 OF 4
		CUSTOMER DRAWING		REV B

REVISIONS				
変更				
P	LTR	DESCRIPTION	DATE	APVD
-	-	SEE SHEET 1	-	-

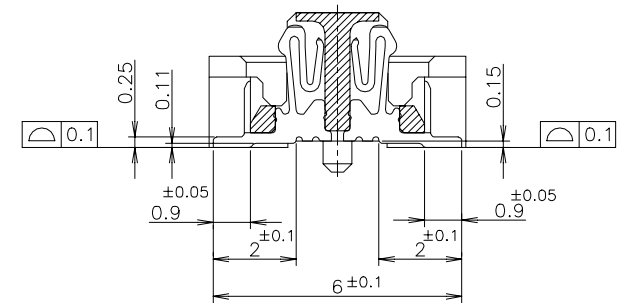
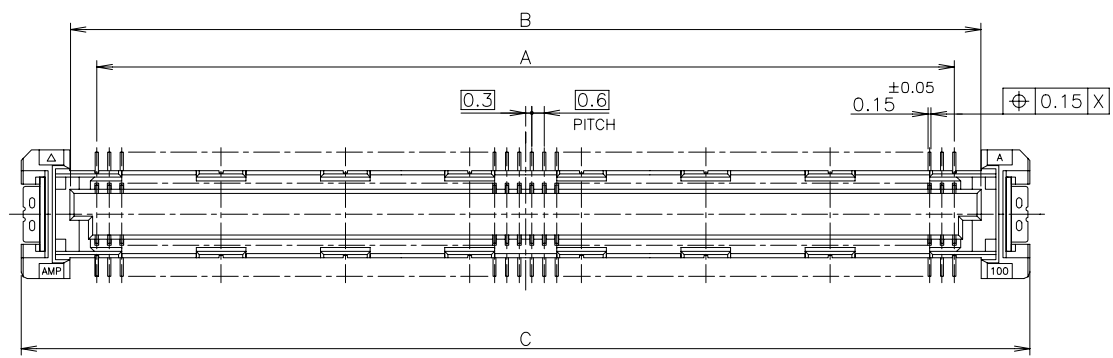


5 CONNECTORS DIMENSION AND REFERENCE P.C BOARD LAYOUT : SEE SHEET 3.

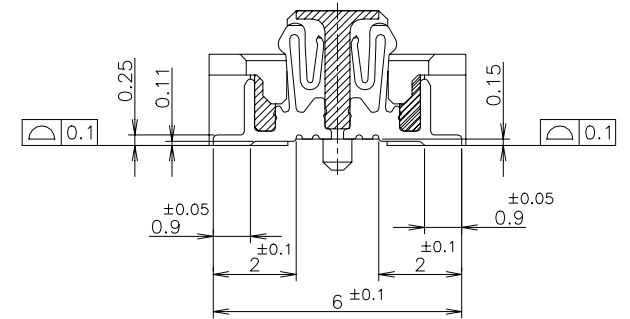
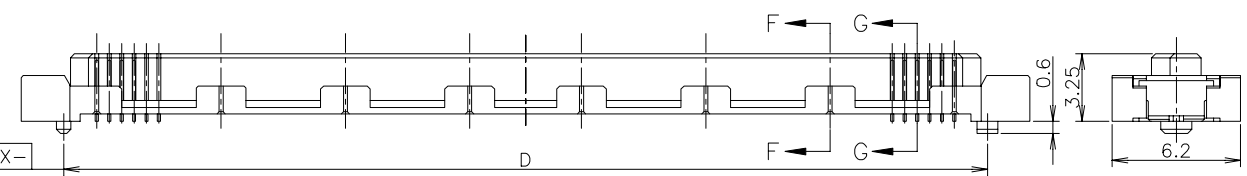
NOT AVAILABLE		160	
↑		140	
NOT AVAILABLE		120	
AVAILABLE	4.5	100	1318041-2
NOT AVAILABLE		90	
TOOLING STATUS	A	POS	CAP P/N

THIS DRAWING IS A CONTROLLED DOCUMENT.		DWN	TE TE Connectivity Ltd.	
DIMENSIONS: 單位: 耗 mm		CHK		
TOLERANCES UNLESS OTHERWISE SPECIFIED: 一般公差		APVD	NAME 名称	
0 PLC ± 0.2		PRODUCT SPEC 製品規格	EMBOSS ASSY	
1 PLC ± 0.2		APPLICATION SPEC 取付適用規格	FH 0.6 BTB CONNECTOR	
2 PLC ± 0.2		WEIGHT	REC 4H W/G-CONT WITH 1ROW CAP	
3 PLC ± 0.2		CUSTOMER DRAWING	SIZE A3	DRAWING NO 番号 G=6318045
4 PLC ± 0.2			CAGE CODE 00779	RESTRICTED TO
4 ANGLES ± 0.3			SCALE 尺度 4:1	SHEET 2 OF 4
MATERIAL 材料	FINISH 仕上			REV B

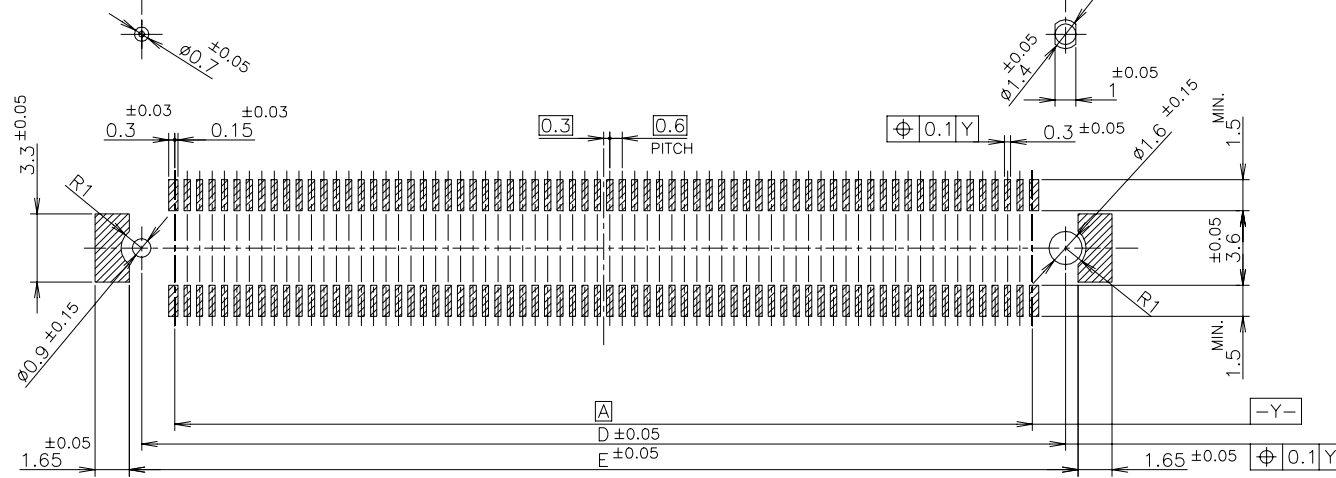
P	LTR	DESCRIPTION	DATE	DWN	APVD
-	-	SEE SHEET 1	-	-	-



G-G
(SIGNAL POSITION)
(SCALE 8:1)



F-F
(GROUND POSITION)
(SCALE 8:1)



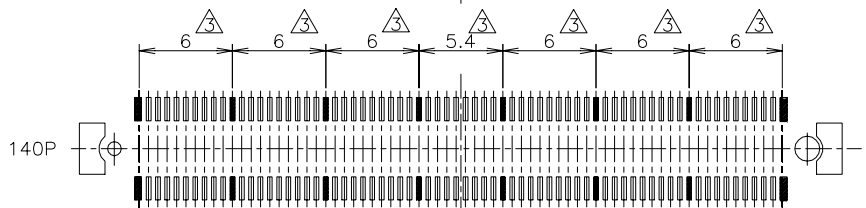
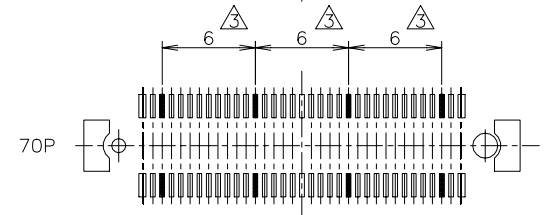
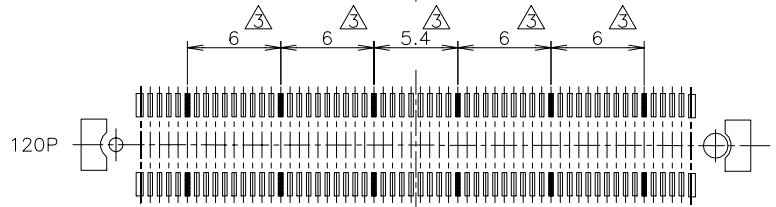
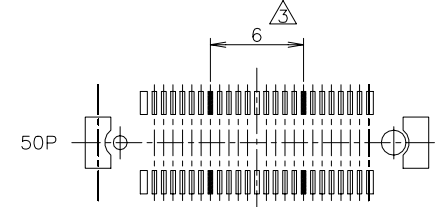
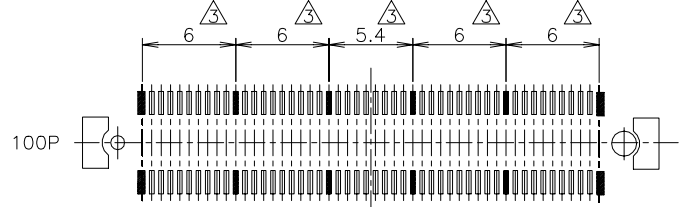
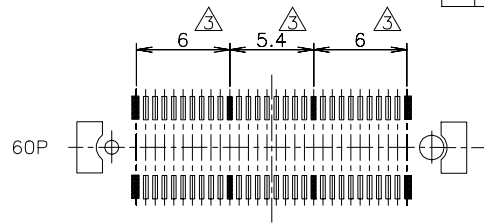
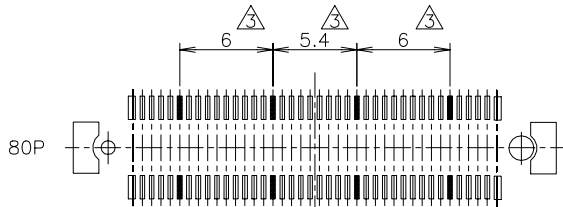
REFERENCE P.C. BOARD LAYOUT

AVAILABLE	51.8	50.6	54.7	50	47.4	160
AVAILABLE	45.8	44.6	48.7	44	41.4	140
NOT AVAILABLE	39.8	38.6	42.7	38	35.4	120
AVAILABLE	33.8	32.6	36.7	32	29.4	100
NOT AVAILABLE	30.8	29.6	33.7	29	26.4	90
AVAILABLE	27.8	26.6	30.7	26	23.4	80
↑	24.8	23.6	27.7	23	20.4	70
↑	21.8	20.6	24.7	20	17.4	60
AVAILABLE	18.8	17.6	21.7	17	14.4	50
TOOLING STATUS	E	D	C	B	A	POS

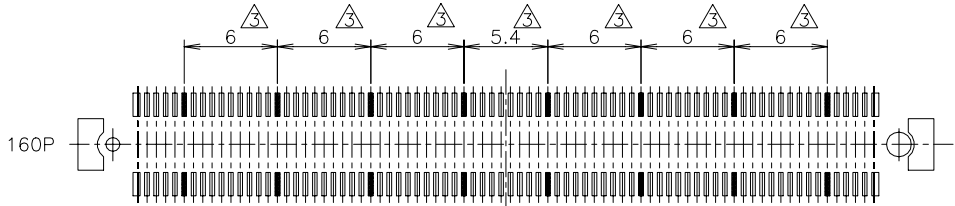
THIS DRAWING IS A CONTROLLED DOCUMENT.

DIMENSIONS: 單位: 耗 mm	TOLERANCES UNLESS OTHERWISE SPECIFIED: 一般公差	DWN	TE Connectivity Ltd. EMBOSS ASSY FH 0.6 BTB CONNECTOR REC 4H W/G-CONT WITH 1ROW CAP
	0 PLC ± 0.3 1 PLC ± 0.3 2 PLC ± 0.3 3 PLC ± 0.3 4 PLC ± 0.3 ANGLES ± 3°	CHK	
MATERIAL 材料	FINISH 仕上	APVD	
		PRODUCT SPEC 製品規格	
		APPLICATION SPEC 取付適用規格	
		WEIGHT	NAME 名称
		CUSTOMER DRAWING	SIZE A3
			CAGE CODE 00779
			DRAWING NO G=6318045
			RESTRICTED TO
			SCALE 尺度 4:1
			SHEET 3 OF 4
			REV B

REVISIONS				
変更				
P	LTR	DESCRIPTION	DATE	DWN
-	-	SEE SHEET 1	-	-



- △ MATERIAL ; HOUSING : HIGH TEMP THERMO PLASTIC
UL94V-0
- △ FINISH ; CONTACT : COPPER ALLOY
- CONTACT AREA 0.0013mm MIN ALL OVER.
- CONTACT AREA 0.0002 MIN Au PL.
- SOLDERING AREA: SIGNAL POS 0.00005 MIN Au PL.
- ⓑ GROUND POS 0.00005 MIN Au PL.
- △ THIS POSITION IS GROUND CIRCUIT.



THIS DRAWING IS A CONTROLLED DOCUMENT.		DWN	 TE Connectivity Ltd.	NAME 名称 EMOSS ASSY FH 0.6 BTB CONNECTOR REC 4H W/G-CONT WITH 1ROW CAP	
DIMENSIONS: 单位: 耗 mm	TOLERANCES UNLESS OTHERWISE SPECIFIED: 一般公差	CHK			PRODUCT SPEC 製品规格
0 PLC ± 0.3 1 PLC ± 0.3 2 PLC ± 0.3 3 PLC ± 0.3 4 PLC ± 0.3 ANGLES ± 3°	FINISH 仕上	APVD			APPLICATION SPEC 取付適用规格
MATERIAL 材料		WEIGHT			SIZE CAGE CODE DRAWING NO 番号 A3 00779 G=6318045
		CUSTOMER DRAWING	RESTRICTED TO	SCALE 尺度 3:1	
				SHEET 4 OF 4	
				REV B	