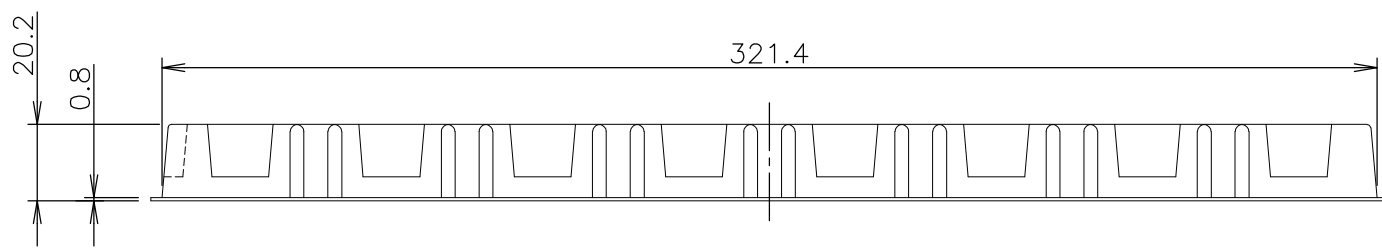
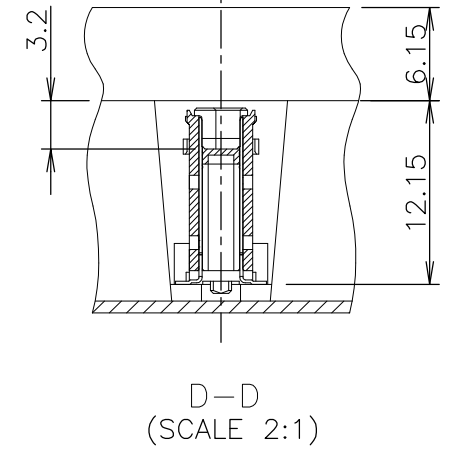
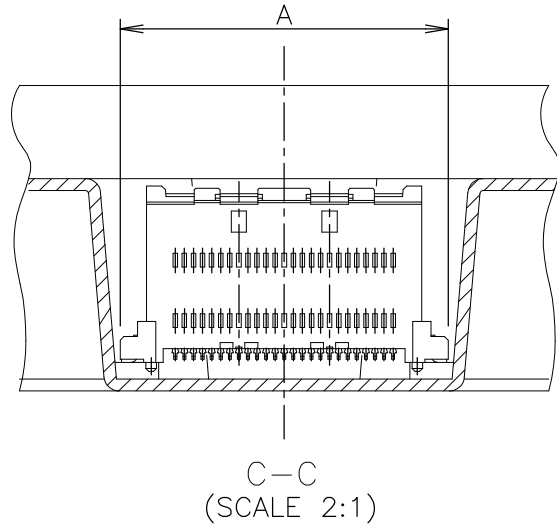
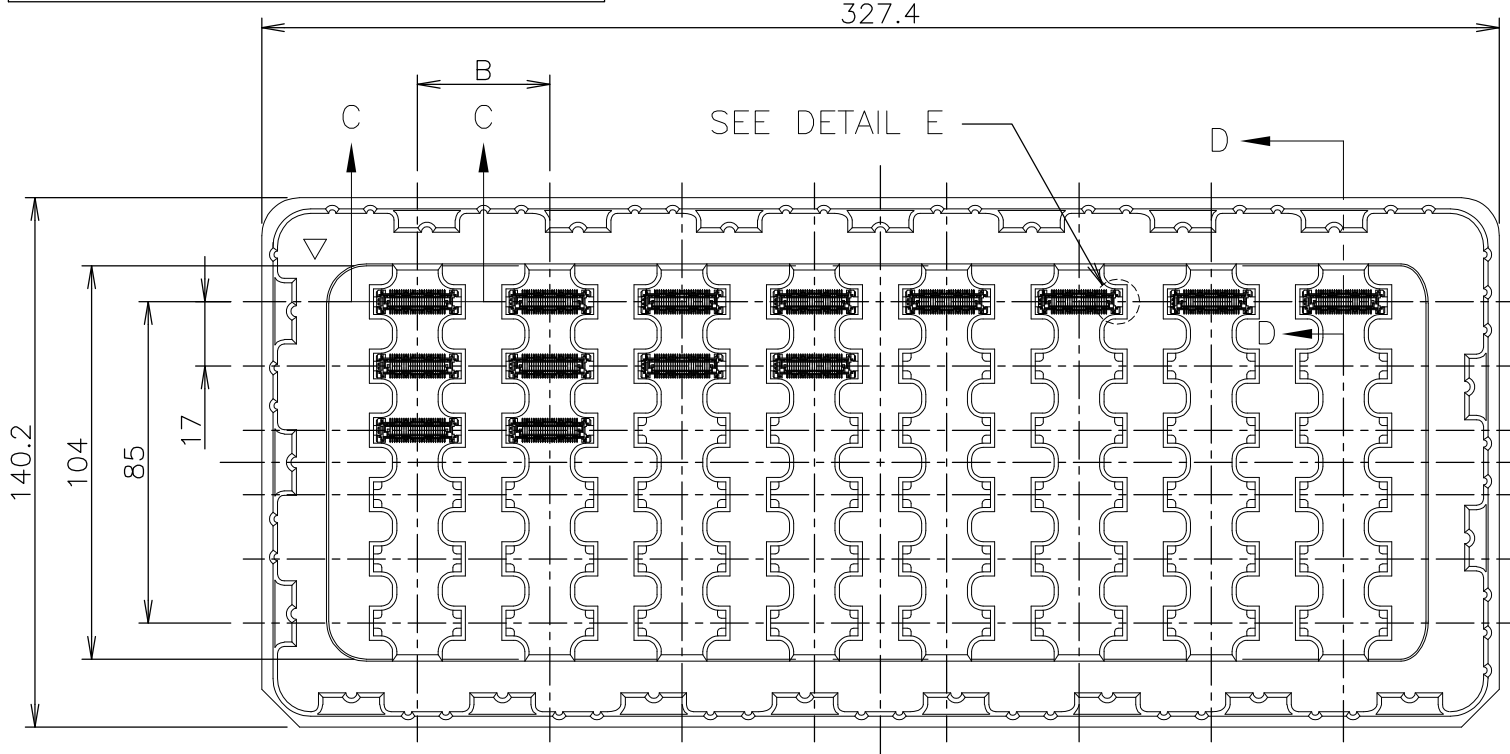


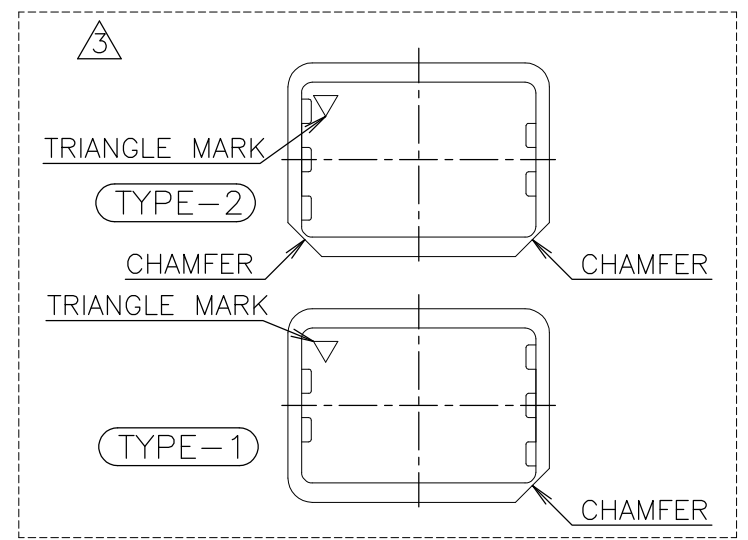
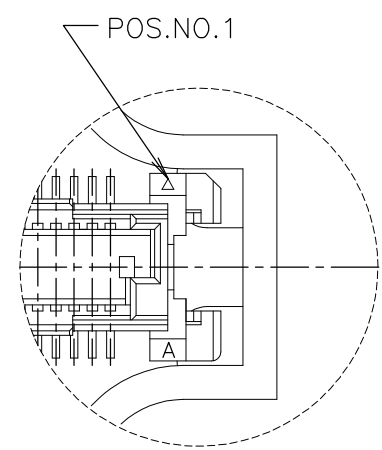
THIS DRAWING IS UNPUBLISHED. RELEASED FOR PUBLICATION NOV, 1998.  
 © COPYRIGHT 1998 BY TYCO ELECTRONICS CORPORATION. ALL RIGHTS RESERVED.

LOC	DIST	REVISIONS			DATE	DWN	APVD
J		P	LTR	DESCRIPTION			
		A	REVISED	ECR-08-000339	01FEB08	T.T	T.F

AS SHOWN : TYPE-2



△ TRAY TYPE-1 AND TYPE-2 MUST BE  
 PILED UP BY TURNS.  
 (REFER TO PACKING SPECIFICATIONS)



DETAIL E  
(SCALE 4:1)

GENERAL TOLERANCE  
一般公差

10 ≥	±0.2
30 ≥	>10: ±0.25
100 ≥	>30: ±0.3
ANGLES: ±3°	

THIS DRAWING IS A CONTROLLED DOCUMENT.		DWN WENKE HE 11JUN05		Tyco Electronics Corporation		Tyco Electronics Corporation		Kawasaki, Japan	
DIMENSIONS: 単位: 耗 mm		TOLERANCES UNLESS OTHERWISE SPECIFIED: 一般公差		CHK GAVIN ZHANG 11JUN05		APVD STEVEN YAO 11JUN05		NAME 名称	
MATERIAL 材料		FINISH 仕上		PRODUCT SPEC 製品規格 108-60047		APPLICATION SPEC 取付適用規格 114-5255		SEMI HARD TRAY ASSY UIC FH 0.6BTB CONN PLUG 12H	
NON SEALANT AVAILABLE 8 48 35 21.7 50 4-912074-3 6318026-3		SEALANT TOOLING STATUS LOW QTY B A POS. TRAY P/N PART NO.		SIZE A3		CAGE CODE 00779		DRAWING NO 番号 C-6318026	
CUSTOMER DRAWING		SCALE 尺度 1:2		SHEET 1 OF 3		REV A		RESTRICTED TO	

4

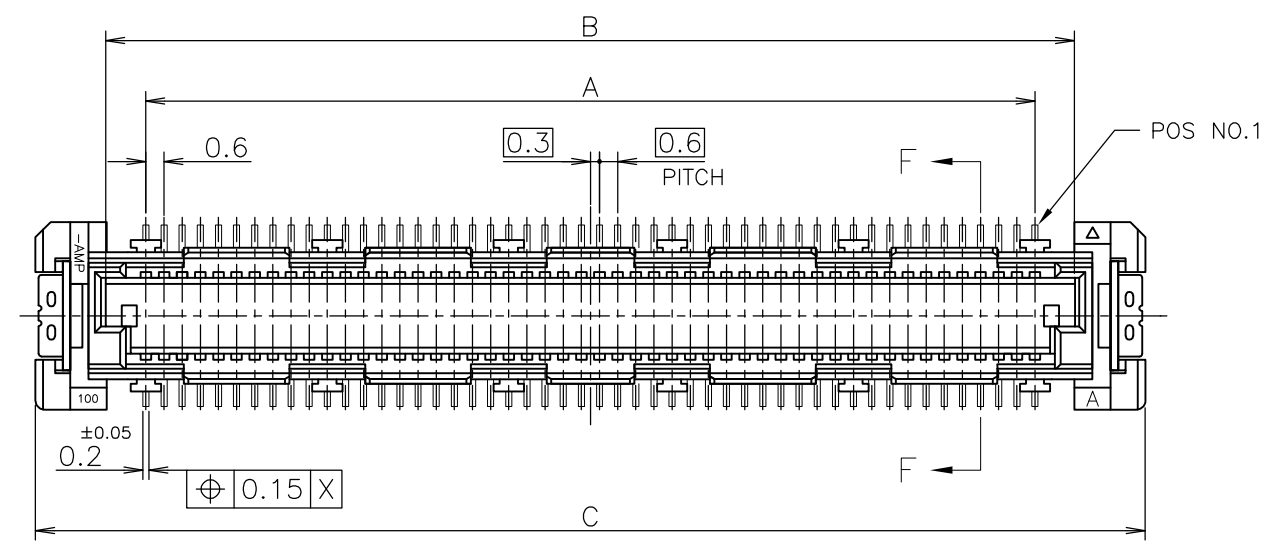
3

2

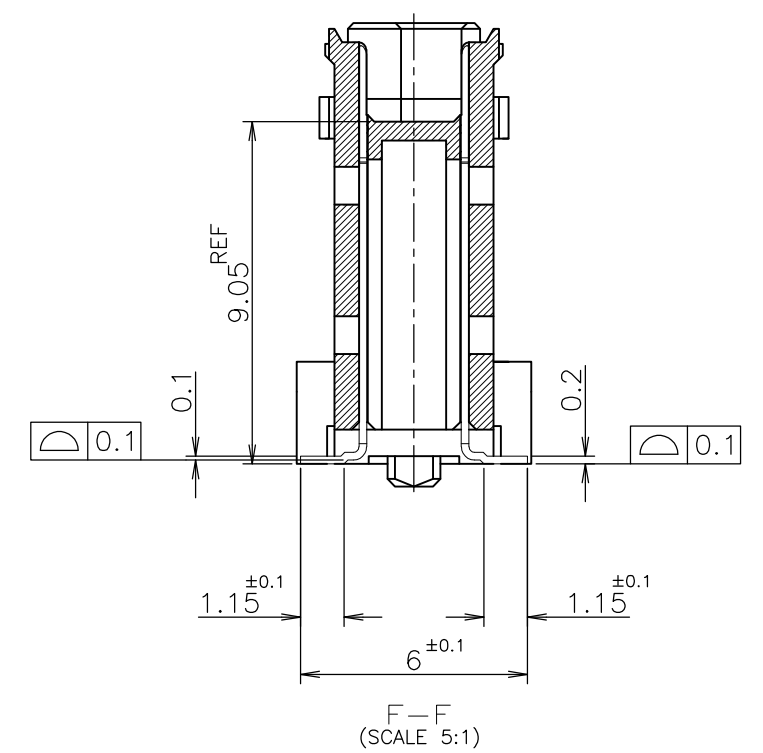
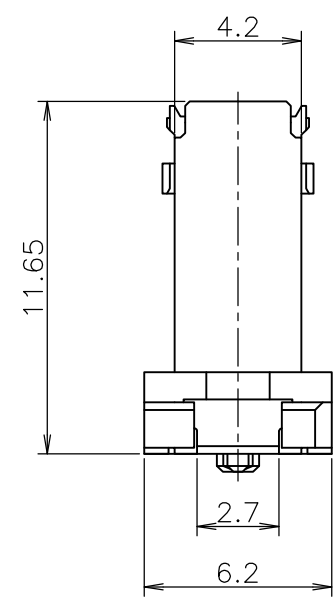
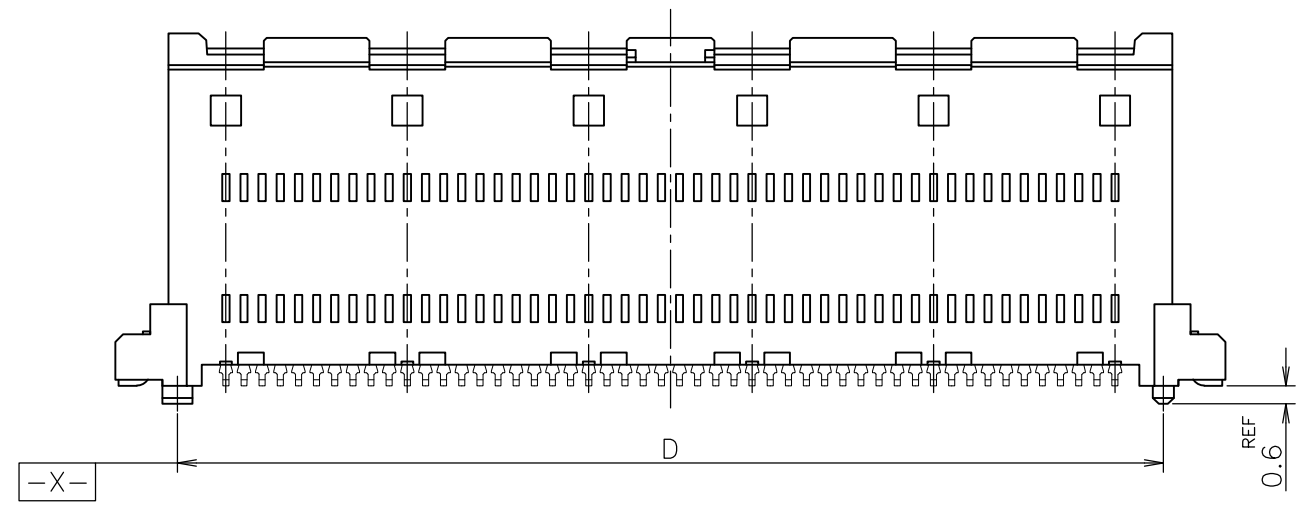
1

THIS DRAWING IS UNPUBLISHED. RELEASED FOR PUBLICATION NOV, 1998.  
 © COPYRIGHT 1998 BY TYCO ELECTRONICS CORPORATION. ALL RIGHTS RESERVED.

LOC	DIST	REVISIONS					
J		P	LTR	DESCRIPTION	DATE	DWN	APVD
			-	SEE SHEET 1	-	-	-



△ MATERIAL ; HOUSING : HIGH TEMP THERMO PLASTIC  
 UL94V-0  
 CONTACT : COPPER ALLOY  
 △ FINISH ; UNDER PL Ni 0.0013mm MIN ALL OVER.  
 CONTACT AREA 0.0002 MIN Au PL.  
 SOLDERING AREA 0.001 MIN Sn.

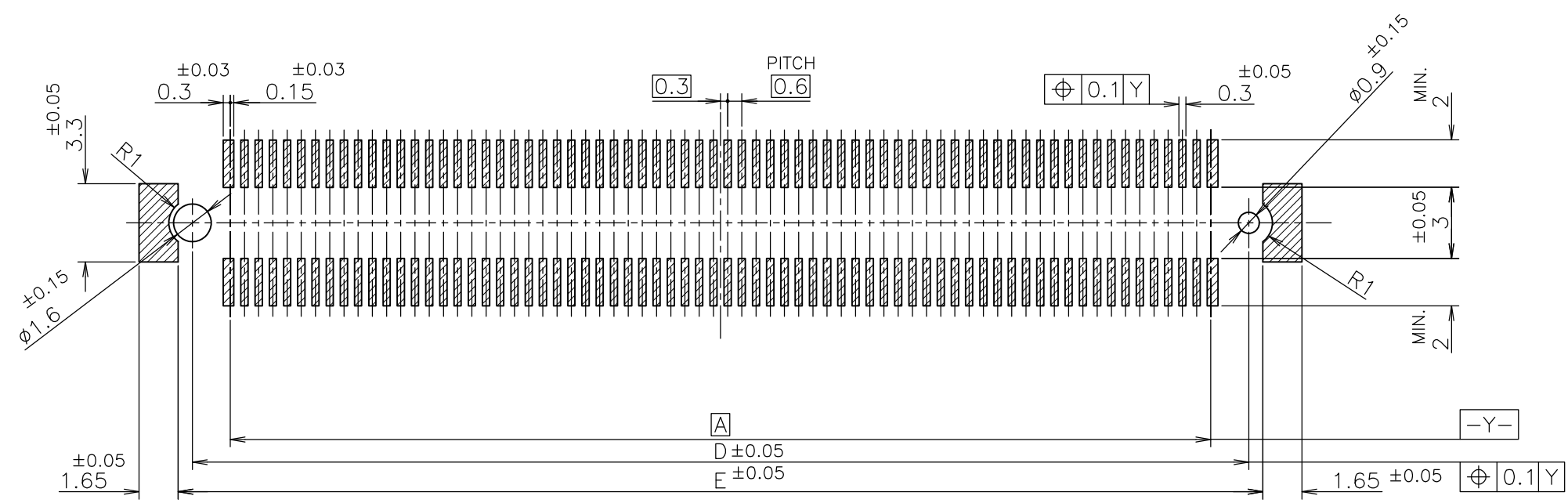


AVAILABLE	18.8	17.6	21.7	17	14.4	50	6318026-3
TOOLING STATUS	E	D	C	B	A	POS.	PART NO.

THIS DRAWING IS A CONTROLLED DOCUMENT.		DWN	Tyco Electronics Corporation Kawasaki, Japan	
DIMENSIONS: 単位: 耗 mm	TOLERANCES UNLESS OTHERWISE SPECIFIED: 一般公差	CHK	NAME 名称	
	0 PLC ± 0.3	APVD	SEMI HARD TRAY ASSY UIC FH 0.6BTB CONN PLUG 12H	
	1 PLC ± 0.3	PRODUCT SPEC 製品規格	SIZE	CAGE CODE
2 PLC ± 0.3	4 PLC ANGLES ± 3'	APPLICATION SPEC 取付適用規格	A3	00779
3 PLC ± 0.3	FINISH 仕上	WEIGHT	DRAWING NO 番号	
4 PLC ± 0.3	△	CUSTOMER DRAWING	G-6318026	
MATERIAL 材料	△	SCALE 尺度	RESTRICTED TO	
		4:1	REV A	
		SHEET	REV	
		2 OF 3	A	

THIS DRAWING IS UNPUBLISHED. RELEASED FOR PUBLICATION NOV , 1998.  
 © COPYRIGHT 1998 BY TYCO ELECTRONICS CORPORATION. ALL RIGHTS RESERVED.

LOC	DIST	REVISIONS		
J		P	LTR	DESCRIPTION
				DATE
				DWN
				APVD



REFERENCE P.C.BOARD LAYOUT  
(VIEW FROM CONN. MOUNTING SIDE)

THIS DRAWING IS A CONTROLLED DOCUMENT.		DWN	Tyco Electronics Corporation Kawasaki, Japan		
DIMENSIONS: 単位: 耗 mm		CHK	NAME 名称		
TOLERANCES UNLESS OTHERWISE SPECIFIED: 一般公差		APVD	SEMI HARD TRAY ASSY UIC FH 0.6BTB CONN PLUG 12H		
0 PLC ± 0.3 1 PLC ± 0.3 2 PLC ± 0.3 3 PLC ± 0.3 4 PLC ± 0.3 ANGLES ± 3'		PRODUCT SPEC 製品規格	SIZE	CAGE CODE	DRAWING NO 番号
MATERIAL 材料		APPLICATION SPEC 取付適用規格	A3	00779	G-6318026
FINISH 仕上		WEIGHT	RESTRICTED TO		
CUSTOMER DRAWING			SCALE 尺度	SHEET	REV
			4:1	3 OF 3	A