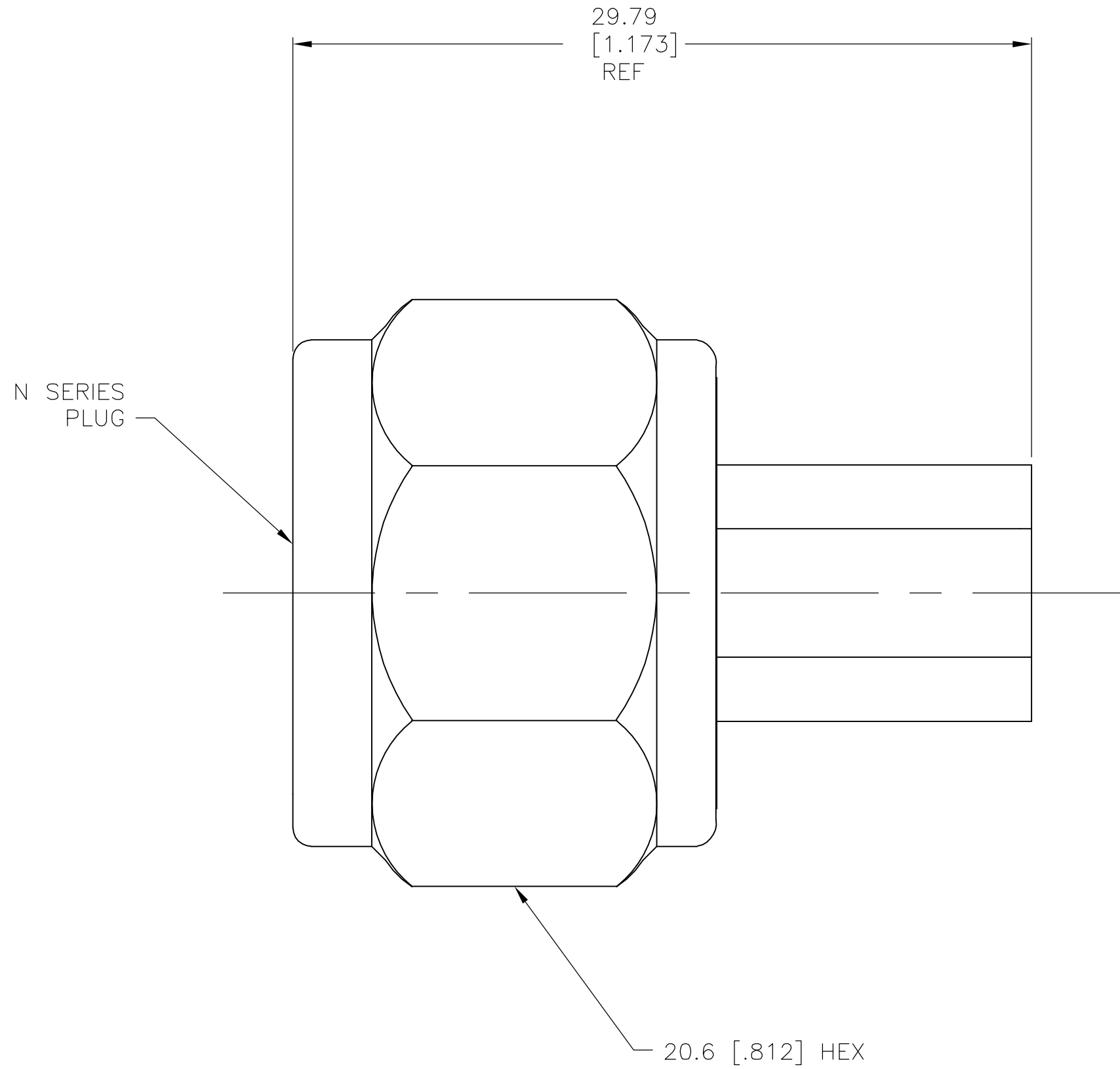
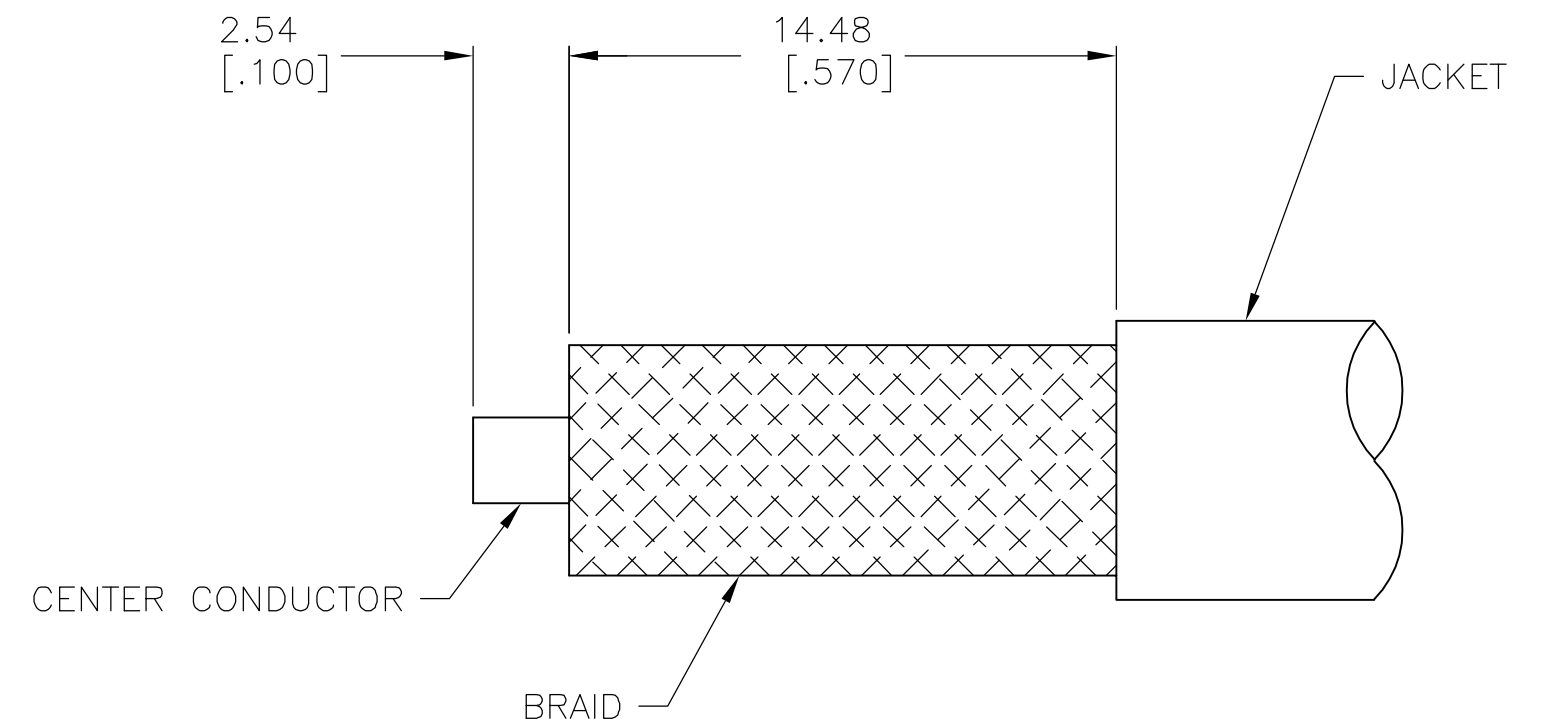


THIS DRAWING IS UNPUBLISHED. RELEASED FOR PUBLICATION
 © COPYRIGHT BY TYCO ELECTRONICS CORPORATION. ALL RIGHTS RESERVED.

LOC		DIST		REVISIONS			
P	LTR	DESCRIPTION		DATE	DWN	APVD	
AJ	16	A		REV PER ECO 06-002539	07APR06	GB	JH



- 1 MATERIALS:
 CENTER CONTACT, HOUSING, COUPLING NUT: BRASS PER ASTM B 16
 DIELECTRIC: PTFE PER ASTM D 1710
 RETAINING RING: PHOSPHOR BRONZE PER ASTM B 103
 GASKET: SILICONE RUBBER PER ZZ-R-765
 FERRULE: COPPER OR BRASS ALLOY
- 2 FINISHES:
 CENTER CONTACT: SEE TABLE
 HOUSING: SILVER PLATE PER ASTM B 700
 COUPLING NUT: NICKEL PLATE PER QQ-N-290
 FERRULE: TIN PLATE PER ASTM B 545
3. CABLE TYPE: MA318 LOW LOSS ϕ 8.13 [.320] CABLE.
4. FERRULE CRIMP: 9.75 [.384] HEX.



CABLE STRIP LENGTH

GOLD PLATE PER ASTM B 488	1402887-3	1402924-1	9-1402706-0	---	6314078-2
SILVER PLATE PER ASTM B 700	9-1402887-0	1402924-1	9-1402706-0	1599-5019	6314078-1
CENTER CONTACT FINISH	CONTACT	FERRULE	PLUG ASSY	M/A-COM PN REF	PART NUMBER

THIS DRAWING IS A CONTROLLED DOCUMENT.		DWN	J. HAVENER	13OCT2005	 Tyco Electronics Corporation Harrisburg, PA 17105-3608
DIMENSIONS: mm [INCHES]		CHK	J. HAVENER	13OCT2005	
TOLERANCES UNLESS OTHERWISE SPECIFIED:		APVD	G. MICHAEL	13OCT2005	
0 PLC ± - 1 PLC ± - 2 PLC ± 0.13 [.005] 3 PLC ± - 4 PLC ± - ANGLES ± -		PRODUCT SPEC	NAME		
MATERIAL		APPLICATION SPEC	408-8402		N SERIES STRAIGHT CABLE PLUG FOR MA318 CABLE
FINISH		WEIGHT	-		SIZE
1		CUSTOMER DRAWING		SCALE	5:1
2		SHEET		1 of 1	
REV		A		RESTRICTED TO	