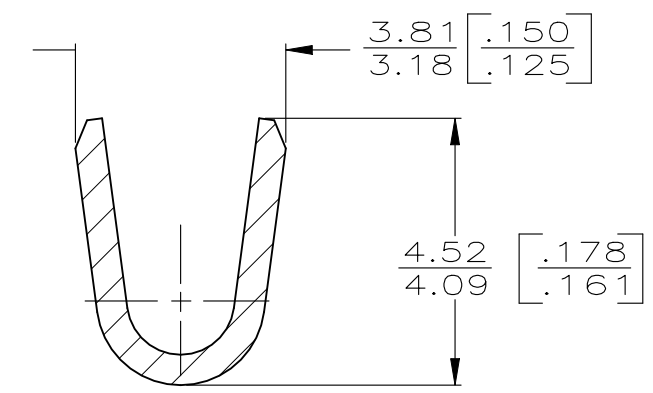
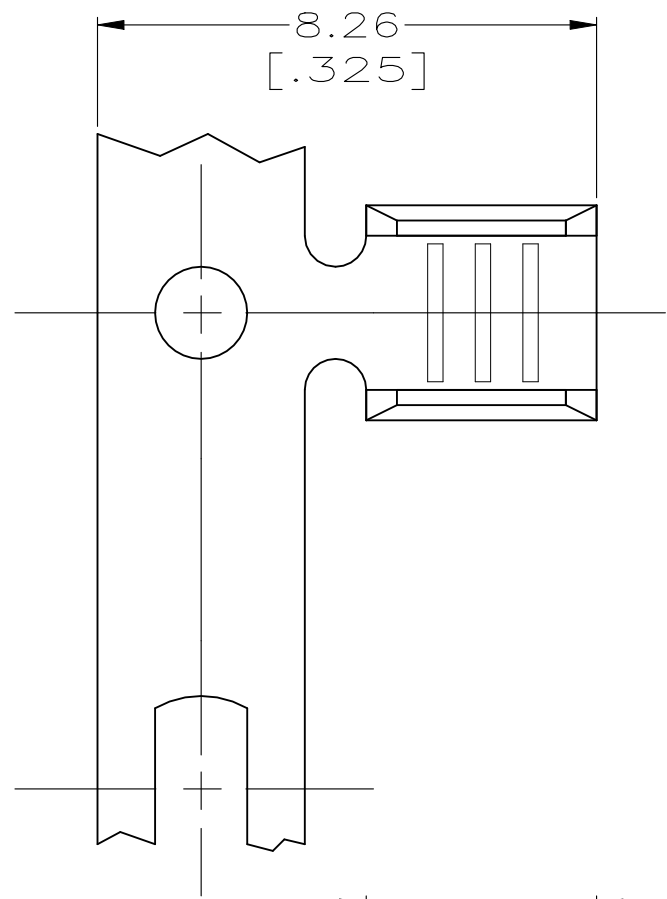
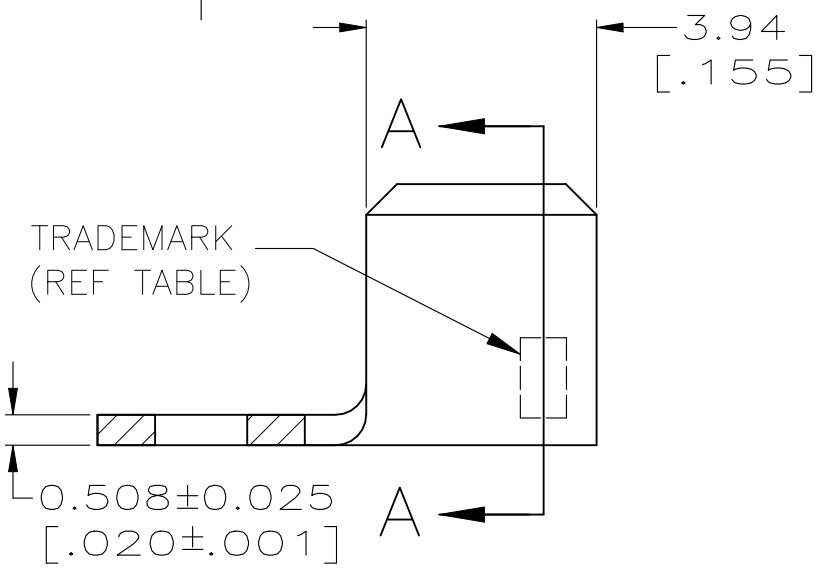


REVISIONS				
P	LTR	DESCRIPTION	DATE	APVD
	L8	PER ECR-23-172954	21APR2023	GK RE



SECTION A-A
SCALE 10:1



- 1 PRODUCT PROVIDED IN STRIP FORM ON REELS, BREAKS MAY BE PRESENT.
- 2 CRIMP WIDTH, .110 F TYPE
CRIMP HEIGHT (±.002) = (TOTAL CMA + 11,300) / 176,700
- 3 PRELIMINARY - NOT FOR PRODUCTION.
- 4 WIRE RANGE FOR NEW APPLICATIONS: 1500-5000 CMA (WIRE RANGE APPROVED FOR APPLICATIONS IMPLEMENTED PRIOR TO 2005: 1970-4940 CMA).
- 5 OBSOLETE PARTS: OBSOLETE CIS STREAMLINING PER D.RENAUD/D.SINISI
- 6 CUSTOMER SPECIAL PACKAGING AND LABELING

6	BRASS	NONE	REVERSE	AMP	1-63130-0
	BRASS	TIN			63130-9
	STEEL	NICKEL			3 63130-8
	COPPER-NICKEL	NONE			3 63130-7
	5 OBSOLETE PHOS BRONZE	TIN			63130-4
OBSOLETE	BRASS	NONE	STANDARD	AMP	63130-3
					63130-2
					63130-1
	MATERIAL	FINISH	REELING	TRADEMARK	PART NUMBER

THIS DRAWING IS A CONTROLLED DOCUMENT.		DWN 17/JAN/96 PHILLIP M FORTNEY	STE TE Connectivity		
		CHK 17/JAN/96 JEFF R RUTH			
DIMENSIONS: INCHES		APVD 17/JAN/96 DENNIS SCHWENK	NAME SPLICE		
TOLERANCES UNLESS OTHERWISE SPECIFIED:		PRODUCT SPEC 108-106466	RESTRICTED TO		
0 PLC ± -		APPLICATION SPEC 114-2088	SIZE	CAGE CODE	DRAWING NO
1 PLC ± -		WEIGHT	A3	00779	C-63130
2 PLC ± 0.25 [.010]		CUSTOMER DRAWING			
3 PLC ± -		SCALE	8:1	SHEET	1 OF 1
4 PLC ± -		REV L8			
ANGLES ± -					
MATERIAL SEE TABLE	FINISH SEE TABLE				