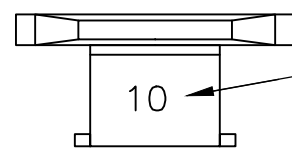


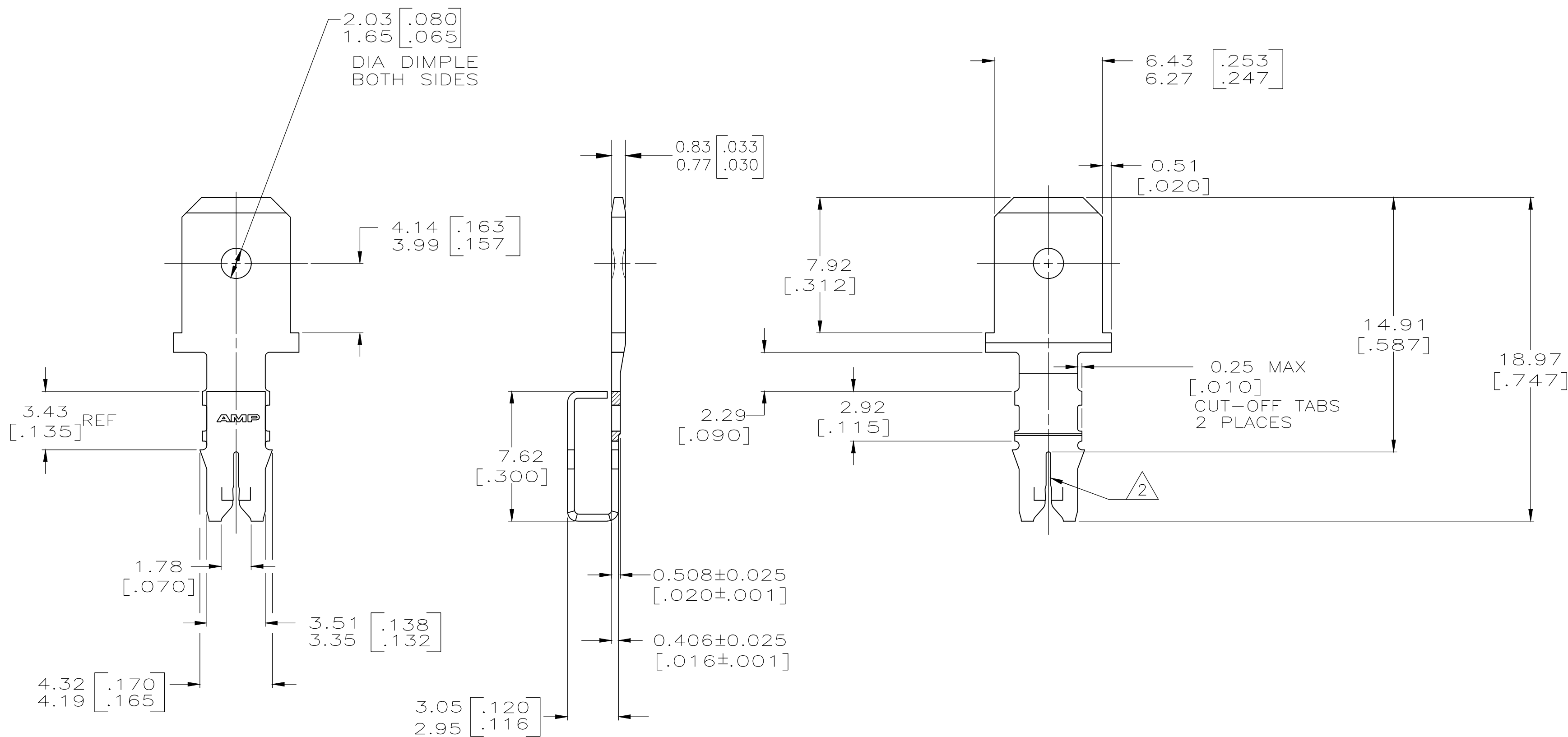
THIS DRAWING IS UNPUBLISHED. RELEASED FOR PUBLICATION
 © COPYRIGHT - By - ALL RIGHTS RESERVED.

LOC	DIST	REVISIONS			
P	LTR	DESCRIPTION	DATE	DWN	APVD
AF	50	B2	REVISED PER ECR-19-013909	30SEP2019	PC MB



IDENTIFICATION NUMBER 10 FOR
MAGNET WIRE RANGE

- CONTINUOUS STRIP ON REELS WITH TERMINALS LOCATED ON 8.38 ± 0.08 [$.330 \pm .003$] CENTERS.
- SLOT TERMINATES EITHER SINGLE OR DOUBLE MAGNET WIRES OF THE SAME TYPE AND SIZE, COPPER RANGE IS 0.36-0.57mm [#27-#23] AWG. ALUMINIUM RANGE 0.51-0.64mm [#24-#22] AWG. ALUMINIUM WIRE RANGE APPLIES FOR POST TIN PLATED PART NUMBERS ONLY.
- AFTER INSERTION INTO PLASTIC HOLDER TAB PORTION MUST BE BENT OVER 45° TO 90° OR POTTED-IN TO PREVENT PULL-OUT WHEN MATING RECEPTACLE IS DISCONNECTED.



62657-1
PART NO

THIS DRAWING IS A CONTROLLED DOCUMENT.		DWN 13/MAR/95 MICHAEL S. FEHER		
DIMENSIONS: INCHES		CHK 14/MAR/95 RICHARD GRZYBOWSKI		
TOLERANCES UNLESS OTHERWISE SPECIFIED:		APVD 23/MAR/95 NELSON E. NEFF	NAME	
0 PLC ± -		PRODUCT SPEC	TAB,	
1 PLC ± -		108-2012	6.35 [.250] FASTON,™	
2 PLC ± 0.25 [.010]		APPLICATION SPEC	LOOSE PIECE, MAG-MATE™	
3 PLC ± -		114-2046	SIZE	CAGE CODE
4 PLC ± -		WEIGHT -	A2	00779
ANGLES ± -		CUSTOMER DRAWING	DRAWING NO	RESTRICTED TO
MATERIAL BRASS	FINISH TIN PLATE	SCALE 5:1	C=62657	-
		SHEET 1 of 1	REV B2	