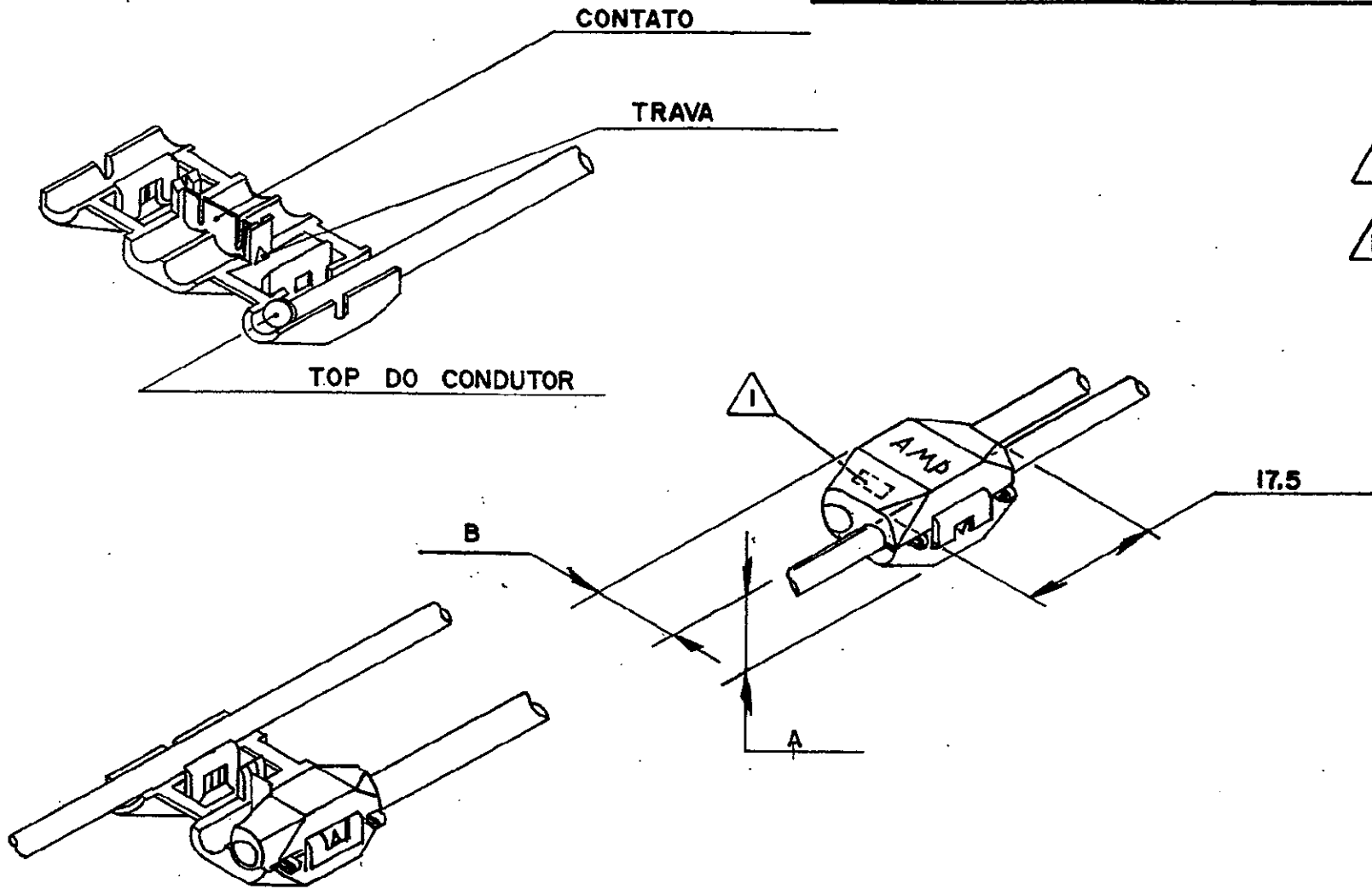


C 626439

DWG NO.		DO NOT SCALE		METRIC		3rd ANGLE PROJECTION	
		DIMENSIONS IN mm.					
REQ. PER ASSY	ITEM	DESCRIPTION	MATERIAL	FINISH			



- ⚠ GRAVAR BITOLA DE FIOS DE ACORDO COM TABELA ABAIXO.
- ⚠ ENGRAVE WIRE DIMENSION ACC. TO TABLE BELLOW.

↑	↑	↑	↑	↑	↑	↑	↑
16,2	11,8	5	4,0-6,0	BLACK	NYLON 6/6 UV PROTECTED		626439-2
B	A	∅ MAX. ISOLATING mm	WIRE DIM. mm	YELLOW	NYLON 6/6	TIN BRASS	626439-1
				COLOUR	ISOLATOR	CONTACT	PART NUMBER

CUSTOMER DWG
for REFERENCE ONLY

THIS DRAWING IS UNPUBLISHED RELEASED FOR PUBLICATION
 © COPYRIGHT 19 BY AMP DO BRASIL LTDA S.P. ALL INTERNATIONAL RIGHTS RESERVED AMP PRODUCTS MAY BE COVERED BY U.S. AND FOREIGN PATENTS AND/OR PATENTS PENDING.

TOLERANCES UNLESS OTHERWISE STATED
 DEC. ± 1,0
 ANGLES ± 1°

DR. 04 DEC 97
 C.A.FERNANDES
 CHK. J.A.VIEIRA
 DE.

AMP AMP do BRASIL LTDA.
 São Paulo, Brasil

DESCRIPTION
 ELECTRO-TAP

ISS	REVISION	RECORD	ECN	DR	DATE	APP.	DWG NO.	SHEET
						J.A.LA SALVIA	A3 C 626439	1 OF 1