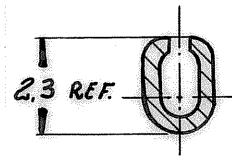
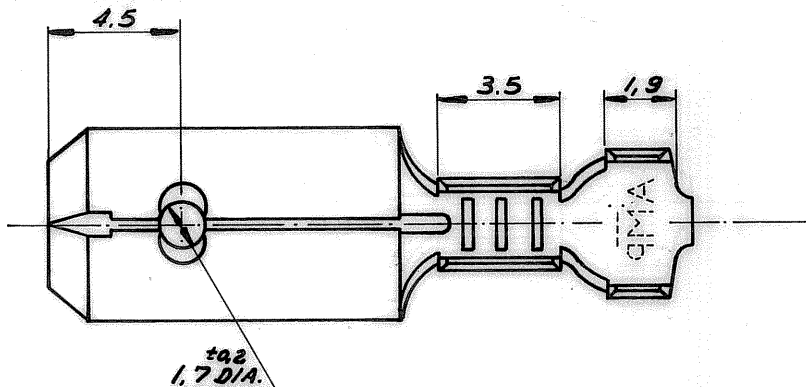


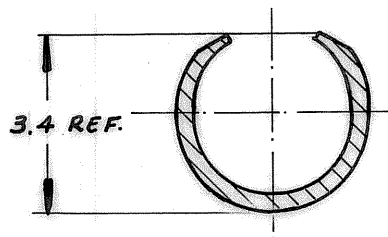
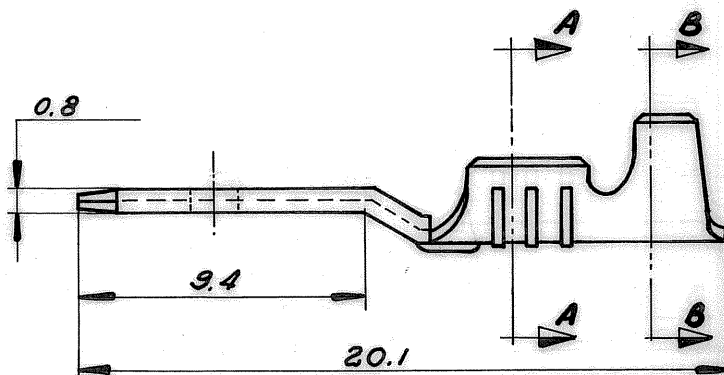
© Copyright 1978 by AMP DO BRASIL - S. P. All International Rights Reserved. AMP Incorporated products covered by U. S. and Foreign patents and/or patents pending.

REVISIONS

LTR	DESCRIPTION	DATE	APPROVED	P/F
C1	REV. ECO 10. 016285	02DEC.10	W.L.S.	



SECCÃO A-A



SECCÃO B-B

G26377-2	POS-ESTANHADO	LATÃO	G26417-2
G26377-1	— / —	LATÃO	G26417-1
P. N. EM FITA	ACABAMENTO	MATERIAL	PART NO

UNLESS OTHERWISE SPECIFIED DIMENSIONS ARE IN **mm**
 TOLERANCES ON:
 DECIMALS ±
 ANGLES ±

CONTRACT NO
 DR **P.V. Rossi 23-11-78**
 CHK *[Signature]* 27.11.78

TOLERANCE

± 0.5



TYCO ELECTRONICS DO BRASIL LTDA
 São Paulo - Brasil

MATERIAL
VER TABELA

APPD

NAME

.250 SERIES FASTON TAB

FINISH
VER TABELA

WIRERANGE
22 - 18 AWG
 INS. RANGE
φ 2.0 - 3.0 mm

SIZE LOC DRAWING NO

A

AP.

G26417

SCALE **4:1**

SHEET

REV. **C1**